



Chipsmall Limited consists of a professional team with an average of over 10 year of expertise in the distribution of electronic components. Based in Hongkong, we have already established firm and mutual-benefit business relationships with customers from,Europe,America and south Asia,supplying obsolete and hard-to-find components to meet their specific needs.

With the principle of "Quality Parts,Customers Priority,Honest Operation,and Considerate Service",our business mainly focus on the distribution of electronic components. Line cards we deal with include Microchip,ALPS,ROHM,Xilinx,Pulse,ON,Everlight and Freescale. Main products comprise IC,Modules,Potentiometer,IC Socket,Relay,Connector.Our parts cover such applications as commercial,industrial, and automotives areas.

We are looking forward to setting up business relationship with you and hope to provide you with the best service and solution. Let us make a better world for our industry!



Contact us

Tel: +86-755-8981 8866 Fax: +86-755-8427 6832

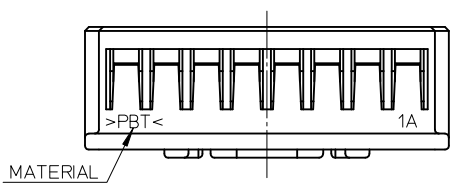
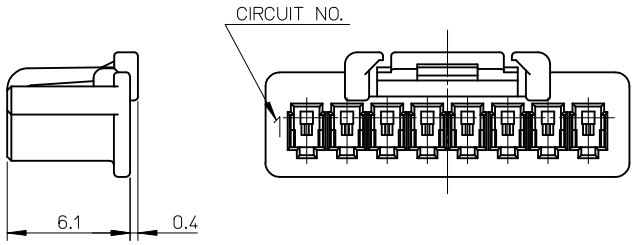
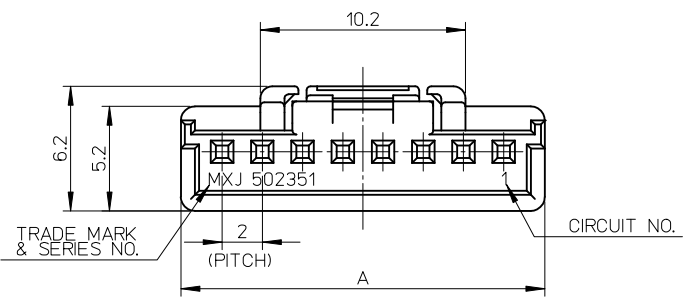
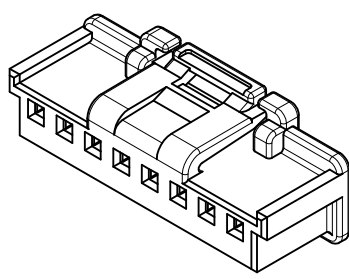
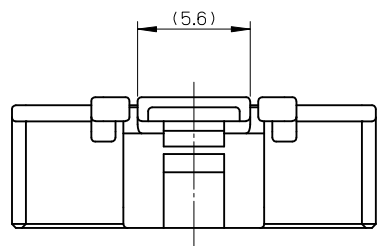
Email & Skype: info@chipsmall.com Web: www.chipsmall.com

Address: A1208, Overseas Decoration Building, #122 Zhenhua RD., Futian, Shenzhen, China



NOTES

- 1. 材質: PBT
MATERIAL: PBT
- 2. 色: 白
COLOR: WHITE
- 3. 適合端子: 50212, 50372, 56161シリーズ
APPLICABLE TERMINAL: 50212, 50372, 56161 SERIES
- 4. 嵌合相手: 502352, 560020シリーズ
MATES WITH: 502352, 560020 SERIES
- 5. ELV及びRoHS適合品
ELV AND RoHS COMPLIANT

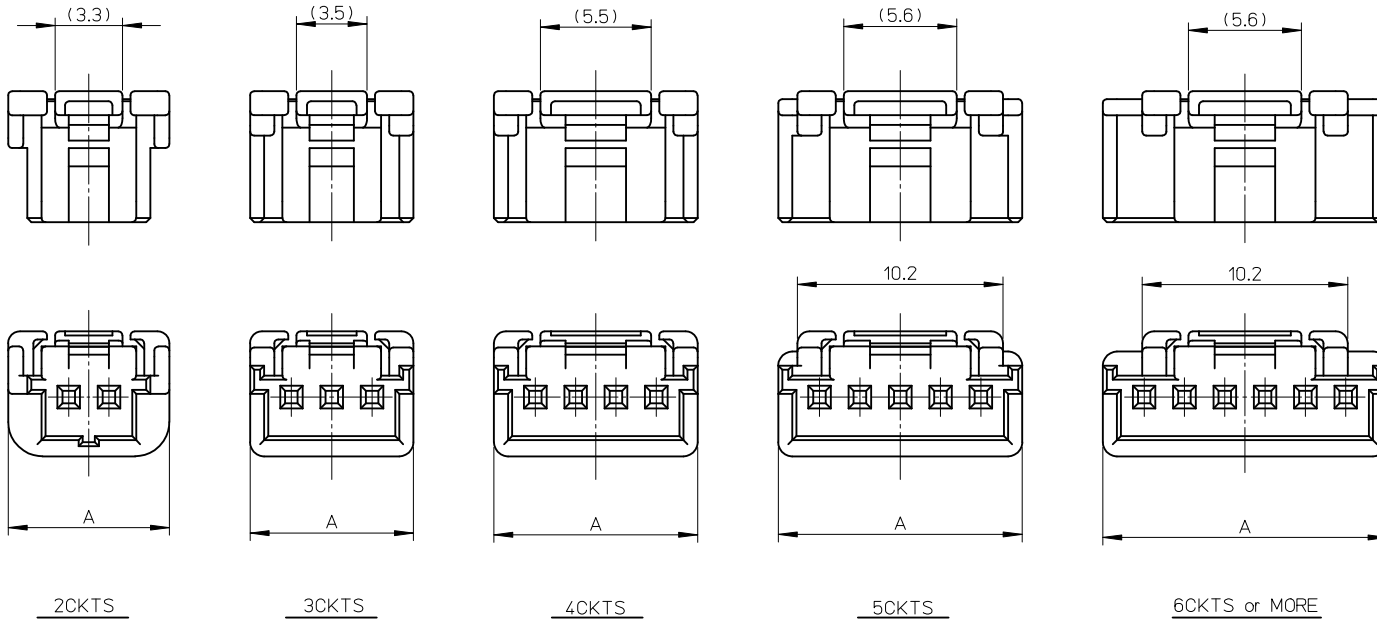


18.1	502351-0800	8
16.1	502351-0700	7
14.1	502351-0600	6
12.1	502351-0500	5
10.1	502351-0400	4
8.1	502351-0300	3
8.0	502351-0200	2
A	MATERIAL NO.	CKTS

8CKTS

REVISED EC NO: JTR2012-0080 DRWN: YAMAKI 2012/02/24 CHKD: HKOMATSU 2012/02/29 APPR: MAYAMOTO 2012/03/01	GENERAL TOLERANCES (UNLESS SPECIFIED)		DIMENSION STYLE MM ONLY		SCALE 4:1	DESIGN UNITS METRIC	THIRD ANGLE PROJECTION	
	10 UNDER	±0.20	DRAWN BY SHSHIBATA	DATE 2007/12/18	TITLE 2.0MM PITCH WIRE TO BOARD CONN. RECEPTACLE HOUSING			
	10 OVER 30 UNDER	±0.25	CHECKED BY HKOMATSU	DATE 2007/12/18	MOLEX INCORPORATED			
	30 OVER	±0.30	APPROVED BY MAYAMOTO	DATE 2010/12/02	MATERIAL NO. SEE CHART	DOCUMENT NO. SD-502351-001	SHEET NO. 1 OF 2	
ANGULAR ±3 ° DRAFT WHERE APPLICABLE MUST REMAIN WITHIN DIMENSIONS		THIS DRAWING CONTAINS INFORMATION THAT IS PROPRIETARY TO MOLEX INCORPORATED AND SHOULD NOT BE USED WITHOUT WRITTEN PERMISSION						

10 9 8 7 6 5 4 3 2 1



2CKTS

3CKTS

4CKTS

5CKTS

6CKTS or MORE

REVISED EC NO: JTR2012-0080 DRWN:YAMAKI 2012/02/17 CHK'D:HKOMATSU 2012/02/29 APPR: MAYAMOTO 2012/03/01	GENERAL TOLERANCES (UNLESS SPECIFIED)		DIMENSION STYLE MM ONLY	SCALE 4:1	DESIGN UNITS METRIC	THIRD ANGLE PROJECTION
	10 UNDER	±0.20	DRAWN BY SHSHIBATA	DATE 2007/12/18	TITLE 2.0MM PITCH WIRE TO BOARD CONN. RECEPTACLE HOUSING	
	10 OVER 30 UNDER	±0.25	CHECKED BY HKOMATSU	DATE 2007/12/18	MOLEX INCORPORATED DOCUMENT NO. SD-502351-001	
	30 OVER	±0.30	APPROVED BY MAYAMOTO	DATE 2010/12/02		
ANGULAR ±3 °		MATERIAL NO. SEE CHART				
DRAFT WHERE APPLICABLE MUST REMAIN WITHIN DIMENSIONS		THIS DRAWING CONTAINS INFORMATION THAT IS PROPRIETARY TO MOLEX INCORPORATED AND SHOULD NOT BE USED WITHOUT WRITTEN PERMISSION				