



Chipsmall Limited consists of a professional team with an average of over 10 year of expertise in the distribution of electronic components. Based in Hongkong, we have already established firm and mutual-benefit business relationships with customers from,Europe,America and south Asia,supplying obsolete and hard-to-find components to meet their specific needs.

With the principle of "Quality Parts,Customers Priority,Honest Operation,and Considerate Service",our business mainly focus on the distribution of electronic components. Line cards we deal with include Microchip,ALPS,ROHM,Xilinx,Pulse,ON,Everlight and Freescale. Main products comprise IC,Modules,Potentiometer,IC Socket,Relay,Connector.Our parts cover such applications as commercial,industrial, and automotives areas.

We are looking forward to setting up business relationship with you and hope to provide you with the best service and solution. Let us make a better world for our industry!



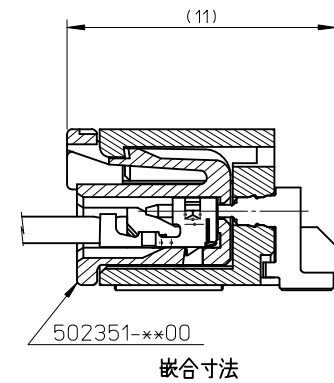
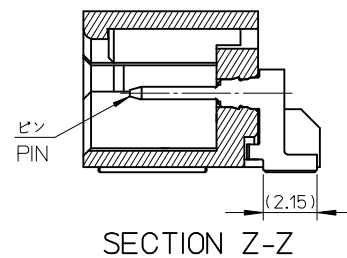
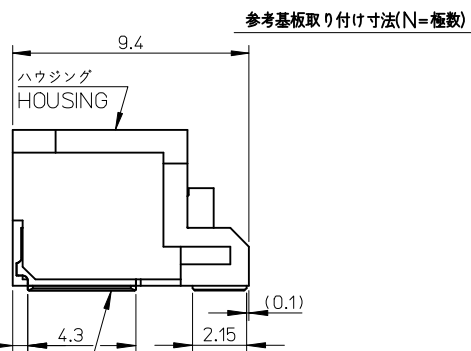
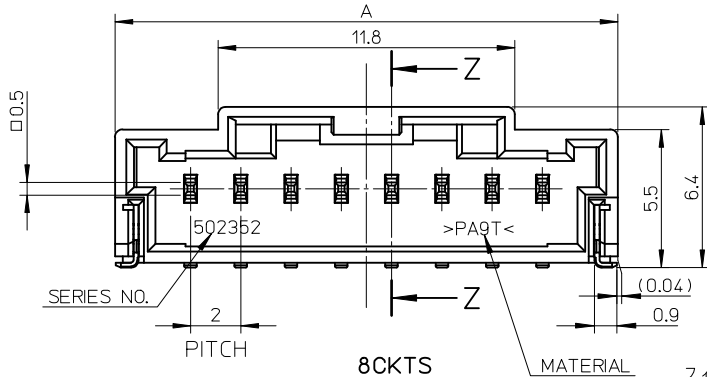
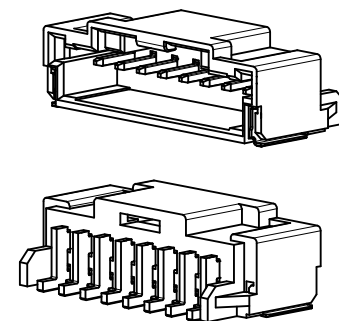
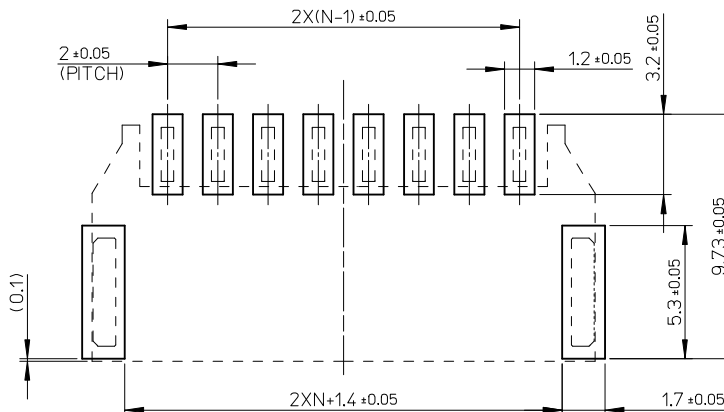
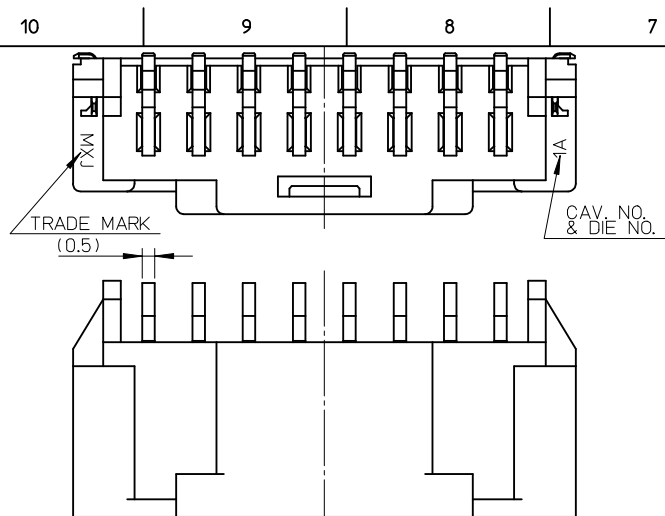
Contact us

Tel: +86-755-8981 8866 Fax: +86-755-8427 6832

Email & Skype: info@chipsmall.com Web: www.chipsmall.com

Address: A1208, Overseas Decoration Building, #122 Zhenhua RD., Futian, Shenzhen, China





注記
NOTES

- 材質
ハウジング: 耐熱性ナイロン
ピン: 銅合金、ニッケル下地、錫メッキ、金メッキ
フィッティングネール: 銅合金、ニッケル下地、錫メッキ
MATERIAL
HOUSING: POLYAMIDE
PIN: COPPER ALLOY, GOLD OR TIN OVER NICKEL PLATE.
FITTING NAIL: COPPER ALLOY, TIN OVER NICKEL PLATE.
- 色: ナチュラル
COLOR: NATURAL
- 嵌合相手
ハウジング: 502351-**-00
錫メッキ端子: 50212-8*00, 50372-8*00
金メッキ端子: 56161-8*81
MATES WITH
HOUSING: 502351-**-00
SN PLATING TERMINAL: 50212-8*00, 50372-8*00
AU PLATING TERMINAL: 56161-8*81
- エンボス梱包品の詳細はSD-502352-002参照
DETAILED TAPING PACKAGE, SEE SD-502352-002.
- ELV及びRoHS適合
ELV AND RoHS COMPLIANT

Au	20.0	502352-0810	8
	18.0	502352-0710	7
	16.0	502352-0610	6
	14.0	502352-0510	5
	12.0	502352-0410	4
	10.0	502352-0310	3
	8.0	502352-0210	2
PLATING	A	EMBOSSED PACKAGE ORDER NO.	CKTS
CONNECTOR SERIES NO. 502352-**-18			

Sn	20.0	502352-0800	8
	18.0	502352-0700	7
	16.0	502352-0600	6
	14.0	502352-0500	5
	12.0	502352-0400	4
	10.0	502352-0300	3
	8.0	502352-0200	2
PLATING	A	EMBOSSED PACKAGE ORDER NO.	CKTS
CONNECTOR SERIES NO. 502352-**-08			

REVISED EC NO: JTR2013-0002 DRMNY/TAMAKI 2012/07/03 CHKD/HKOMATSU 2012/07/04 APPR/MAYAMOTO 2012/07/04	DESCRIPTION	GENERAL TOLERANCES (UNLESS SPECIFIED)		DIMENSION STYLE MM ONLY		SCALE 5:1	DESIGN UNITS METRIC	THIRD ANGLE PROJECTION	
		10 UNDER	± 0.2	DRAWN BY SHSHIBATA	DATE 2007/12/18	TITLE 2.0MM PITCH W/B CONN. WAFER ASSY R/A SMT			
		10 OVER 30 UNDER	± 0.25	CHECKED BY HKOMATSU	DATE 2007/12/18				
		30 OVER	± 0.3	APPROVED BY AKANESHIGE	DATE 2007/12/18				
REV		ANGULAR	± 3 °	MATERIAL NO. SEE CHART		DOCUMENT NO. SD-502352-001		SHEET NO. 1 OF 2	
		DRAFT WHERE APPLICABLE MUST REMAIN WITHIN DIMENSIONS		THIS DRAWING CONTAINS INFORMATION THAT IS PROPRIETARY TO MOLEX INCORPORATED AND SHOULD NOT BE USED WITHOUT WRITTEN PERMISSION					

10 9 8 7 6 5 4 3 2 1

F

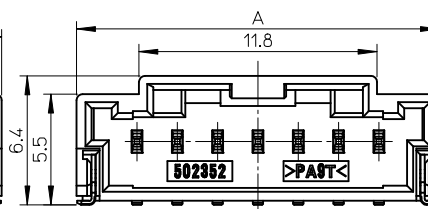
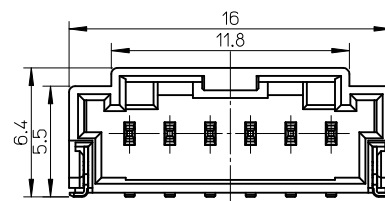
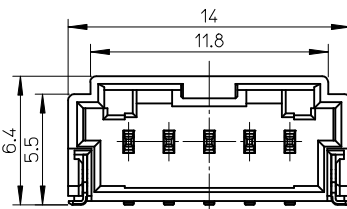
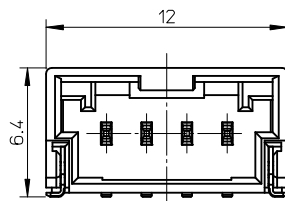
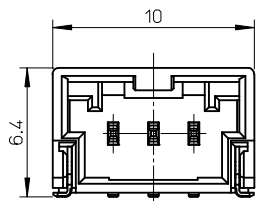
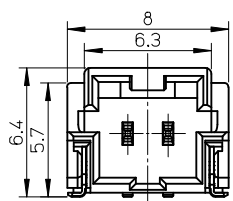
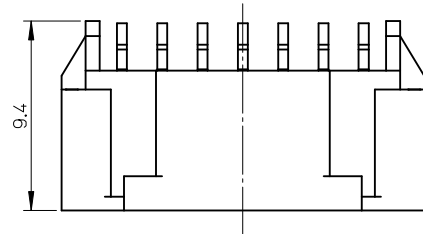
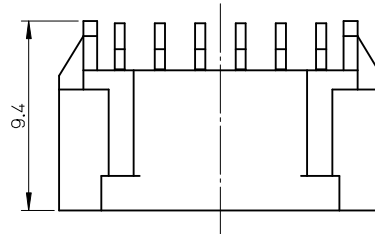
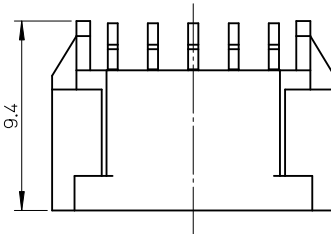
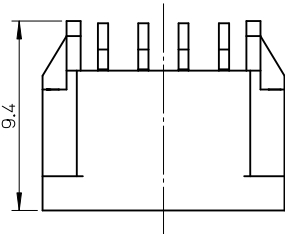
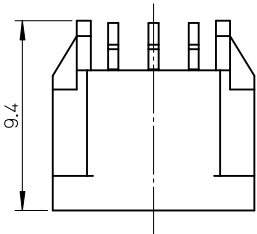
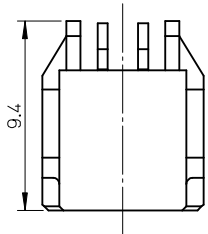
E

D

C

B

A



2CKTS

3CKTS

4CKTS

5CKTS

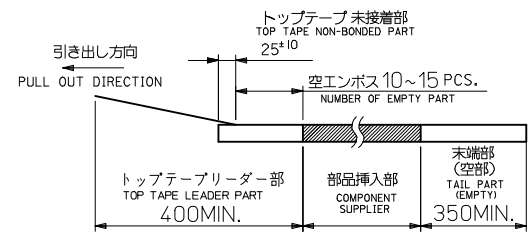
6CKTS

7CKTS or MORE

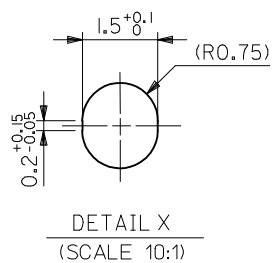
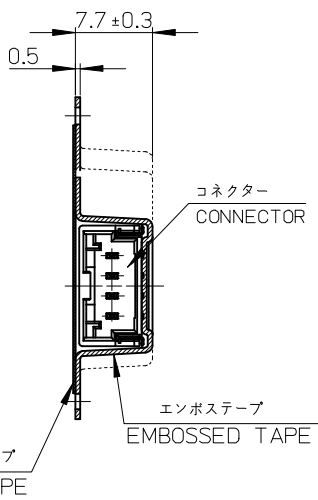
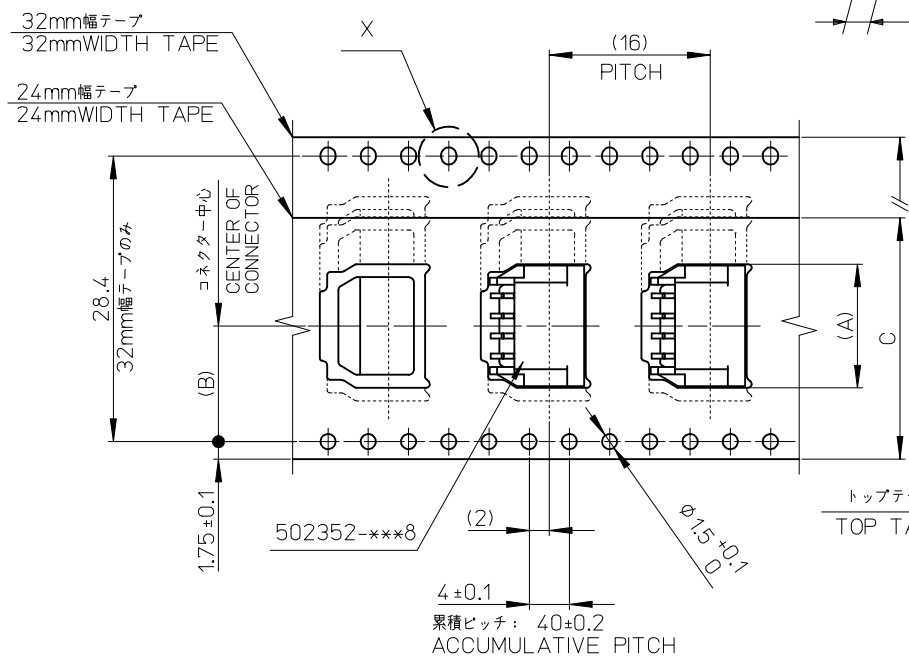
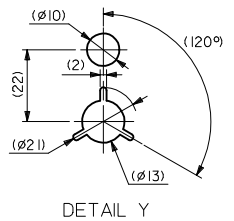
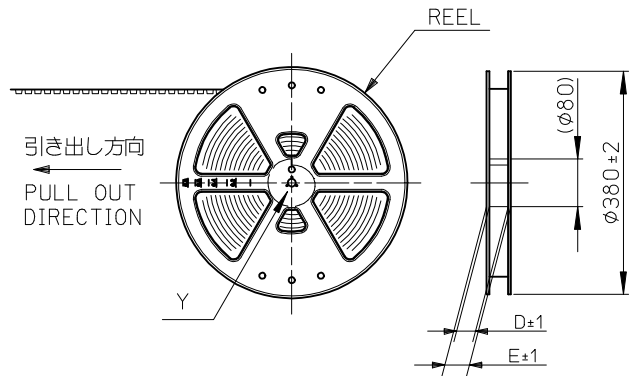
REVISED EC NO: JTR2013-0002 DRWN: Y. TAMAKI CHKD: H. KOMATSU APPR: M. YAMAMOTO	GENERAL TOLERANCES (UNLESS SPECIFIED)		DIMENSION STYLE MM ONLY		SCALE 4:1	DESIGN UNITS METRIC	THIRD ANGLE PROJECTION	
	10 UNDER	±0.2	DRAWN BY: SHSHIBATA DATE: 2007/12/18		TITLE: 2.0MM PITCH W/B CONN. WAFER ASSY R/A SMT			
	10 OVER 30 UNDER	±0.25	CHECKED BY: HKOMATSU DATE: 2007/12/18					
	30 OVER	±0.3	APPROVED BY: AKANESHIGE DATE: 2007/12/18		MOLEX INCORPORATED			
ANGULAR ±3 ° DRAFT WHERE APPLICABLE MUST REMAIN WITHIN DIMENSIONS		MATERIAL NO. SEE CHART		DOCUMENT NO. SD-502352-001		SHEET NO. 2 OF 2		

注記
NOTES

- 製品番号502352-***0 詳細寸法については、製品単体図面を参照下さい。
PART NO. 502352-***0 . SEE SALES DRAWING FOR CONNECTOR
- 梱包数量： 700個/リール
NUMBER OF CONNECTORS 700PCS/REEL
- リードテープ長さ
LEAD TAPE LENGHT



4. 材料
MATERIAL
- キャリアテープ： ポリスチレン
CARRIER TAPE: POLYSTYRENE
 - トップテープ： PET, PE, PEF
TOP TAPE
 - リール： ポリスチレン
REEL: POLYSTYRENE



引き出し方向
PULL OUT DIRECTION

エンボステープ内の製品の向き
DIRECTION OF CONNECTOR
IN EMBOSSED TAPE

REVISED EC NO: JTR2013-0002 DRWN:YTAMAKI 2012/07/03 CHKD:HKOMATSU 2012/07/04 APPR: MAYAMAMOTO 2012/07/04	GENERAL TOLERANCES (UNLESS SPECIFIED)		DIMENSION STYLE MM ONLY		SCALE	DESIGN UNITS METRIC	THIRD ANGLE PROJECTION	
	10 UNDER	±0.2	DRAWN BY SHSHIBATA	DATE 2007/6/6	TITLE 2.0MM PITCH W/B CONN. WAFFER ASSY EMBOSSED TAPE PACKAGE			
	10 OVER 30 UNDER	±0.25	CHECKED BY TAITO	DATE 2007/6/6	MOLEX MOLEX INCORPORATED			
	30 OVER	±0.3	APPROVED BY MAYAMAMOTO	DATE 2012/03/14	DOCUMENT NO. SD-502352-002	SHEET NO. 1 OF 2		
REV	ANGULAR ±1 ° DRAFT WHERE APPLICABLE MUST REMAIN WITHIN DIMENSIONS		MATERIAL NO. SEE CHART		THIS DRAWING CONTAINS INFORMATION THAT IS PROPRIETARY TO MOLEX INCORPORATED AND SHOULD NOT BE USED WITHOUT WRITTEN PERMISSION			

	10		9		8		7		6		5		4		3		2		1					
F	Sn	37.4	33.4	32	14.2	20.3	502352-0800	8	Au	37.4	33.4	32	14.2	20.3	502352-0810	8	PLATING	E	D	C	(B)	(A)	エンボス極包品 製品番号 MATERIAL NO.	極数 CKT.
						18.3	502352-0700	7						18.3	502352-0710	7								
						16.3	502352-0600	6						16.3	502352-0610	6								
		29.4	25.4	24	11.5	14.3	502352-0500	5		29.4	25.4	24	11.5	14.3	502352-0510	5								
						12.3	502352-0400	4						12.3	502352-0410	4								
						10.3	502352-0300	3						10.3	502352-0310	3								
						8.3	502352-0200	2						8.3	502352-0210	2								



REVISED	EC NO: JTR2013-0002	DESCRIPTION	GENERAL TOLERANCES (UNLESS SPECIFIED)		DIMENSION STYLE		SCALE	DESIGN UNITS	THIRD ANGLE PROJECTION	
	DRWN:YAMAKI 2012/07/03		10 UNDER	±0.2	MM ONLY	1:1	METRIC	2.0MM PITCH W/B CONN. WAFER ASSY EMBOSSED TAPE PACKAGE		
	CHKD:HKOMATSU 2012/07/04		10 OVER 30 UNDER	±0.25	DRAWN BY	DATE	TITLE			
	APPR: MAYAMOTO 2012/07/04		30 OVER	±0.3	SHSHIBATA	2007/6/6	MOLEX INCORPORATED			
	REV		ANGULAR ±1 °	DRAFT WHERE APPLICABLE MUST REMAIN WITHIN DIMENSIONS	CHECKED BY	DATE		DOCUMENT NO.	SHEET NO.	
D	SEE CHART	THIS DRAWING CONTAINS INFORMATION THAT IS PROPRIETARY TO MOLEX INCORPORATED AND SHOULD NOT BE USED WITHOUT WRITTEN PERMISSION		MAYAMOTO	2012/03/14	SD-502352-002		2 OF 2		
				MATERIAL NO.						
				SIZE	A3					