



Chipsmall Limited consists of a professional team with an average of over 10 year of expertise in the distribution of electronic components. Based in Hongkong, we have already established firm and mutual-benefit business relationships with customers from,Europe,America and south Asia,supplying obsolete and hard-to-find components to meet their specific needs.

With the principle of “Quality Parts,Customers Priority,Honest Operation,and Considerate Service”,our business mainly focus on the distribution of electronic components. Line cards we deal with include Microchip,ALPS,ROHM,Xilinx,Pulse,ON,Everlight and Freescale. Main products comprise IC,Modules,Potentiometer,IC Socket,Relay,Connector.Our parts cover such applications as commercial,industrial, and automotives areas.

We are looking forward to setting up business relationship with you and hope to provide you with the best service and solution. Let us make a better world for our industry!



Contact us

Tel: +86-755-8981 8866 Fax: +86-755-8427 6832

Email & Skype: info@chipsmall.com Web: www.chipsmall.com

Address: A1208, Overseas Decoration Building, #122 Zhenhua RD., Futian, Shenzhen, China



CHEMINAX

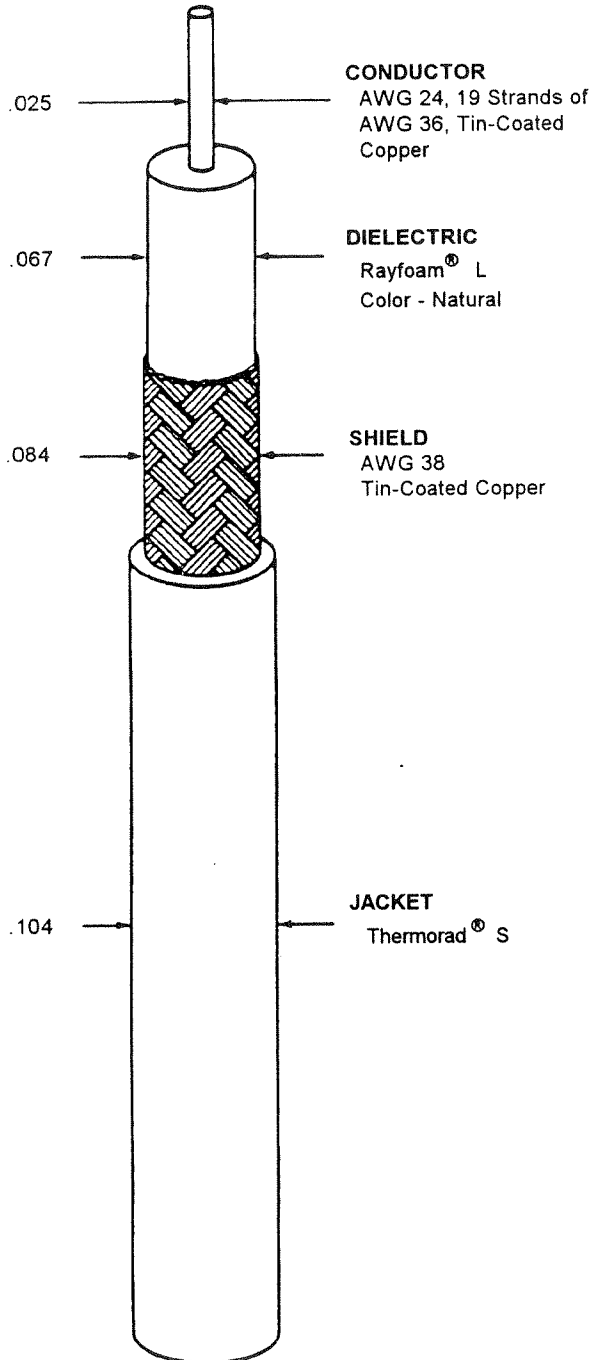
50 OHM, AWG 24, 19 STRANDS OF AWG 36,
COAXIAL CABLE

Date: 1-23-97
Revision: D

THIS SPECIFICATION SHEET FORMS A PART OF THE LATEST ISSUE OF RAYCHEM SPECIFICATION 1200.

CONSTRUCTION DETAILS

DIMENSIONS ARE NOMINAL VALUES IN INCHES UNLESS OTHERWISE DESIGNATED.



ELECTRICAL CHARACTERISTICS

CHARACTERISTIC IMPEDANCE	50 ± 2 ohms, Method A
CAPACITANCE	27.5 pF/ft. (nominal)
VELOCITY OF PROPAGATION	74% (nominal)

ADDITIONAL REQUIREMENTS

ELECTRICAL

CONDUCTOR RESISTANCE	24.8 ohms/1000 ft. (nominal)
INSULATION RESISTANCE	10,000 megohms (minimum) for 1000 ft.
JACKET FLAWS	
SPARK TEST	1.0 kV (rms), 60 Hz
IMPULSE TEST	6.0 kV (peak)
VOLTAGE WITHSTAND (DIELECTRIC)	1000 volts (rms) (minimum)

ENVIRONMENTAL

AGING STABILITY	135°C/-55°C/3.00 inch mandrel
FLAMMABILITY	Method C
HEAT SHOCK	225°C
LOW TEMPERATURE- COLD BEND	-55°C/3.00 inch mandrel
VOLTAGE WITHSTAND (POST ENVIRONMENTAL)	1000 volts (rms), 1 minute

PHYSICAL

INSULATION (DIELECTRIC)	
ELONGATION	50% (minimum)
TENSILE STRENGTH	1000 lbf/in ² (minimum)
JACKET	
ELONGATION	250% (minimum)
TENSILE STRENGTH	2000 lbf/in ² (minimum)
JACKET THICKNESS	.010 inch (nominal)
SHIELD COVERAGE	90% (minimum)

WEIGHT 7.9 lbs/1000 ft. (nominal)

Outer jacket color will be black (designated by a "-0" appended to the part number, e.g., 5024A1311-0) unless otherwise specified.

Designate outer jacket color with a dash number in accordance with MIL-STD-681.

Raychem

Raychem Corporation
300 Constitution Drive
Menlo Park, California 94025
1-800-2 Raychem FAX: 1-415-361-6297

THIS SPECIFICATION SHEET TAKES PRECEDENCE OVER DOCUMENTS REFERENCED HEREIN. REFERENCE DOCUMENTS SHALL BE OF THE ISSUE IN EFFECT ON DATE OF INVITATION FOR BID.