



Chipsmall Limited consists of a professional team with an average of over 10 year of expertise in the distribution of electronic components. Based in Hongkong, we have already established firm and mutual-benefit business relationships with customers from,Europe,America and south Asia,supplying obsolete and hard-to-find components to meet their specific needs.

With the principle of “Quality Parts,Customers Priority,Honest Operation,and Considerate Service”,our business mainly focus on the distribution of electronic components. Line cards we deal with include Microchip,ALPS,ROHM,Xilinx,Pulse,ON,Everlight and Freescale. Main products comprise IC,Modules,Potentiometer,IC Socket,Relay,Connector.Our parts cover such applications as commercial,industrial, and automotives areas.

We are looking forward to setting up business relationship with you and hope to provide you with the best service and solution. Let us make a better world for our industry!



Contact us

Tel: +86-755-8981 8866 Fax: +86-755-8427 6832

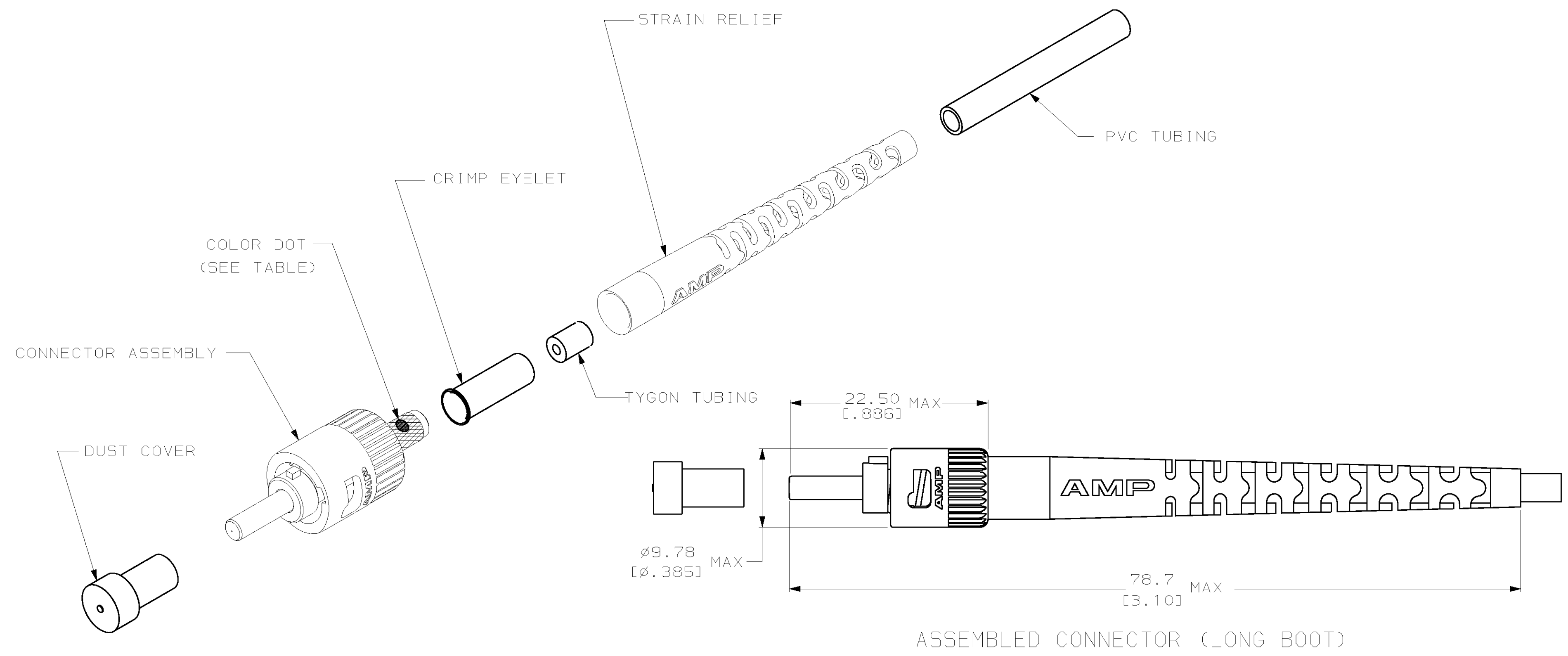
Email & Skype: info@chipsmall.com Web: www.chipsmall.com

Address: A1208, Overseas Decoration Building, #122 Zhenhua RD., Futian, Shenzhen, China



THIS DRAWING IS UNPUBLISHED. RELEASED FOR PUBLICATION
 (C) COPYRIGHT 19 BY AMP INCORPORATED. ALL RIGHTS RESERVED.

| LOC | DIST | REVISIONS | | | |
|-----|------|-------------|----------------------|---------|--------|
| P | LTR | DESCRIPTION | DATE | DWN | APVD |
| CE | 16 | J | REV PER 0A00-0348-02 | 17JUN02 | JWD 5B |



ASSEMBLED CONNECTOR (LONG BOOT)

1. DIMENSIONS IN [] ARE IN INCHES.
- ② BODY: BRASS
 CAPILLARY: ZIRCONIA (ZrO₂)
 COUPLING NUT: ZINC
 STRAIN RELIEF: THERMOPLASTIC
 - ③ BODY: ELECTROLESS NICKEL
 COUPLING NUT: ELECTROLESS NICKEL

| OBSOLETE | STRAIN RELIEF COLOR | COLOR DOT | FIBER SIZE | PART NO |
|----------|---------------------|-----------|------------|----------|
| | | RED | 126 μm | 502579-4 |
| | YELLOW | BLUE | 127 μm | 502579-3 |
| | YELLOW | RED | 126 μm | 502579-2 |
| | | YELLOW | 125 μm | 502579-1 |

| | | | |
|--|--|------------------------------|--|
| THIS DRAWING IS A CONTROLLED DOCUMENT. | | DWN N. MILLER 7-2-90 | AMP AMP Incorporated Harrisburg, PA 17105-3608 |
| DIMENSIONS: mm | | CHK R. SCHAFER 7-2-90 | |
| TOLERANCES UNLESS OTHERWISE SPECIFIED: | | APVD J. EBERLE 7-2-90 | CONNECTOR KIT, SINGLEMODE, 2.5mm BAYONET, OPTIMATE |
| 0 PLC ±- | | PRODUCT SPEC - | |
| 1 PLC ±- | | APPLICATION SPEC - | SIZE A2 |
| 2 PLC ±- | | WEIGHT - | CAGE CODE 00779 |
| 3 PLC ±- | | FINISH - | DRAWING NO C-502579 |
| 4 PLC ±- | | | RESTRICTED TO - |
| ANGLES ±- | | SCALE NTS SHEET 1 OF 1 REV J | |
| MATERIAL - | | CUSTOMER DRAWING | |