



Chipsmall Limited consists of a professional team with an average of over 10 year of expertise in the distribution of electronic components. Based in Hongkong, we have already established firm and mutual-benefit business relationships with customers from,Europe,America and south Asia,supplying obsolete and hard-to-find components to meet their specific needs.

With the principle of "Quality Parts,Customers Priority,Honest Operation,and Considerate Service",our business mainly focus on the distribution of electronic components. Line cards we deal with include Microchip,ALPS,ROHM,Xilinx,Pulse,ON,Everlight and Freescale. Main products comprise IC,Modules,Potentiometer,IC Socket,Relay,Connector.Our parts cover such applications as commercial,industrial, and automotives areas.

We are looking forward to setting up business relationship with you and hope to provide you with the best service and solution. Let us make a better world for our industry!



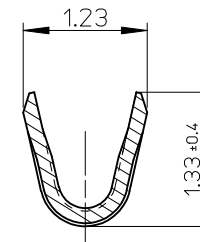
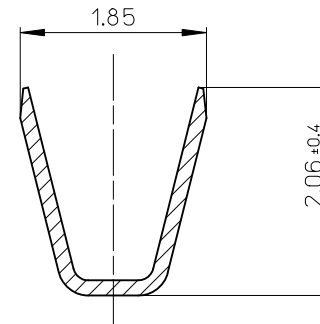
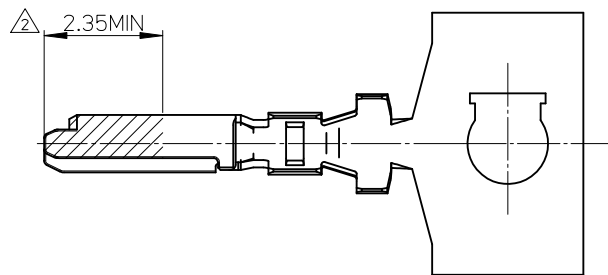
Contact us

Tel: +86-755-8981 8866 Fax: +86-755-8427 6832

Email & Skype: info@chipsmall.com Web: www.chipsmall.com

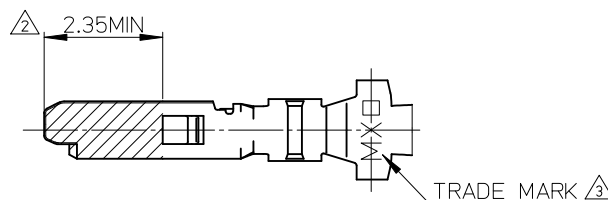
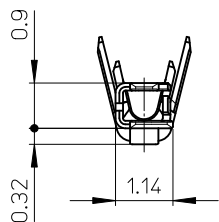
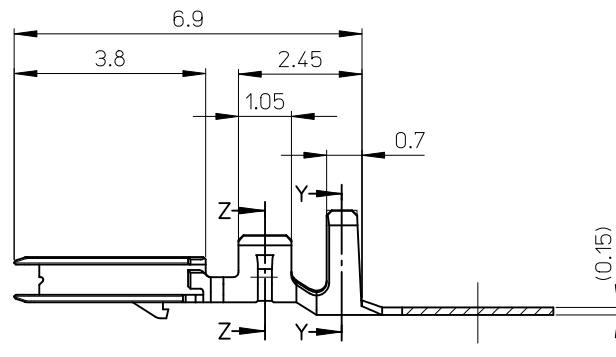
Address: A1208, Overseas Decoration Building, #122 Zhenhua RD., Futian, Shenzhen, China





SECTION Y-Y
(SCALE 20-1)

SECTION Z-Z
(SCALE 20-1)



NOTES

- 適合ハウジング: 502578-****, 503149-****
APPLICABLE HOUSING: 502578-****, 503149-****
- 図示の斜線部の範囲は、接点部のため、傷、打痕、汚れなどを付けないようにして下さい。
PLEASE DON'T DAMAGE, DON'T DENT, AND DON'T MAKE IT DIRTY. BECAUSE THE RANGE IN THE SHADED PORTION SHOWN IN FIGURE IS THE CONTACT AREA.
- トレードマーク: MX プラス1文字の製造工場を示すアルファベットにて表示。但し「J」は JAPAN を示す。(例 MXJ)
FORMED BY MX AND 1 MORE LETTER OF ALPHABET WHICH MEAN THE MANUFACTORY. BUT "J" MEANS JAPAN. (TO TRADE MARK) (e.g. MXJ)
- ELV 及び RoHS 適合品
ELV AND RoHS COMPLIANT

φ0.78-1.28mm	AWG#24-28	502579-0100	バラ状 LOSE
		502579-0000	連鎖状 CHAIN
絶縁被覆外径範囲 INS. RANGE	適用電線範囲 WIRE RANGE	製品番号 MATERIAL NO.	端子形状 FORM

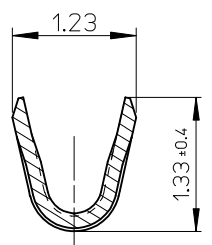
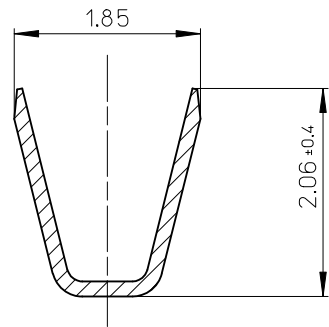
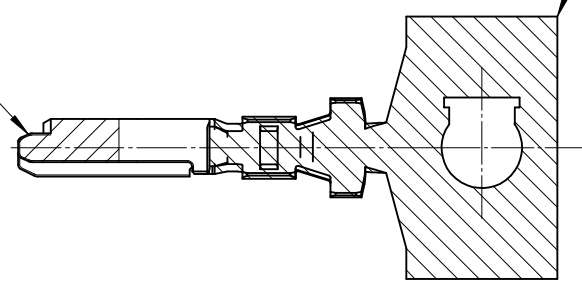
部品 PART	材質 MATERIAL
ターミナル TERMINAL	銅合金 COPPER ALLOY
	錫めっき: 0.4 micro-meter MIN. リフロー処理(前めっき) TIN REFLOW TREATMENT (PRE-PLATED)
	ニッケルめっき(下地): 0.1 micro-meter MIN. リフロー処理(前めっき) NICKEL (UNDER PLATING) REFLOW TREATMENT (PRE-PLATED)

REVISED EC NO: J2010-2153 DRWN: YG010 CHKD: KASAKAWA APPR: NUKITA 2010/04/29 2010/05/12	GENERAL TOLERANCES (UNLESS SPECIFIED)	
	10 UNDER	± 0.2
	10 OVER 30 UNDER	± 0.25
	30 OVER	± 0.3
	ANGULAR	± 3 °
	DRAFT WHERE APPLICABLE MUST REMAIN WITHIN DIMENSIONS	

DIMENSION STYLE MM ONLY		SCALE 10:1	DESIGN UNITS METRIC	THIRD ANGLE PROJECTION
DRAWN BY NITO	DATE 2007/07/09	TITLE 1.5 W/B CONN. SINGLE PLUG TERMINAL		
CHECKED BY KASAKAWA	DATE 2007/07/09	MOLEX INCORPORATED		
APPROVED BY YOITO	DATE 2007/07/09	MATERIAL NO. SEE TABLE	DOCUMENT NO. SD-502579-001	SHEET NO. 1 OF 1
THIS DRAWING CONTAINS INFORMATION THAT IS PROPRIETARY TO MOLEX INCORPORATED AND SHOULD NOT BE USED WITHOUT WRITTEN PERMISSION				

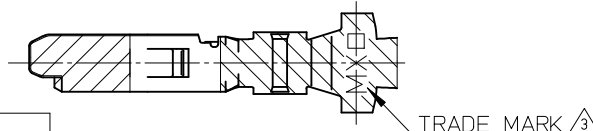
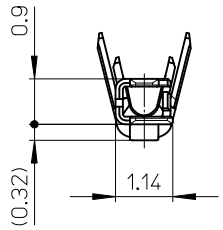
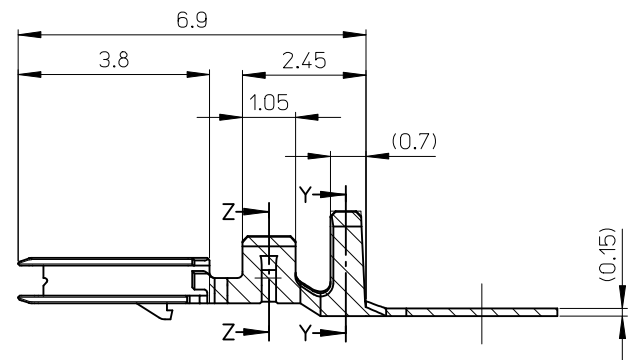
△ Au PLATING AREA

Sn PLATING AREA



SECTION Y-Y
(SCALE 20-1)

SECTION Z-Z
(SCALE 20-1)



NOTES

- 適合ハウジング： 502578**** , 503149****
APPLICABLE HOUSING： 502578**** , 503149****
- 図示の斜線部の範囲は、接点部のため、傷、打痕、汚れなどを付けないようにして下さい。
PLEASE DON'T DAMAGE, DON'T DENT, AND DON'T MAKE IT DIRTY. BECAUSE THE RANGE IN THE SHADED PORTION SHOWN IN FIGURE IS THE CONTACT AREA.
- トレードマーク：MX プラス1文字の製造工場を示すアルファベットにて表示。但し「J」は JAPAN を示す。(例 MXJ)
FORMED BY MX AND 1 MORE LETTER OF ALPHABET WHICH MEAN THE MANUFACTORY. BUT "J" MEANS JAPAN. (TO TRADE MARK) (e.g. MXJ)
- ELV 及び RoHS 適合品
ELV AND RoHS COMPLIANT

部品 PART	材質 MATERIAL	
	5025791***	
ターミナル TERMINAL	コンタクト部 CONTACT POS.	銅合金 COPPER ALLOY 金めっき：0.2 μm MIN. GOLD リフロー処理(前めっき) REFLOW TREATMENT (PRE-PLATED)
	バレル部 BARREL POS.	錫めっき：1.0 μm MIN. TIN リフロー処理(前めっき) REFLOW TREATMENT (PRE-PLATED)
	ニッケルめっき(下地)： 1.0 micro-meter MIN. NICKEL (UNDER PLATING) リフロー処理(前めっき) REFLOW TREATMENT (PRE-PLATED)	

RELEASED EC NO: J2015-0528 DRWN:TAKAIKE 2014/10/21 CHKD:KASAKAWA 2015/02/16 APPR:NUKITA 2015/02/16	DESCRIPTION REV A	GENERAL TOLERANCES (UNLESS SPECIFIED)		
		0.25 UNDER	UNDER	± 0.03
		0.25 OVER	0.5 UNDER	± 0.05
		0.5 OVER	1.0 UNDER	± 0.1
		1.0 OVER	10 UNDER	± 0.2
		10 OVER	30 UNDER	± 0.25
30 OVER		± 0.3		
ANGULAR		± 3 °		
DRAFT WHERE APPLICABLE MUST REMAIN WITHIN DIMENSIONS				

DIMENSION STYLE MM ONLY	
DRAWN BY TAKAIKE	DATE 2014/10/21
CHECKED BY KASAKAWA	DATE 2015/02/16
APPROVED BY NUKITA	DATE 2015/02/16
MATERIAL NO. SEE TABLE	
SIZE A3	

SCALE 10:1	DESIGN UNITS METRIC	THIRD ANGLE PROJECTION
TITLE 1.5 W/B CONN. SINGLE PLUG TERMINAL	DOCUMENT NO. SD-502579-002	
SHEET NO. 1 OF 1		
THIS DRAWING CONTAINS INFORMATION THAT IS PROPRIETARY TO MOLEX INCORPORATED AND SHOULD NOT BE USED WITHOUT WRITTEN PERMISSION		