



Chipsmall Limited consists of a professional team with an average of over 10 year of expertise in the distribution of electronic components. Based in Hongkong, we have already established firm and mutual-benefit business relationships with customers from,Europe,America and south Asia,supplying obsolete and hard-to-find components to meet their specific needs.

With the principle of “Quality Parts,Customers Priority,Honest Operation,and Considerate Service”,our business mainly focus on the distribution of electronic components. Line cards we deal with include Microchip,ALPS,ROHM,Xilinx,Pulse,ON,Everlight and Freescale. Main products comprise IC,Modules,Potentiometer,IC Socket,Relay,Connector.Our parts cover such applications as commercial,industrial, and automotives areas.

We are looking forward to setting up business relationship with you and hope to provide you with the best service and solution. Let us make a better world for our industry!



Contact us

Tel: +86-755-8981 8866 Fax: +86-755-8427 6832

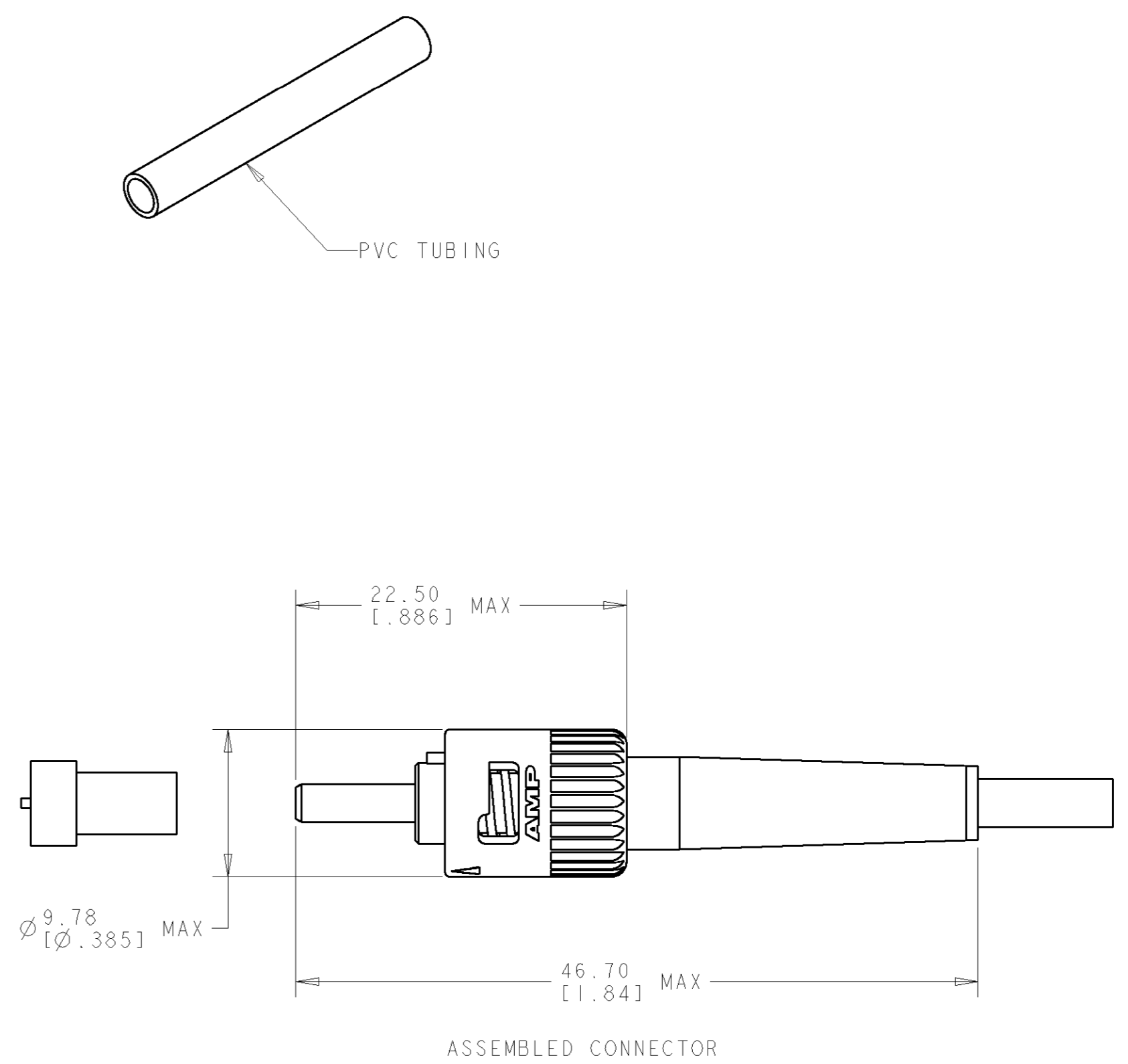
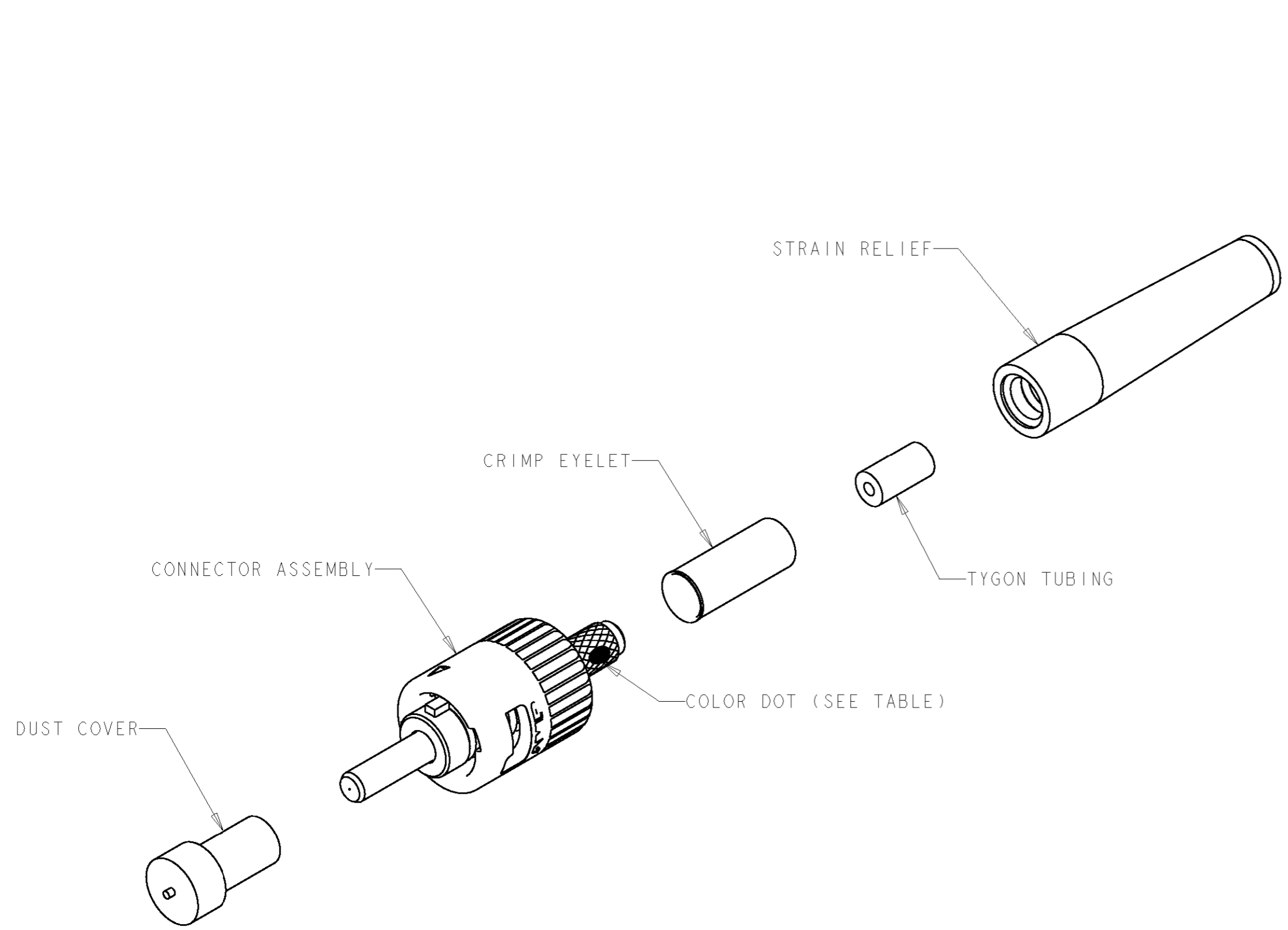
Email & Skype: info@chipsmall.com Web: www.chipsmall.com

Address: A1208, Overseas Decoration Building, #122 Zhenhua RD., Futian, Shenzhen, China



THIS DRAWING IS UNPUBLISHED. RELEASED FOR PUBLICATION 20
 © COPYRIGHT 20 BY TYCO ELECTRONICS CORPORATION. ALL RIGHTS RESERVED.

LOC	DIST	REVISIONS					
		P	LTR	DESCRIPTION	DATE	DWN	APVD
CE	16		H	REV PER 0A00-0549-00	31JUL00	TA	SB
			J	REV PER 0UB0-0213-01	27MAR2001	RCF	MH
			K	REV PER 0A00-0432-01	08NOV2001	RCF	SB
			L	REV PER 0A00-0348-02	17JUN2002	JWD	SB



1. DIMENSIONS IN [] ARE IN INCHES.
- 2 BODY: BRASS.
 CAPILLARY: ZIRCONIA (ZrO₂).
 COUPLING NUT: ZINC OR THERMOPLASTIC.
 STRAIN RELIEF: THERMOPLASTIC ELASTOMER.
- 3 BODY: ELECTROLESS NICKEL.
 COUPLING NUT: ELECTROLESS NICKEL.
- 4 BULK PACKAGE (1000 PCS).

OBSOLETE	PLASTIC	3.0mm	YELLOW	RED	126 μm	502580-6
OBSOLETE	METAL	2.0mm	YELLOW	RED	126 μm	502580-5
4	METAL	3.0mm	YELLOW	RED	126 μm	502580-4
OBSOLETE	METAL	3.0mm	YELLOW	BLUE	127 μm	502580-3
	METAL	3.0mm	YELLOW	RED	126 μm	502580-2
OBSOLETE	METAL	3.0mm	YELLOW	YELLOW	125 μm	502580-1
	NUT MATERIAL	CABLE SIZE	STRAIN RELIEF COLOR	COLOR DOT	FIBER SIZE	PART NUMBER

<small>THIS DRAWING IS A CONTROLLED DOCUMENT FOR TYCO ELECTRONICS CORPORATION. IT IS SUBJECT TO CHANGE AND THE CONTROLLING ENGINEERING ORGANIZATION SHOULD BE CONTACTED FOR THE LATEST REVISION.</small>		DWN N. MILLER 02JUL90 CHK R. SCHAFFER 02JUL90 APVD J. EBERLE 02JUL90	AMP Tyco Electronics Harrisburg, PA 17105-3608
DIMENSIONS: mm 	TOLERANCES UNLESS OTHERWISE SPECIFIED: 0 PLC ± 1 PLC ± 2 PLC ± 3 PLC ± 4 PLC ± ANGLES ± FINISH	PRODUCT SPEC - APPLICATION SPEC - WEIGHT -	NAME CONNECTOR KIT, 2.5mm BAYONET, SINGLEMODE, OPTIMATE SIZE A2 CAGE CODE 00779 DRAWING NO G-502580 RESTRICTED TO - SCALE 3:1 SHEET OF REV L
MATERIAL 2	FINISH 3	CUSTOMER DRAWING	