



Chipsmall Limited consists of a professional team with an average of over 10 year of expertise in the distribution of electronic components. Based in Hongkong, we have already established firm and mutual-benefit business relationships with customers from,Europe,America and south Asia,supplying obsolete and hard-to-find components to meet their specific needs.

With the principle of “Quality Parts,Customers Priority,Honest Operation,and Considerate Service”,our business mainly focus on the distribution of electronic components. Line cards we deal with include Microchip,ALPS,ROHM,Xilinx,Pulse,ON,Everlight and Freescale. Main products comprise IC,Modules,Potentiometer,IC Socket,Relay,Connector.Our parts cover such applications as commercial,industrial, and automotives areas.

We are looking forward to setting up business relationship with you and hope to provide you with the best service and solution. Let us make a better world for our industry!



Contact us

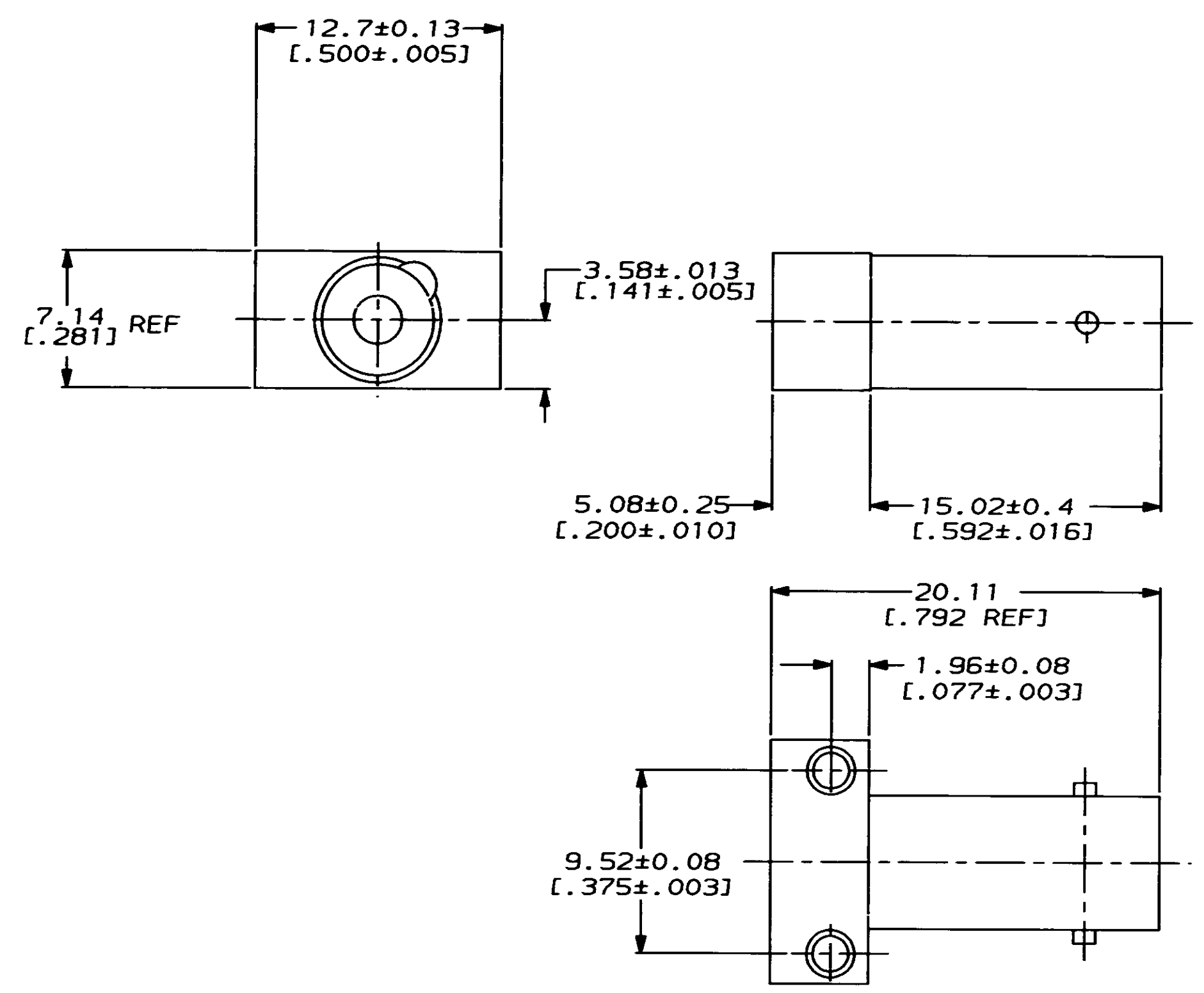
Tel: +86-755-8981 8866 Fax: +86-755-8427 6832

Email & Skype: info@chipsmall.com Web: www.chipsmall.com

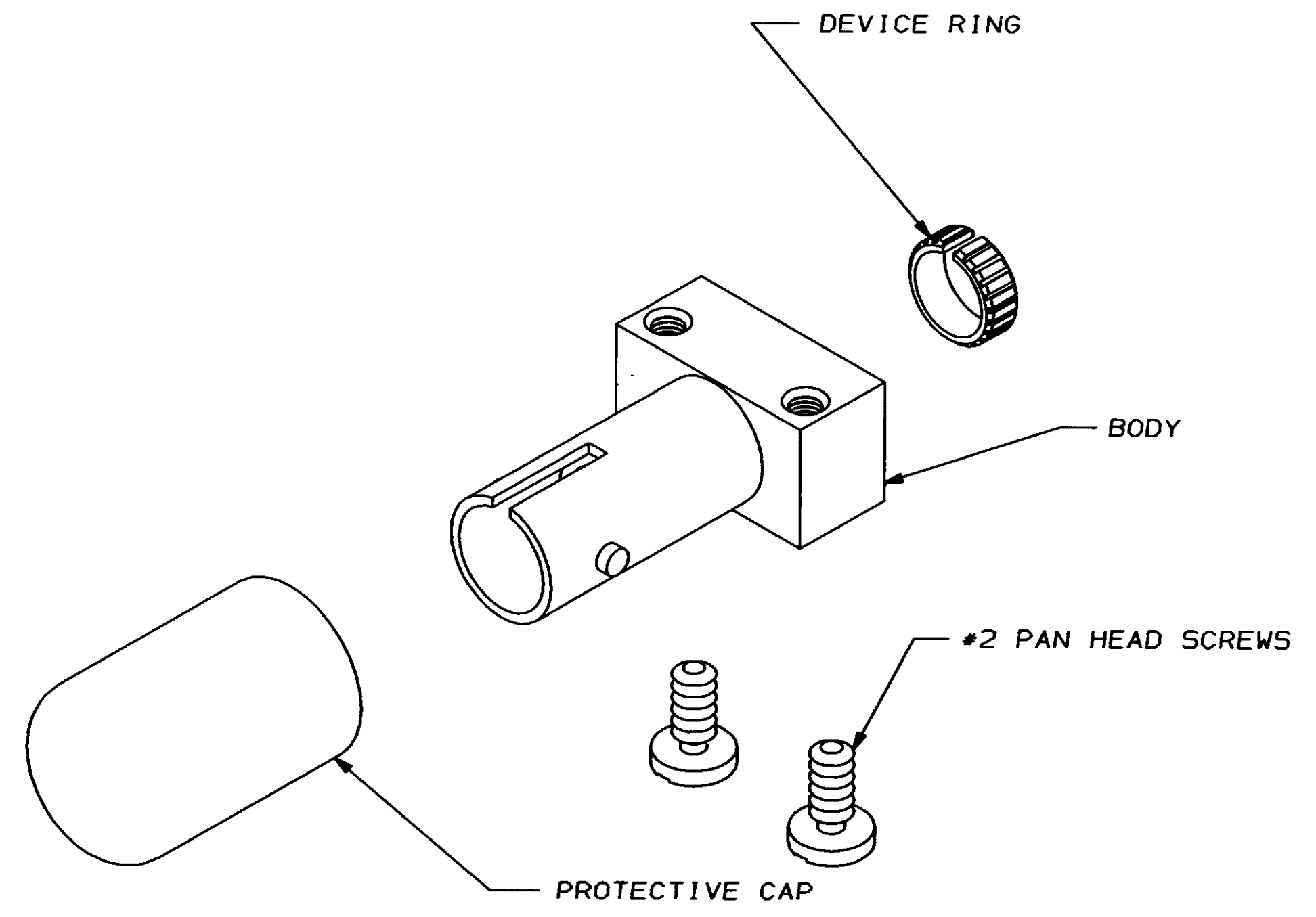
Address: A1208, Overseas Decoration Building, #122 Zhenhua RD., Futian, Shenzhen, China



LOC	DIST	P	F	ZONE	LTR	DESCRIPTION	DATE	APPD
CE	16				0	NPR 90-132	7-20-90	RH/FA
					A	REV PER ECN CE-2459	5-13-92	RH/FA



ACTIVE DEVICE MOUNT BODY



1. DIMENSIONS IN [] ARE IN INCHES.
 2. ACCEPTS ACTIVE DEVICES, TO-52, TO-18, TO-46, OR LOW COST HONEYWELL SWEETSPOT.
- ⚠ 1000 PCS BULK PACKAGED.

502585-2
502585-1
PART NUMBER

DO NOT SCALE PRINT. UNLESS SPECIFIED DIMENSIONS IN mm TOLERANCES ON: 2 PLC DEC ± 3 PLC DEC ± ANGLES ±	DR 4-20-90 R.HILEMAN	AMP INCORPORATED Harrisburg, Pa. 17105	
	CHK 4-20-90 F.ANTONICELLI		
MATERIAL	APPD 4-20-90 F.ANTONICELLI	NAME	
ADM BODY: ZINC	APPD 4-20-90 S.OWENS	ACTIVE DEVICE MOUNT KIT, 2.5mm BAYONET, OPTIMATE	
FINISH	PRODUCT SPEC	SIZE	FSCM NO
ADM BODY: NICKEL	APPLICATION SPEC	C	00779
	WEIGHT	SCALE	DRAWING NO
		4:1	502585
			SHEET 1 OF 1

METRIC