



Chipsmall Limited consists of a professional team with an average of over 10 year of expertise in the distribution of electronic components. Based in Hongkong, we have already established firm and mutual-benefit business relationships with customers from,Europe,America and south Asia,supplying obsolete and hard-to-find components to meet their specific needs.

With the principle of “Quality Parts,Customers Priority,Honest Operation,and Considerate Service”,our business mainly focus on the distribution of electronic components. Line cards we deal with include Microchip,ALPS,ROHM,Xilinx,Pulse,ON,Everlight and Freescale. Main products comprise IC,Modules,Potentiometer,IC Socket,Relay,Connector.Our parts cover such applications as commercial,industrial, and automotives areas.

We are looking forward to setting up business relationship with you and hope to provide you with the best service and solution. Let us make a better world for our industry!



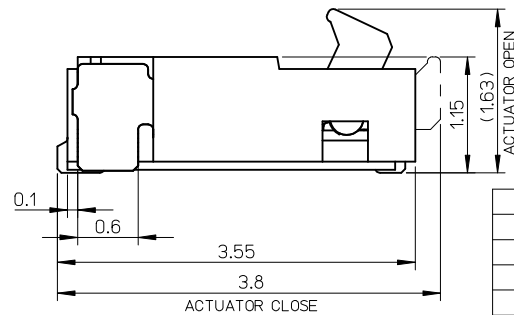
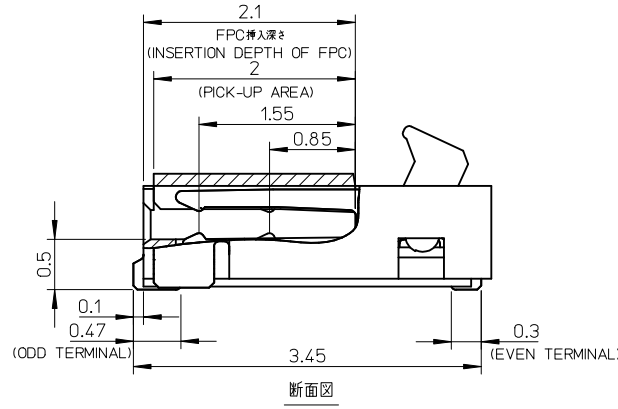
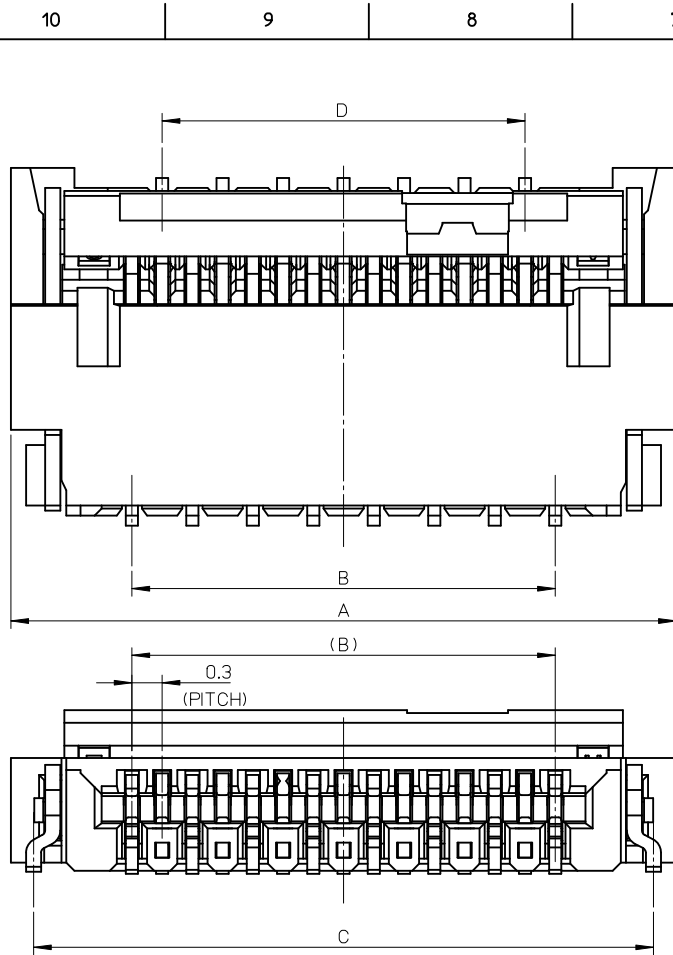
## Contact us

Tel: +86-755-8981 8866 Fax: +86-755-8427 6832

Email & Skype: info@chipsmall.com Web: www.chipsmall.com

Address: A1208, Overseas Decoration Building, #122 Zhenhua RD., Futian, Shenzhen, China





注記 NOTES:

- 材質 MATERIAL
  - ハウジング: LCP(液晶ポリマー)、白色、ガラス充填、UL94V-0
  - HOUSING: LIQUID CRYSTAL POLYMER, WHITE (NATURAL)
  - GLASS FILLED, UL94V-0
  - アクチュエータ: ポリアミド樹脂
  - 黒色、ガラス充填、UL94V-HB
  - ACTUATOR: POLYAMIDE
  - BLACK GLASS FILLED, UL94V-HB
  - ターミナル: 銅合金 (t=0.12)
  - TERMINAL: COPPER ALLOY (t=0.12)
  - 金具: 燐青銅 (t=0.15)
  - NAIL: PHOSPHOR BRONZE (t=0.15)
- めっき仕様 PLATING
  - ターミナル TERMINAL
  - 接点部: 金めっき 0.1μm以上
  - CONTACT AREA: GOLD 0.1 MICROMETER MINIMUM
  - 半田付け部: 金めっき
  - SOLDER TAIL AREA: GOLD
  - 下地めっき: ニッケル 1.0μm以上
  - UNDER PLATING: NICKEL 1.0 MICROMETER MINIMUM
  - 金具 NAIL
  - 錫めっき 1.0μm以上
  - TIN PLATING 1.0 MICROMETER MINIMUM
  - 下地めっき: ニッケル 1.0μm以上
  - UNDER PLATING: NICKEL 1.0 MICROMETER MINIMUM
- 平坦度は、0.1ミリ以下とする。  
TAILS COPLANARITY TO BE 0.1 MAXIMUM.
- 製品の取り扱いについては、コネクタ取り扱い説明書 (AS-502598-001) を参照願います。  
PLEASE REFER TO INSTRUCTION MANUAL (AS-502598-001) FOR 0.3 FPC CONNECTOR BACK FLIP.
- ELV及びRoHS適合品  
ELV AND RoHS COMPLIANT

0.125	14.4	16.95	15	17.4	502598-5191	51
0.112	12.6	15.15	13.2	15.6	502598-4591	45
0.098	10.8	13.35	11.4	13.8	502598-3991	39
0.085	9	11.55	9.6	12	502598-3391	33
0.077	7.8	10.35	8.4	10.8	502598-2991	29
0.072	7.2	9.75	7.8	10.2	502598-2791	27
0.068	6.6	9.15	7.2	9.6	502598-2591	25
0.063	6	8.55	6.6	9	502598-2391	23
重さ (g) WEIGHT(g)	D	C	B	A	EMBOSSED PACKAGE オーダー番号 ORDER NO.	極数 CIRCUITS

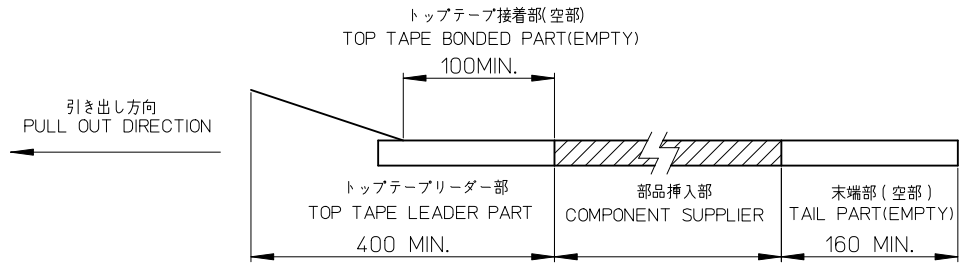
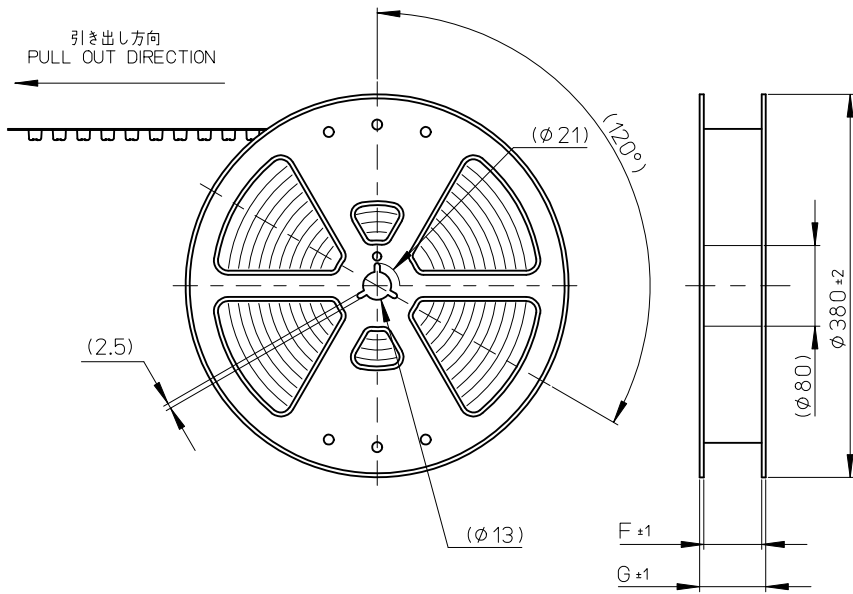
CONNECTOR SERIES NO. 502598-\*\*\*11

REVISED EC NO.: J2012-0121 DRWN: YUHASEGAWA 2011/07/25 CHKD: TAKAHASHI 2011/07/25 APPR: KMORIKAWA 2011/07/28	GENERAL TOLERANCES (UNLESS SPECIFIED)		DIMENSION STYLE MM ONLY	SCALE 20:1	DESIGN UNITS METRIC	THIRD ANGLE PROJECTION
	10 UNDER	±0.2	DRAWN BY HONO	DATE 2009/07/21	TITLE 0.3 FPC CONN. BACK FLIP HOUSING ASSY	
	10 OVER 30 UNDER	±0.25	CHECKED BY HSHIMOYAMA	DATE 2009/07/21	MOLEX INCORPORATED	
	30 OVER	±0.3	APPROVED BY KMORIKAWA	DATE 2009/07/21	DOCUMENT NO. SD-502598-001	SHEET NO. 1 OF 2
	ANGULAR ±1 °	DRAFT WHERE APPLICABLE MUST REMAIN WITHIN DIMENSIONS	MATERIAL NO. SEE TABLE	THIS DRAWING CONTAINS INFORMATION THAT IS PROPRIETARY TO MOLEX INCORPORATED AND SHOULD NOT BE USED WITHOUT WRITTEN PERMISSION		



注記)  
NOTES

1. 製品番号502598-\*\*11の詳細寸法は、製品単体図面を参照下さい。  
IN THE PACKAGE PART NUMBER 502598-\*\*11 DETAIL DIMENSIONS, SEE SALES DRAWING FOR CONNECTOR.
2. 梱包数量: 3000個/リール  
NUMBER OF CONNECTORS : 3000 PCS/REEL
3. リードテープ長さ  
LEAD TAPE LENGTH



4. カバーテープの剥離強度については、IEC60286-3に準拠  
COVER TAPE PEEL FORCE IS DEFINED BY IEC 60286-3.

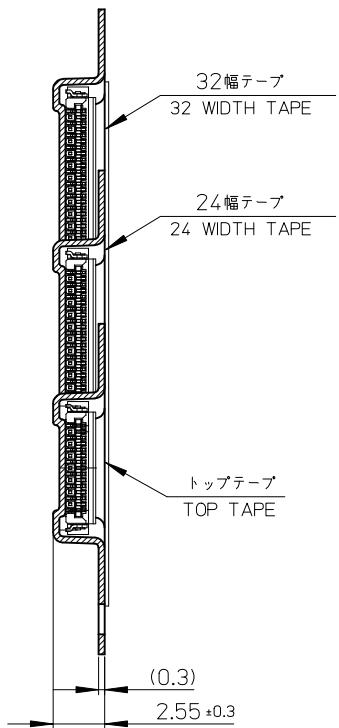
5. 材料

MATERIAL

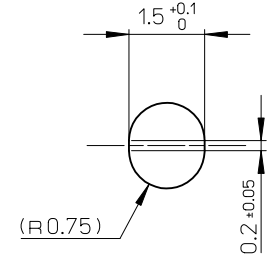
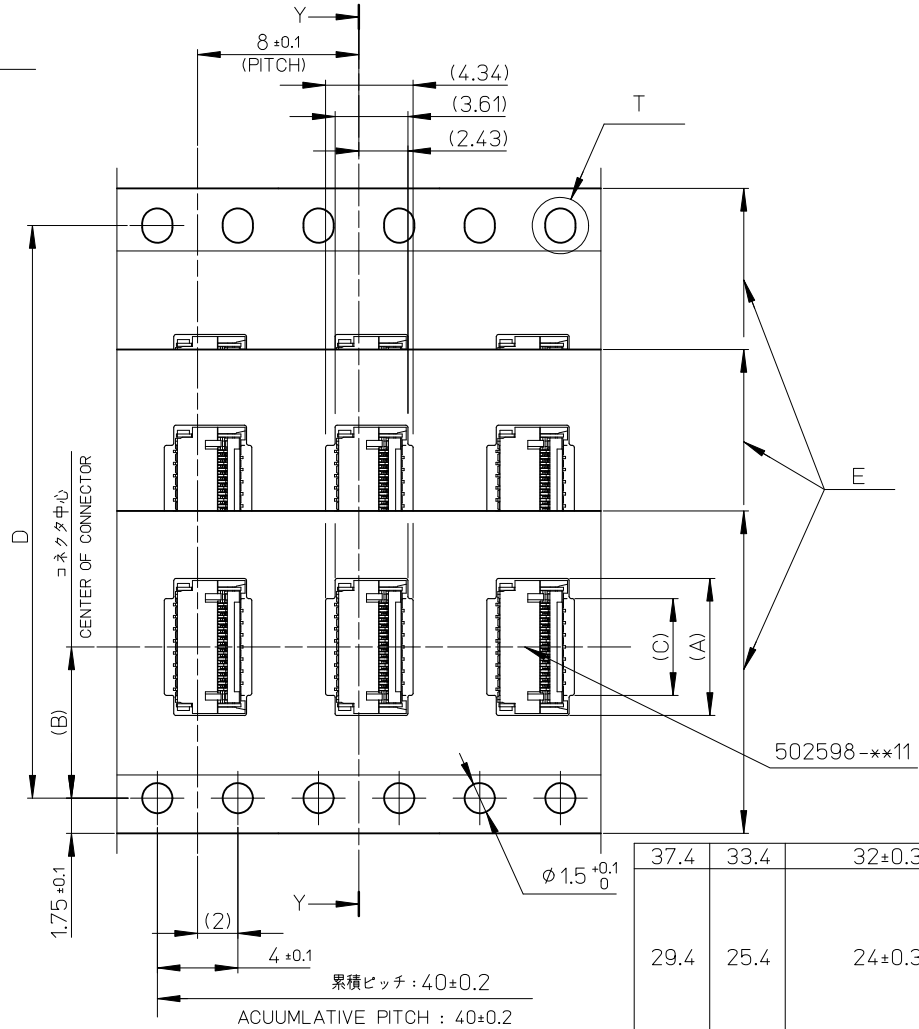
- キャリアテープ: ポリスチレン (PS)
  - CARRIER TAPE: POLYSTYRENE (PS)
  - トップテープ: ポリエチレンテレフタレート (PET)、他
  - TOP TAPE : POLYETHYLENE TELEPHTHALATE (PET), OTHERS
  - リール: ポリスチレン (PS)
  - REEL: POLYSTYRENE (PS)
6. ELV及びRoHS適合品  
ELV AND RoHS COMPLIANT

REVISED EC NO: J2011-0028 DRWN: HONO01 2010/07/06 CHK'D: HSHIMOYAMA 2009/07/21 APPR: KMORIKAWA 2010/07/08	DESCRIPTION REV	GENERAL TOLERANCES (UNLESS SPECIFIED)		DIMENSION STYLE MM ONLY		SCALE ---	DESIGN UNITS METRIC	THIRD ANGLE PROJECTION		
		10 UNDER	± ---	DRAWN BY HONO	DATE 2009/07/21	TITLE 0.3 FPC CONN. BACK FLIP TAPING PACKAGE (502598-**11 SERIES)				
		10 OVER 30 UNDER	± ---	CHECKED BY HSHIMOYAMA	DATE 2009/07/21	MOLEX MOLEX INCORPORATED				
		30 OVER	± ---	APPROVED BY KMORIKAWA	DATE 2009/07/21	DOCUMENT NO. SD-502598-002				
ANGULAR ±1 °		DRAFT WHERE APPLICABLE MUST REMAIN WITHIN DIMENSIONS		MATERIAL NO. SEE TABLE		SHEET NO. 1 OF 2				
SIZE A3		THIS DRAWING CONTAINS INFORMATION THAT IS PROPRIETARY TO MOLEX INCORPORATED AND SHOULD NOT BE USED WITHOUT WRITTEN PERMISSION								

引き出し方向  
PULL OUT DIRECTION



断面 Y-Y  
SECTION Y-Y



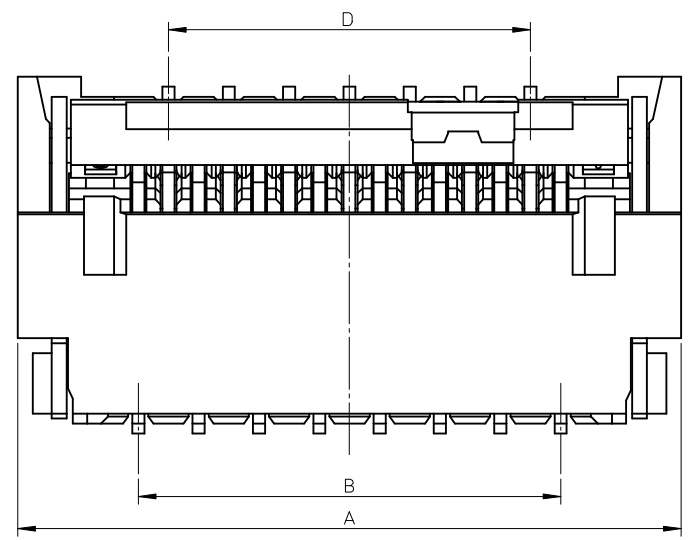
T部詳細  
DETAIL T

37.4	33.4	32 ± 0.3	28.4	15.7	14.2	17.6	502598-5191	51
29.4	25.4	24 ± 0.3	--	13.9	11.5	15.8	502598-4591	45
				12.1		14	502598-3991	39
				10.3		12.2	502598-3391	33
				9.1		11	502598-2991	29
				8.5		10.4	502598-2791	27
				7.9		9.8	502598-2591	25
				7.3		9.2	502598-2391	23
G	F	E キャリアテープ幅 EMBOSSD TAPE WIDTH	D	C	B	A	製品番号 MATERIAL NO.	極数 CIRCUITS

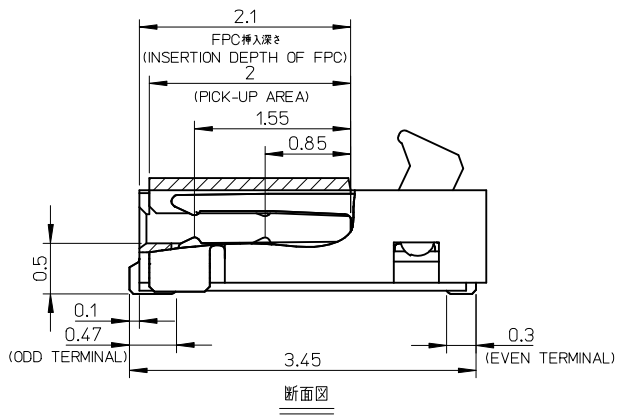
REVISED EC NO: J2011-0028 DRWN: HONO01 CHKD: HSHIMUYAMA APPR: KMORIKAWA	DESCRIPTION REV	GENERAL TOLERANCES (UNLESS SPECIFIED)		DIMENSION STYLE MM ONLY		SCALE ---	DESIGN UNITS METRIC	THIRD ANGLE PROJECTION		
		10 UNDER	± ---	DRAWN BY HONO	DATE 2009/07/21	TITLE 0.3 FPC CONN. BACK FLIP TAPING PACKAGE (502598-**11 SERIES)				
		10 OVER 30 UNDER	± ---	CHECKED BY HSHIMUYAMA	DATE 2009/07/21	MOLEX INCORPORATED				
		30 OVER	± ---	APPROVED BY KMORIKAWA	DATE 2009/07/21	DOCUMENT NO. SD-502598-002				
ANGULAR ± 1 °		DRAFT WHERE APPLICABLE MUST REMAIN WITHIN DIMENSIONS		SEE TABLE		SHEET NO. 2 OF 2		THIS DRAWING CONTAINS INFORMATION THAT IS PROPRIETARY TO MOLEX INCORPORATED AND SHOULD NOT BE USED WITHOUT WRITTEN PERMISSION		



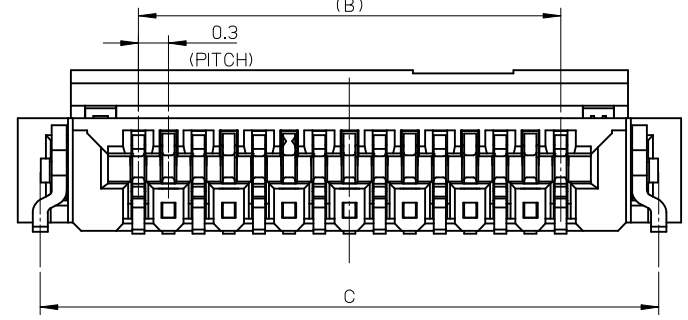
F



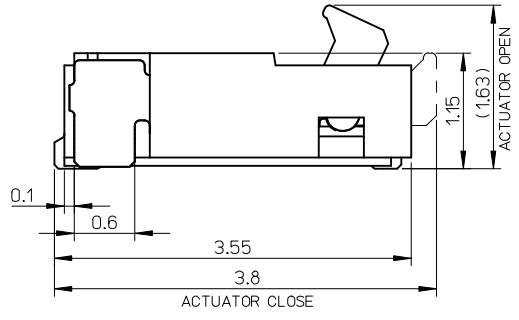
E



D



C



B

注記 NOTES:  
 1.材質 MATERIAL  
 ハウジング: LCP(液晶ポリマー)、白色、ガラス充填、UL94V-0  
 HOUSING: LIQUID CRYSTAL POLYMER, WHITE (NATURAL)  
 GLASS FILLED, UL94V-0  
 アクチュエータ: ポリアミド樹脂  
 黒色、ガラス充填、UL94V-HB  
 ACTUATOR: POLYAMIDE  
 BLACK GLASS FILLED, UL94V-HB  
 ターミナル: 燐青銅 (t=0.12)  
 TERMINAL: PHOSPHOR BRONZE (t=0.12)  
 金具: 燐青銅 (t=0.15)  
 NAIL: PHOSPHOR BRONZE (t=0.15)

2.めっき仕様 PLATING  
 ターミナル TERMINAL  
 接点部: 金めっき 0.1μm以上  
 CONTACT AREA: GOLD 0.1 MICROMETER MINIMUM  
 半田付け部: 金めっき  
 SOLDER TAIL AREA: GOLD  
 下地めっき: ニッケル 1.0μm以上  
 UNDER PLATING: NICKEL 1.0 MICROMETER MINIMUM  
 金具 NAIL  
 錫めっき 1.0μm以上  
 TIN PLATING 1.0 MICROMETER MINIMUM  
 下地めっき: ニッケル 1.0μm以上  
 UNDER PLATING: NICKEL 1.0 MICROMETER MINIMUM

3.平坦度は、0.1ミリ以下とする。  
 TAILS COPLANARITY TO BE 0.1 MAXIMUM.

4.ELV及びRoHS適合品  
 ELV AND ROHS COMPLIANT

5.本製品は502598-\*\*91の端子材料変更品である。  
 THIS PRODUCT IS CHANGE OF TERMINAL MATERIAL FOR 502598-\*\*91.

0.125	14.4	16.95	15	17.4	502598-5193	51
0.112	12.6	15.15	13.2	15.6	502598-4593	45
0.098	10.8	13.35	11.4	13.8	502598-3993	39
0.085	9	11.55	9.6	12	502598-3393	33
0.077	7.8	10.35	8.4	10.8	502598-2993	29
0.072	7.2	9.75	7.8	10.2	502598-2793	27
0.068	6.6	9.15	7.2	9.6	502598-2593	25
0.063	6	8.55	6.6	9	502598-2393	23
重さ (g) WEIGHT(g)	D	C	B	A	EMBOSSED PACKAGE オーダー番号 ORDER NO.	極数 CIRCUITS

CONNECTOR SERIES NO. 502598-\*\*21

A

RELEASED IEC NO: J2013-0083 DRW: KMIYAHARA 2012/07/18 CHKD: KTAKAHASHI 2012/07/18 APPR: KMORIKAWA 2012/08/01	GENERAL TOLERANCES (UNLESS SPECIFIED)		DIMENSION STYLE	SCALE	DESIGN UNITS	THIRD ANGLE PROJECTION  <b>0.3 FPC CONN. BACK FLIP HOUSING ASSY</b>  <b>molex</b>
			MM ONLY	---	METRIC	
	10 UNDER	±0.2	DRAWN BY	DATE	TITLE	
	10 OVER 30 UNDER	±0.25	KMIYAHARA	2012/07/18		
		CHECKED BY	DATE			
30 OVER	±0.3	KTAKAHASHI	2012/07/18			
		APPROVED BY	DATE			
		KMORIKAWA	2012/08/01			
		MATERIAL NO.	DOCUMENT NO.		SHEET NO.	
		ANGULAR ±1 °	SEE TABLE		SD-502598-003	
		DRAFT WHERE APPLICABLE MUST REMAIN WITHIN DIMENSIONS	THIS DRAWING CONTAINS INFORMATION THAT IS PROPRIETARY TO MOLEX INCORPORATED AND SHOULD NOT BE USED WITHOUT WRITTEN PERMISSION		1 OF 2	

