



Chipsmall Limited consists of a professional team with an average of over 10 year of expertise in the distribution of electronic components. Based in Hongkong, we have already established firm and mutual-benefit business relationships with customers from,Europe,America and south Asia,supplying obsolete and hard-to-find components to meet their specific needs.

With the principle of “Quality Parts,Customers Priority,Honest Operation,and Considerate Service”,our business mainly focus on the distribution of electronic components. Line cards we deal with include Microchip,ALPS,ROHM,Xilinx,Pulse,ON,Everlight and Freescale. Main products comprise IC,Modules,Potentiometer,IC Socket,Relay,Connector.Our parts cover such applications as commercial,industrial, and automotives areas.

We are looking forward to setting up business relationship with you and hope to provide you with the best service and solution. Let us make a better world for our industry!



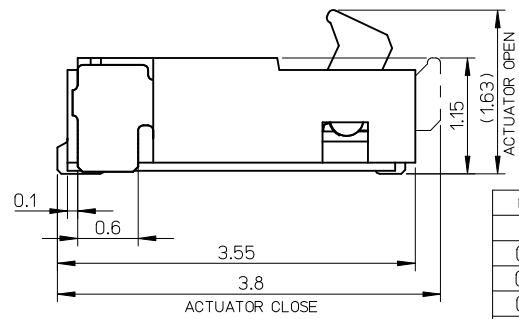
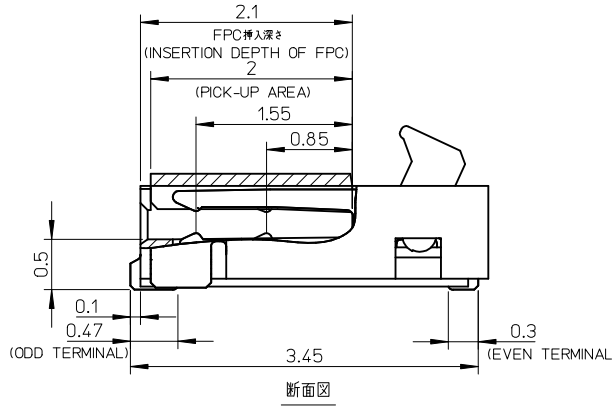
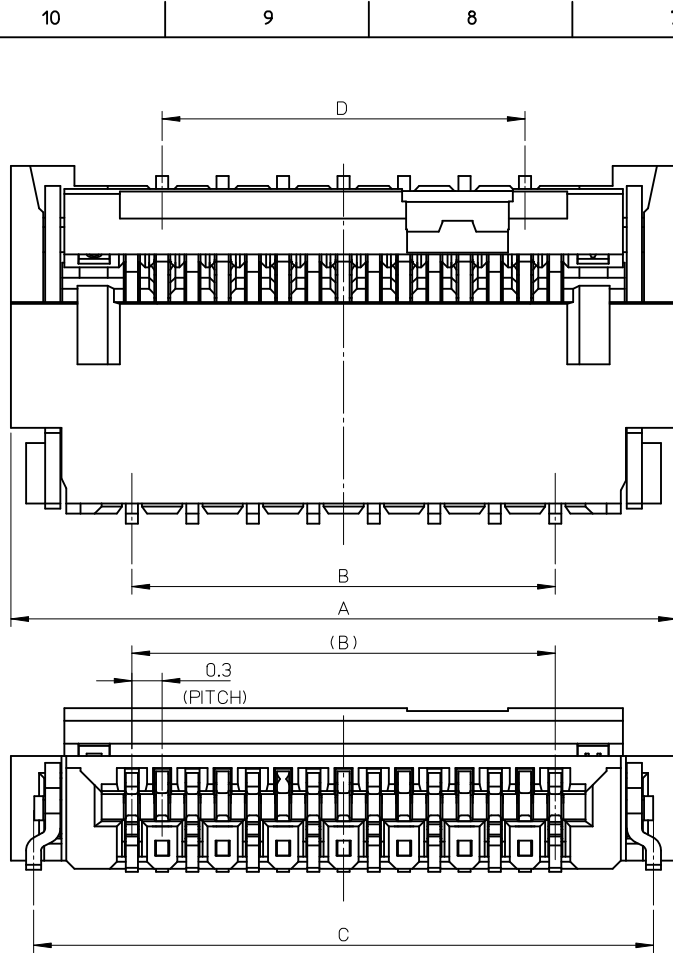
Contact us

Tel: +86-755-8981 8866 Fax: +86-755-8427 6832

Email & Skype: info@chipsmall.com Web: www.chipsmall.com

Address: A1208, Overseas Decoration Building, #122 Zhenhua RD., Futian, Shenzhen, China





注記 NOTES:

- 材質 MATERIAL
 - ハウジング: LCP(液晶ポリマー)、白色、ガラス充填、UL94V-0
 - HOUSING: LIQUID CRYSTAL POLYMER, WHITE (NATURAL)
 - GLASS FILLED, UL94V-0
 - アクチュエータ: ポリアミド樹脂
 - 黒色、ガラス充填、UL94V-HB
 - ACTUATOR: POLYAMIDE
 - BLACK GLASS FILLED, UL94V-HB
 - ターミナル: 銅合金 (t=0.12)
 - TERMINAL: COPPER ALLOY (t=0.12)
 - 金具: 燐青銅 (t=0.15)
 - NAIL: PHOSPHOR BRONZE (t=0.15)
- めっき仕様 PLATING
 - ターミナル TERMINAL
 - 接点部: 金めっき 0.1μm以上
 - CONTACT AREA: GOLD 0.1 MICROMETER MINIMUM
 - 半田付け部: 金めっき
 - SOLDER TAIL AREA: GOLD
 - 下地めっき: ニッケル 1.0μm以上
 - UNDER PLATING: NICKEL 1.0 MICROMETER MINIMUM
 - 金具 NAIL
 - 錫めっき 1.0μm以上
 - TIN PLATING 1.0 MICROMETER MINIMUM
 - 下地めっき: ニッケル 1.0μm以上
 - UNDER PLATING: NICKEL 1.0 MICROMETER MINIMUM
- 平坦度は、0.1ミリ以下とする。
TAILS COPLANARITY TO BE 0.1 MAXIMUM.
- 製品の取り扱いについては、コネクタ取り扱い説明書 (AS-502598-001) を参照願います。
PLEASE REFER TO INSTRUCTION MANUAL (AS-502598-001) FOR 0.3 FPC CONNECTOR BACK FLIP.
- ELV及びRoHS適合品
ELV AND RoHS COMPLIANT

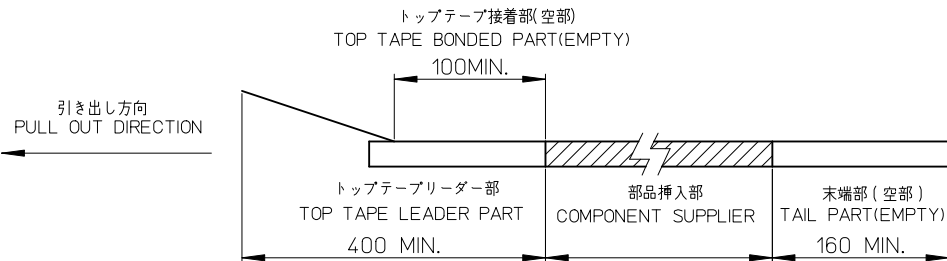
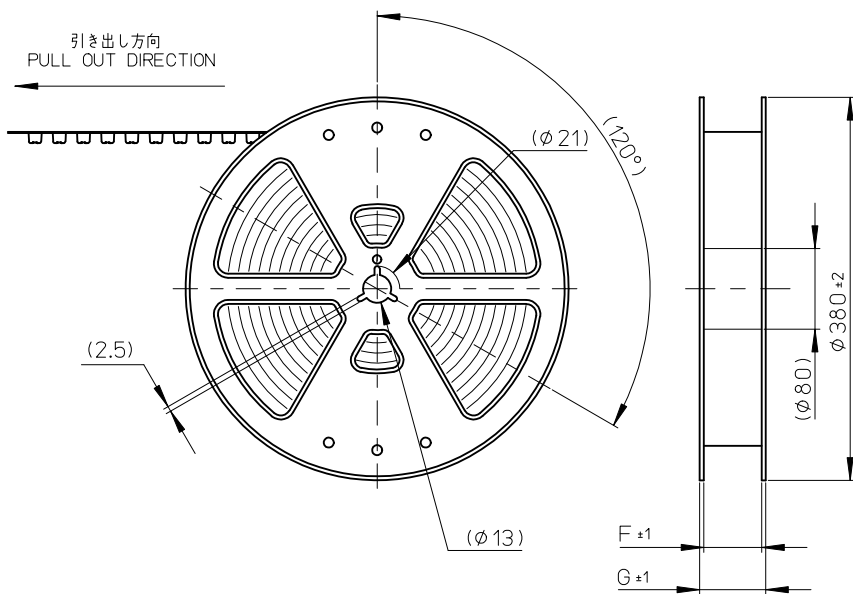
0.125	14.4	16.95	15	17.4	502598-5191	51
0.112	12.6	15.15	13.2	15.6	502598-4591	45
0.098	10.8	13.35	11.4	13.8	502598-3991	39
0.085	9	11.55	9.6	12	502598-3391	33
0.077	7.8	10.35	8.4	10.8	502598-2991	29
0.072	7.2	9.75	7.8	10.2	502598-2791	27
0.068	6.6	9.15	7.2	9.6	502598-2591	25
0.063	6	8.55	6.6	9	502598-2391	23
重さ (g) WEIGHT(g)	D	C	B	A	EMBOSSED PACKAGE オーダー番号 ORDER NO.	極数 CIRCUITS

CONNECTOR SERIES NO. 502598-***11

REVISED EC NO: J2012-0121 DRWN: YUHASEGAWA 2011/07/25 CHKD: TAKAHASHI 2011/07/25 APPR: KMORIKAWA 2011/07/28	GENERAL TOLERANCES (UNLESS SPECIFIED)		DIMENSION STYLE	SCALE	DESIGN UNITS	THIRD ANGLE PROJECTION
			MM ONLY	20:1	METRIC	
	10 UNDER	±0.2	DRAWN BY	DATE	TITLE	
	10 OVER 30 UNDER	±0.25	HONO	2009/07/21	0.3 FPC CONN. BACK FLIP HOUSING ASSY	
	30 OVER	±0.3	CHECKED BY	DATE	MOLEX INCORPORATED	
ANGULAR	±1 °	HSHIMOYAMA	2009/07/21	MOLEX INCORPORATED		
DRAFT WHERE APPLICABLE MUST REMAIN WITHIN DIMENSIONS		APPROVED BY	DATE	DOCUMENT NO.		
		KMORIKAWA	2009/07/21	SD-502598-001		
		MATERIAL NO.	SEE TABLE		SHEET NO.	
		SIZE	THIS DRAWING CONTAINS INFORMATION THAT IS PROPRIETARY TO MOLEX INCORPORATED AND SHOULD NOT BE USED WITHOUT WRITTEN PERMISSION		1 OF 2	
		A3				

注記)
NOTES

1. 製品番号502598-**11の詳細寸法は、製品単体図面を参照下さい。
IN THE PACKAGE PART NUMBER 502598-**11 DETAIL DIMENSIONS, SEE SALES DRAWING FOR CONNECTOR.
2. 梱包数量: 3000個/リール
NUMBER OF CONNECTORS : 3000 PCS/REEL
3. リードテープ長さ
LEAD TAPE LENGTH



4. カバーテープの剥離強度については、IEC60286-3に準拠
COVER TAPE PEEL FORCE IS DEFINED BY IEC 60286-3.

5. 材料

MATERIAL

キャリアテープ: ポリスチレン (PS)
CARRIER TAPE: POLYSTYRENE (PS)
トップテープ: ポリエチレンテレフタレート (PET)、他
TOP TAPE: POLYETHYLENE TELEPHTHALATE (PET), OTHERS
リール: ポリスチレン (PS)
REEL: POLYSTYRENE (PS)

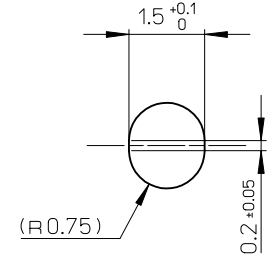
6. ELV及びRoHS適合品

ELV AND RoHS COMPLIANT

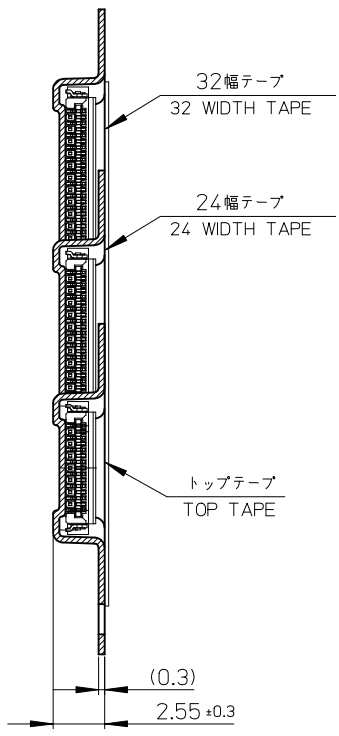
REVISED EC NO: J2011-0028 DRWN: HONO01 2010/07/06 CHKD: HSHIMOYAMA 2009/07/21 APPR: KMORIKAWA 2010/07/08	DESCRIPTION REV	GENERAL TOLERANCES (UNLESS SPECIFIED)		DIMENSION STYLE MM ONLY		SCALE ---	DESIGN UNITS METRIC	THIRD ANGLE PROJECTION		
		10 UNDER	± ---	DRAWN BY HONO	DATE 2009/07/21	TITLE 0.3 FPC CONN. BACK FLIP TAPING PACKAGE (502598-**11 SERIES)				
		10 OVER 30 UNDER	± ---	CHECKED BY HSHIMOYAMA	DATE 2009/07/21	MOLEX INCORPORATED				
		30 OVER	± ---	APPROVED BY KMORIKAWA	DATE 2009/07/21	DOCUMENT NO. SD-502598-002				
		ANGULAR ±1 °		MATERIAL NO.	SEE TABLE					
		DRAFT WHERE APPLICABLE MUST REMAIN WITHIN DIMENSIONS		SIZE A3	THIS DRAWING CONTAINS INFORMATION THAT IS PROPRIETARY TO MOLEX INCORPORATED AND SHOULD NOT BE USED WITHOUT WRITTEN PERMISSION					
								SHEET NO. 1 OF 2		

引き出し方向
PULL OUT DIRECTION

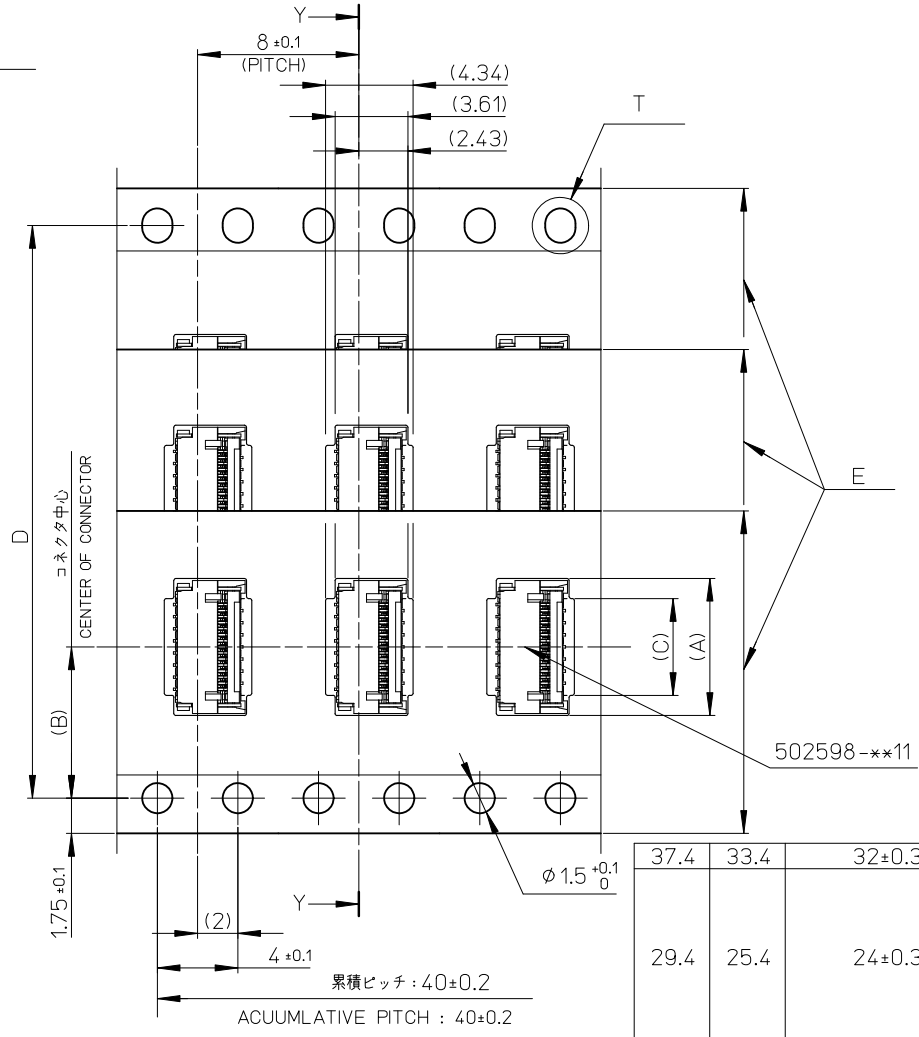
Y
8 ±0.1
(PITCH)
(4.34)
(3.61)
(2.43)



T部詳細
DETAIL T



断面 Y-Y
SECTION Y-Y



37.4	33.4	32±0.3	28.4	15.7	14.2	17.6	502598-5191	51
29.4	25.4	24±0.3	--	13.9	11.5	15.8	502598-4591	45
				12.1		14	502598-3991	39
				10.3		12.2	502598-3391	33
				9.1		11	502598-2991	29
				8.5		10.4	502598-2791	27
				7.9		9.8	502598-2591	25
				7.3		9.2	502598-2391	23
G	F	E キャリアテープ幅 EMBOSSED TAPE WIDTH	D	C	B	A	製品番号 MATERIAL NO.	極数 CIRCUITS

REVISED EC NO: J2011-0028 DRWN: HONO01 CHKD: HSHIMOYAMA APPR: KMORIKAWA	DESCRIPTION REV	GENERAL TOLERANCES (UNLESS SPECIFIED)		DIMENSION STYLE MM ONLY		SCALE ---	DESIGN UNITS METRIC	THIRD ANGLE PROJECTION	
		10 UNDER	± ---	DRAWN BY HONO	DATE 2009/07/21	TITLE 0.3 FPC CONN. BACK FLIP TAPING PACKAGE (502598-**11 SERIES)			
		10 OVER 30 UNDER	± ---	CHECKED BY HSHIMOYAMA	DATE 2009/07/21	MOLEX INCORPORATED DOCUMENT NO. SD-502598-002 SHEET NO. 2 OF 2			
		30 OVER	± ---	APPROVED BY KMORIKAWA	DATE 2009/07/21				
ANGULAR ±1 °		DRAFT WHERE APPLICABLE MUST REMAIN WITHIN DIMENSIONS		SEE TABLE		THIS DRAWING CONTAINS INFORMATION THAT IS PROPRIETARY TO MOLEX INCORPORATED AND SHOULD NOT BE USED WITHOUT WRITTEN PERMISSION			