



Chipsmall Limited consists of a professional team with an average of over 10 year of expertise in the distribution of electronic components. Based in Hongkong, we have already established firm and mutual-benefit business relationships with customers from,Europe,America and south Asia,supplying obsolete and hard-to-find components to meet their specific needs.

With the principle of “Quality Parts,Customers Priority,Honest Operation,and Considerate Service”,our business mainly focus on the distribution of electronic components. Line cards we deal with include Microchip,ALPS,ROHM,Xilinx,Pulse,ON,Everlight and Freescale. Main products comprise IC,Modules,Potentiometer,IC Socket,Relay,Connector.Our parts cover such applications as commercial,industrial, and automotives areas.

We are looking forward to setting up business relationship with you and hope to provide you with the best service and solution. Let us make a better world for our industry!



Contact us

Tel: +86-755-8981 8866 Fax: +86-755-8427 6832

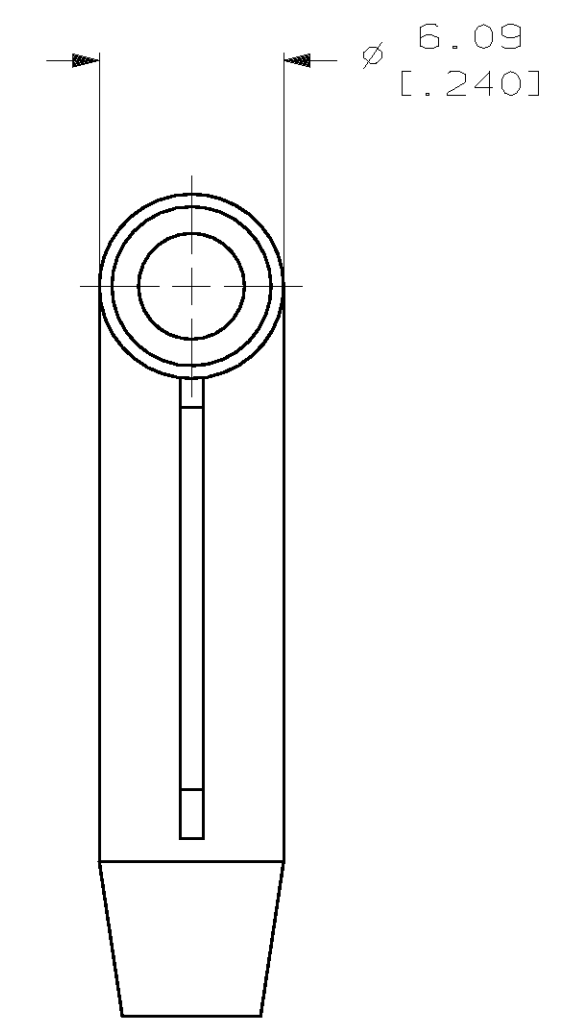
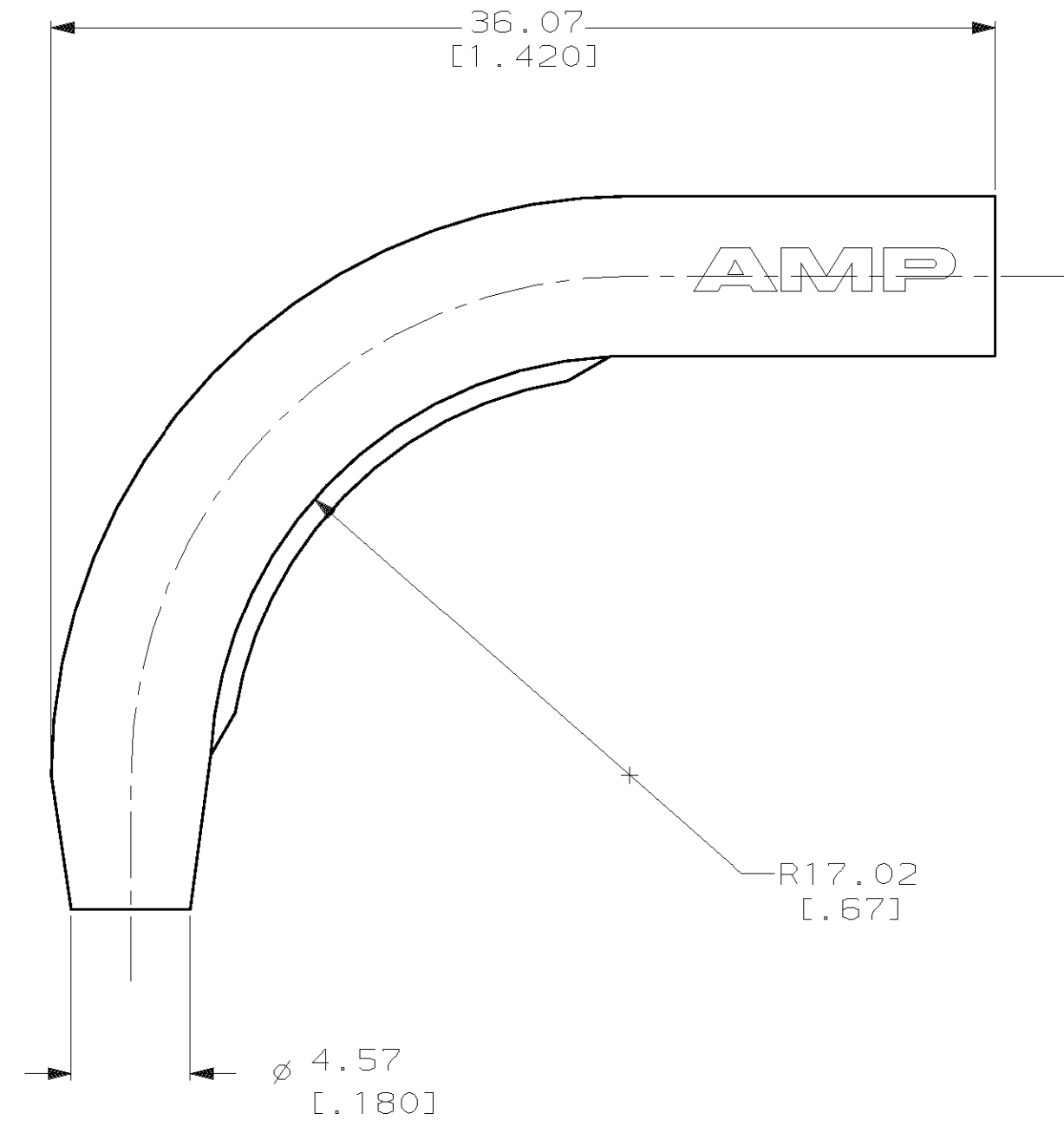
Email & Skype: info@chipsmall.com Web: www.chipsmall.com

Address: A1208, Overseas Decoration Building, #122 Zhenhua RD., Futian, Shenzhen, China




LOC	DIST	P	F	ZONE	LTR	REVISIONS	DATE	APPD
CE	16				E	REVISED PER 0A00-0546-00	19JUL00	TA/5B

△ BULK PACKAGED



△	COLOR	PART NO
△	WHITE	1-502667-4
△	GREEN	1-502667-2
△	YELLOW	1-502667-0
△	RED	502667-9
△	BEIGE	502667-8
△	BLUE	502667-7
△	BLACK	502667-6

DO NOT SCALE PRINT. UNLESS SPECIFIED DIMENSIONS IN mm [INCHES] TOLERANCES ON : 2 PLC DEC ± - 3 PLC DEC ± - ANGLES ± -		DR 3-16-92 L. COLLINS	 AMP Incorporated Harrisburg, PA 17105-3608	
MATERIAL THERMOPLASTIC ELASTOMER		CHK 3-16-92 R. HILEMAN		
FINISH -		APPD 3-16-92 F. ANTONICELLI	NAME STRAIN RELIEF, RIGHT ANGLE, 2.5mm BAYONET, OPTIMATE®	
-		APPD 3-16-92 S. OWENS	SIZE C 00779	DRAWING NO 502667
-		PRODUCT SPEC -	SCALE 4:1	SHEET 1 OF 1
-		APPLICATION SPEC -		
-		WEIGHT -		