



Chipsmall Limited consists of a professional team with an average of over 10 year of expertise in the distribution of electronic components. Based in Hongkong, we have already established firm and mutual-benefit business relationships with customers from,Europe,America and south Asia,supplying obsolete and hard-to-find components to meet their specific needs.

With the principle of “Quality Parts,Customers Priority,Honest Operation,and Considerate Service”,our business mainly focus on the distribution of electronic components. Line cards we deal with include Microchip,ALPS,ROHM,Xilinx,Pulse,ON,Everlight and Freescale. Main products comprise IC,Modules,Potentiometer,IC Socket,Relay,Connector.Our parts cover such applications as commercial,industrial, and automotives areas.

We are looking forward to setting up business relationship with you and hope to provide you with the best service and solution. Let us make a better world for our industry!



Contact us

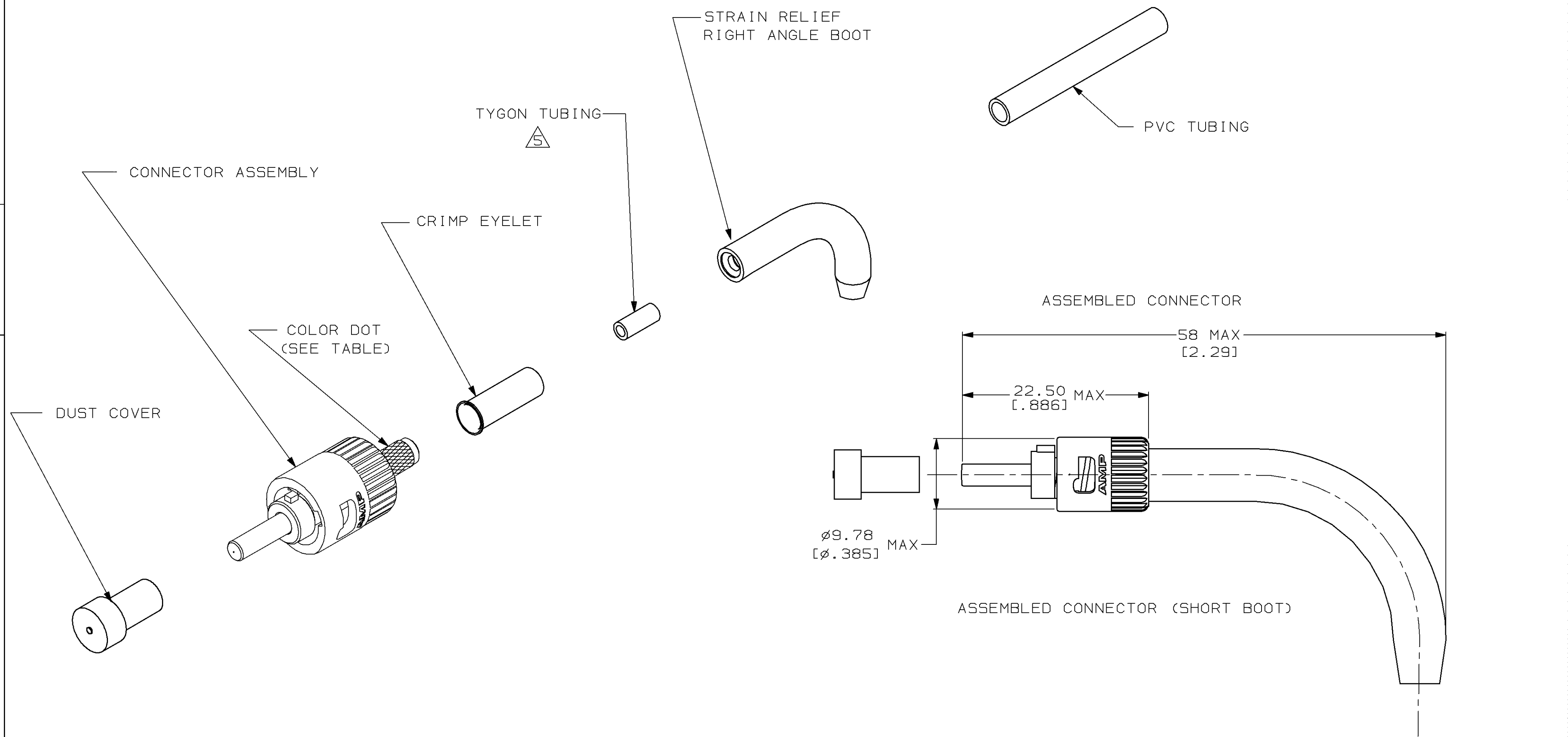
Tel: +86-755-8981 8866 Fax: +86-755-8427 6832

Email & Skype: info@chipsmall.com Web: www.chipsmall.com

Address: A1208, Overseas Decoration Building, #122 Zhenhua RD., Futian, Shenzhen, China



LOC		DIST		ZONE		LTR		REVISIONS		DATE	APPD
CE	16	P	F			E		DESCRIPTION	REV PER 0A00-0406-95	11-1-95	DDE



- DIMENSIONS IN [] ARE IN INCHES.
 - INSTRUCTION SHEET 6935.
- ③ BODY: BRASS
 CAPILLARY: CERAMIC
 COUPLING NUT: ZINC
 STRAIN RELIEF: TPE
 - ④ BODY: ELECTROLESS NICKEL
 COUPLING NUT: ELECTROLESS NICKEL
 - ⑤ USE WITH 900µm BUFFERED FIBER ONLY.

METRIC

DO NOT SCALE PRINT. UNLESS SPECIFIED DIMENSIONS IN mm TOLERANCES ON :	DR 2-1-91 R.HILEMAN	AMP INCORPORATED Harrisburg, Pa. 17105	
2 PLC DEC ± —	CHK 2-1-91 B.BRIGGS	NAME	
3 PLC DEC ± —	APPD 2-7-91 F.ANTONICELLI	CONNECTOR KIT, RIGHT ANGLE, 2.5mm BAYONET, OPTIMATE®	
ANGLES ± —	APPD 2-7-91 D.COLLINS	SIZE	FSCM NO
MATERIAL	PRODUCT SPEC	C	00779
	108-45113	SCALE	2:1
FINISH	APPLICATION SPEC	DRAWING NO	502674
		SHEET	1 OF 1
	WEIGHT		