



Chipsmall Limited consists of a professional team with an average of over 10 year of expertise in the distribution of electronic components. Based in Hongkong, we have already established firm and mutual-benefit business relationships with customers from,Europe,America and south Asia,supplying obsolete and hard-to-find components to meet their specific needs.

With the principle of “Quality Parts,Customers Priority,Honest Operation,and Considerate Service”,our business mainly focus on the distribution of electronic components. Line cards we deal with include Microchip,ALPS,ROHM,Xilinx,Pulse,ON,Everlight and Freescale. Main products comprise IC,Modules,Potentiometer,IC Socket,Relay,Connector.Our parts cover such applications as commercial,industrial, and automotives areas.

We are looking forward to setting up business relationship with you and hope to provide you with the best service and solution. Let us make a better world for our industry!



Contact us

Tel: +86-755-8981 8866 Fax: +86-755-8427 6832

Email & Skype: info@chipsmall.com Web: www.chipsmall.com

Address: A1208, Overseas Decoration Building, #122 Zhenhua RD., Futian, Shenzhen, China



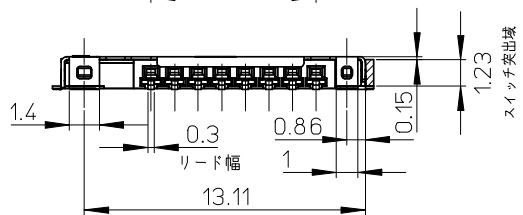
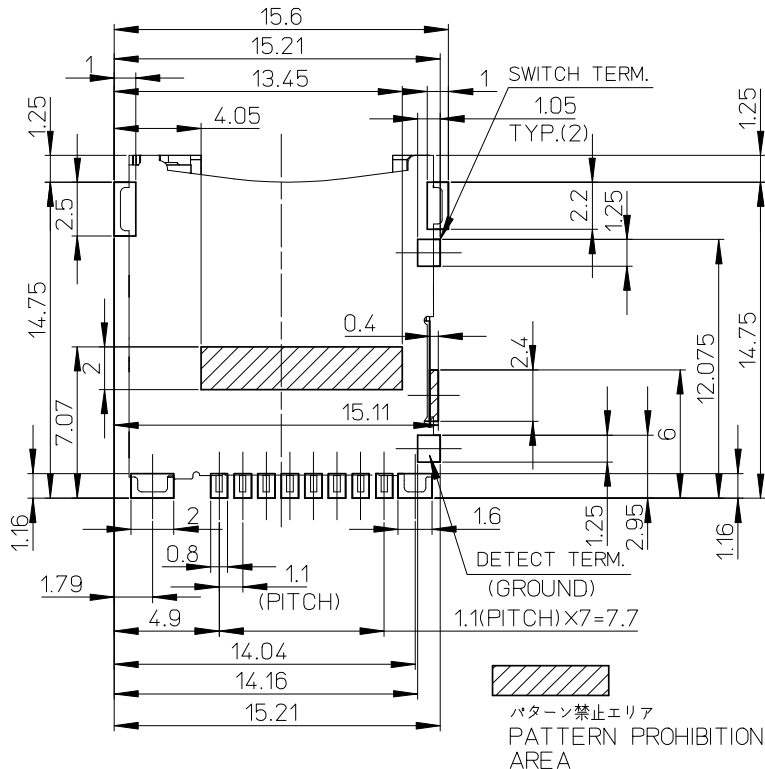
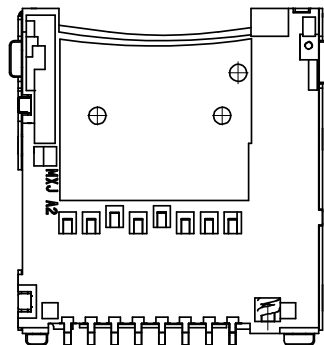
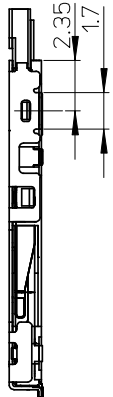
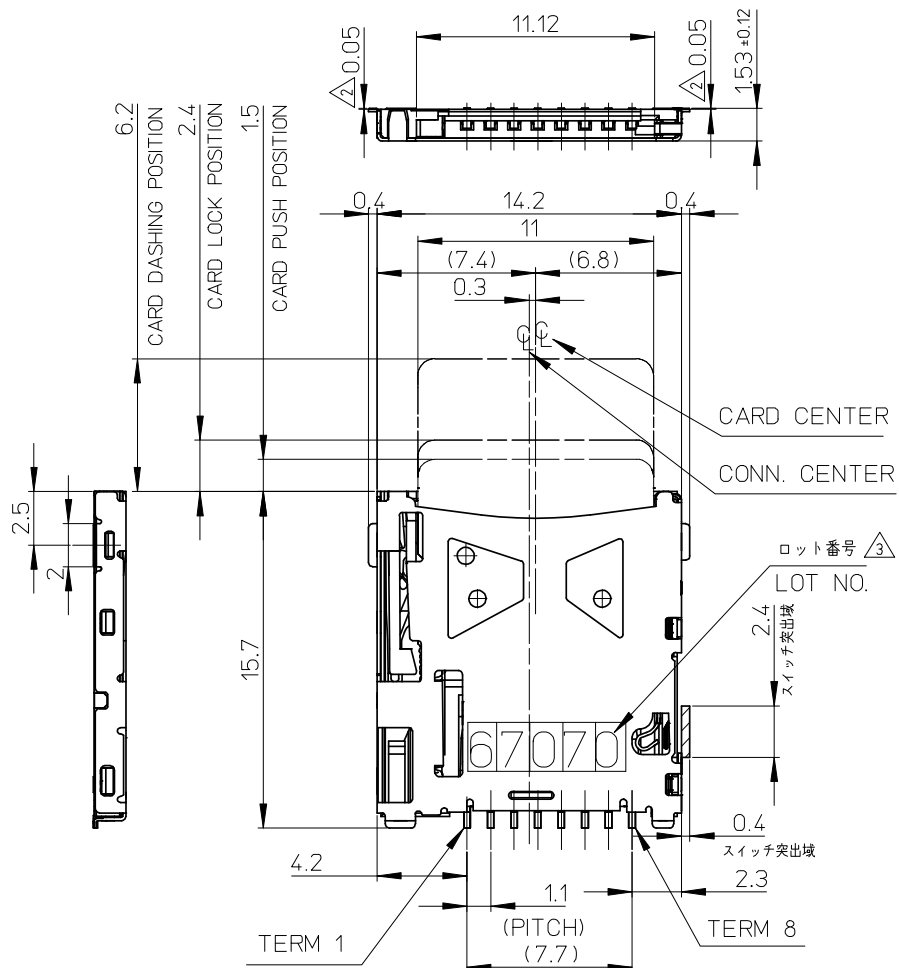
NOTES

- ターミナル及びネイルの平坦度は0.1MAX.とする。
COPLANARITY OF TERMINAL AND NAIL IS TO BE 0.1MAX.
- スタンドオフ寸法
DIMENSIONS OF STAND OFF.
- ロット印字は任意とする
LOT NUMBERING IS TO BE OPTIONAL.
- 肉抜き位置は任意とする。
CAVITY IS TO BE OPTIONAL.
- カード検知スイッチ
DETECT SWITCH

ロットNo. : 6 7 0 7 0
 月 7 日
 西暦(1桁目) 6 : 2006年
 THE YEAR OF GRACE
 ラインNo. LINE No.
 A : 10月 DAY 07
 B : 11月 DAY 07
 C : 12月 DAY 07

カード挿入時 CARD INSERTING POSITION	クローズ CLOSE
カード未挿入時 NO CARD	オープン OPEN

6. ELV及びRoHS適合品
ELV AND RoHS COMPLIANT



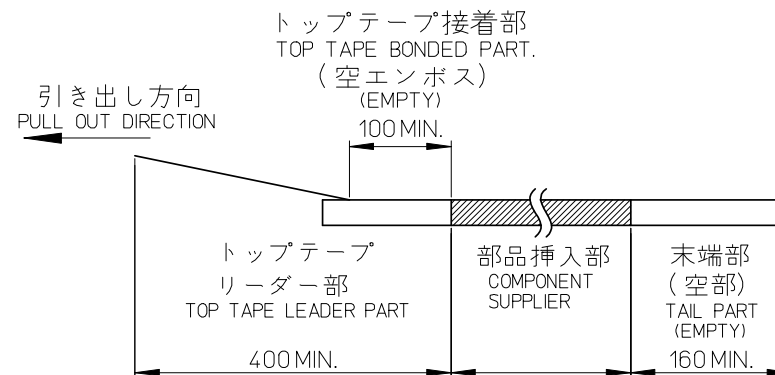
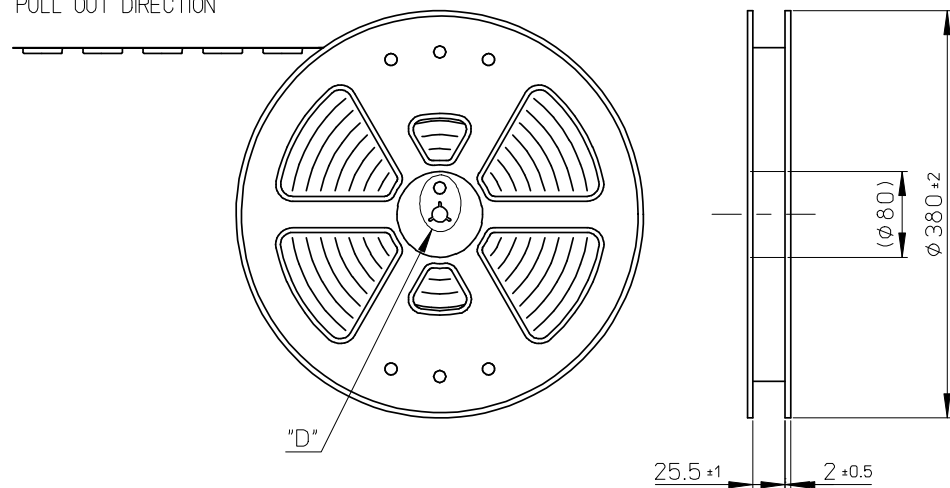
TERM 1	DAT2
TERM 2	CD/DAT3
TERM 3	CMD
TERM 4	Vdd
TERM 5	CLK
TERM 6	VSS
TERM 7	DAT0
TERM 8	DAT1

RELEASED EC NO: J2008-3093 DRWN: NABEI CHKD: THARUYAMA APPR: NUKITA	GENERAL TOLERANCES (UNLESS SPECIFIED)	DIMENSION STYLE MM ONLY	SCALE ---	DESIGN UNITS METRIC	THIRD ANGLE PROJECTION
	10 UNDER ±0.2	DRAWN BY M. NABEI	DATE '08/02/22	TITLE MICRO SD CARD CONN. NORMAL LOW-PROFILE ASS'Y	
	10 OVER 30 UNDER ±0.25	CHECKED BY T. HARUYAMA	DATE '08/02/22	MOLEX INCORPORATED	
	30 OVER ±0.3	APPROVED BY N. UKITA	DATE '08/02/22	DOCUMENT NO. SD-502702-003	
ANGULAR ±1 °	DRAFT WHERE APPLICABLE MUST REMAIN WITHIN DIMENSIONS	MATERIAL NO. SEE TABLE	SHEET NO. 1 OF 1		
THIS DRAWING CONTAINS INFORMATION THAT IS PROPRIETARY TO MOLEX INCORPORATED AND SHOULD NOT BE USED WITHOUT WRITTEN PERMISSION					

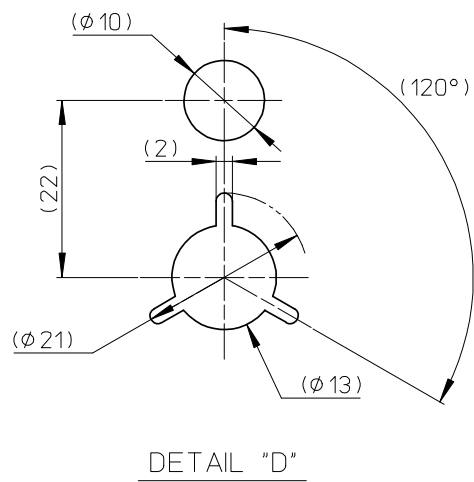
NOTES

- 製品詳細寸法は製品単体図面を参照して下さい。
FOR DETAIL OF CONNECTOR DIMENSIONS, PLEASE SEE THE DRAWING OF CONNECTOR ITSELF (NOT PACKAGED).
- 梱包数量：1000 個／リール
NUMBER OF CONNECTORS . 1000 PCS/REEL.
- リードテープ長さ LEAD TAPE LENGTH.

引き出し方向
PULL OUT DIRECTION

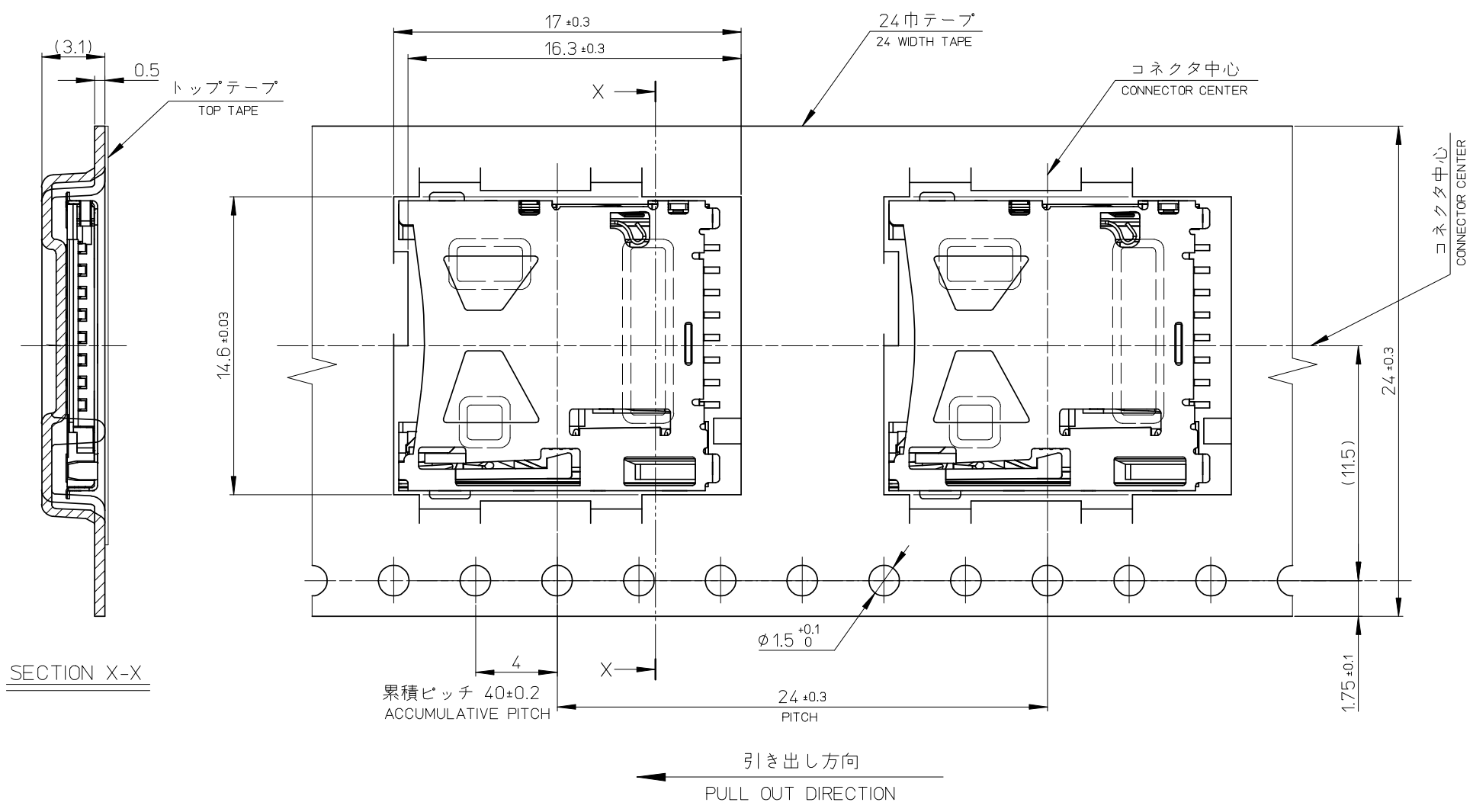


- 材料 MATERIAL
キャリアテープ (CARRIER TAPE) : ポリスチレン (POLYSTYRENE)
トップテープ (TOP TAPE) : PET, PE, PEF
リール (REEL) : ポリスチレン (PS) <リサイクル材含む>
POLYSTYRENE (PS) <RECYCLE MATERIAL CONTAINED>
- ELV 及び RoHS 適合品
ELV AND RoHS COMPLIANT



502702-0811	502702-0891	502702-08**
CONNECTOR	MATERIAL NO.	MODEL NO.

RELEASED EC NO: J2008-3093 DRWN: NABEI 2008/02/29 CHKD: HARUYAMA 2008/02/29 APPR: NUKITA 2008/03/03	GENERAL TOLERANCES (UNLESS SPECIFIED)		DIMENSION STYLE MM ONLY		SCALE ---	DESIGN UNITS METRIC	THIRD ANGLE PROJECTION	
	10 UNDER	±0.2	DRAWN BY M. NABEI	DATE '08/02/22	TITLE MICRO SD CONN. LOW-PRO EMBOSSSED TAPE PACKAGE			
	10 OVER 30 UNDER	±0.25	CHECKED BY T. HARUYAMA	DATE '08/02/22				
	30 OVER	±0.3	APPROVED BY N. UKITA	DATE '08/02/22	MOLEX INCORPORATED DOCUMENT NO. SD-502702-004 SHEET NO. 1 OF 2			
	ANGULAR	±1 °	MATERIAL NO. SEE TABLE					
DRAFT WHERE APPLICABLE MUST REMAIN WITHIN DIMENSIONS		SIZE A3	THIS DRAWING CONTAINS INFORMATION THAT IS PROPRIETARY TO MOLEX INCORPORATED AND SHOULD NOT BE USED WITHOUT WRITTEN PERMISSION					



RELEASED EC NO: J2008-3093 DRWN: NABEI 2008/02/29 CHKD: HARUYAMA 2008/02/29 APPR: NUKITA 2008/03/03	GENERAL TOLERANCES (UNLESS SPECIFIED)		DIMENSION STYLE MM ONLY		SCALE ---	DESIGN UNITS METRIC	THIRD ANGLE PROJECTION	
	10 UNDER	±0.2	DRAWN BY M. NABEI	DATE '08/02/22	TITLE MICRO SD CONN. LOW-PRO EMBOSSSED TAPE PACKAGE			
	10 OVER 30 UNDER	±0.25	CHECKED BY T. HARUYAMA	DATE '08/02/22				
	30 OVER	±0.3	APPROVED BY N. UKITA	DATE '08/02/22	MOLEX INCORPORATED			
	ANGULAR ±1 °		MATERIAL NO. SEE SHEET 1		DOCUMENT NO. SD-502702-004		SHEET NO. 2 OF 2	
DRAFT WHERE APPLICABLE MUST REMAIN WITHIN DIMENSIONS		THIS DRAWING CONTAINS INFORMATION THAT IS PROPRIETARY TO MOLEX INCORPORATED AND SHOULD NOT BE USED WITHOUT WRITTEN PERMISSION						