



Chipsmall Limited consists of a professional team with an average of over 10 year of expertise in the distribution of electronic components. Based in Hongkong, we have already established firm and mutual-benefit business relationships with customers from,Europe,America and south Asia,supplying obsolete and hard-to-find components to meet their specific needs.

With the principle of "Quality Parts,Customers Priority,Honest Operation,and Considerate Service",our business mainly focus on the distribution of electronic components. Line cards we deal with include Microchip,ALPS,ROHM,Xilinx,Pulse,ON,Everlight and Freescale. Main products comprise IC,Modules,Potentiometer,IC Socket,Relay,Connector.Our parts cover such applications as commercial,industrial, and automotives areas.

We are looking forward to setting up business relationship with you and hope to provide you with the best service and solution. Let us make a better world for our industry!



Contact us

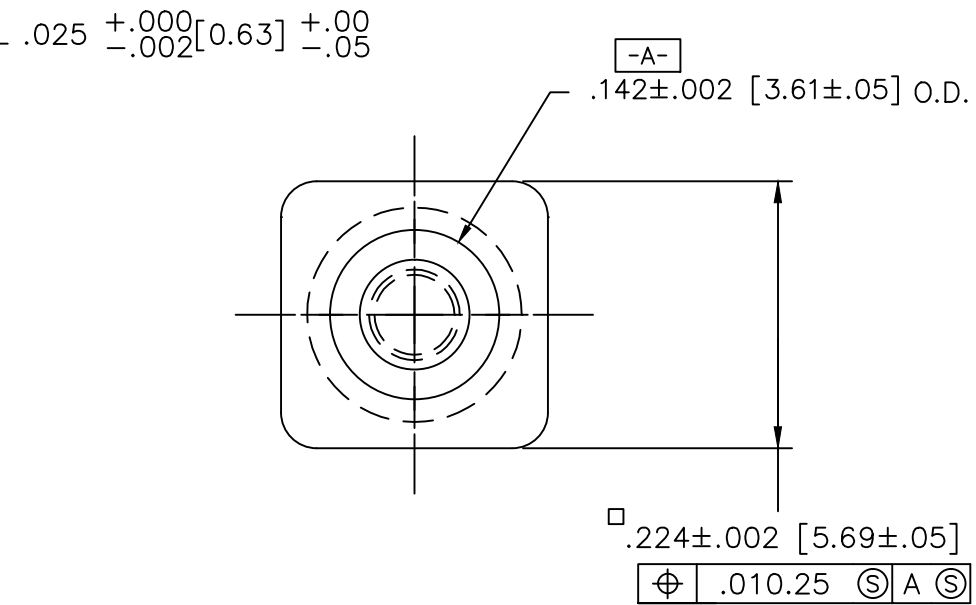
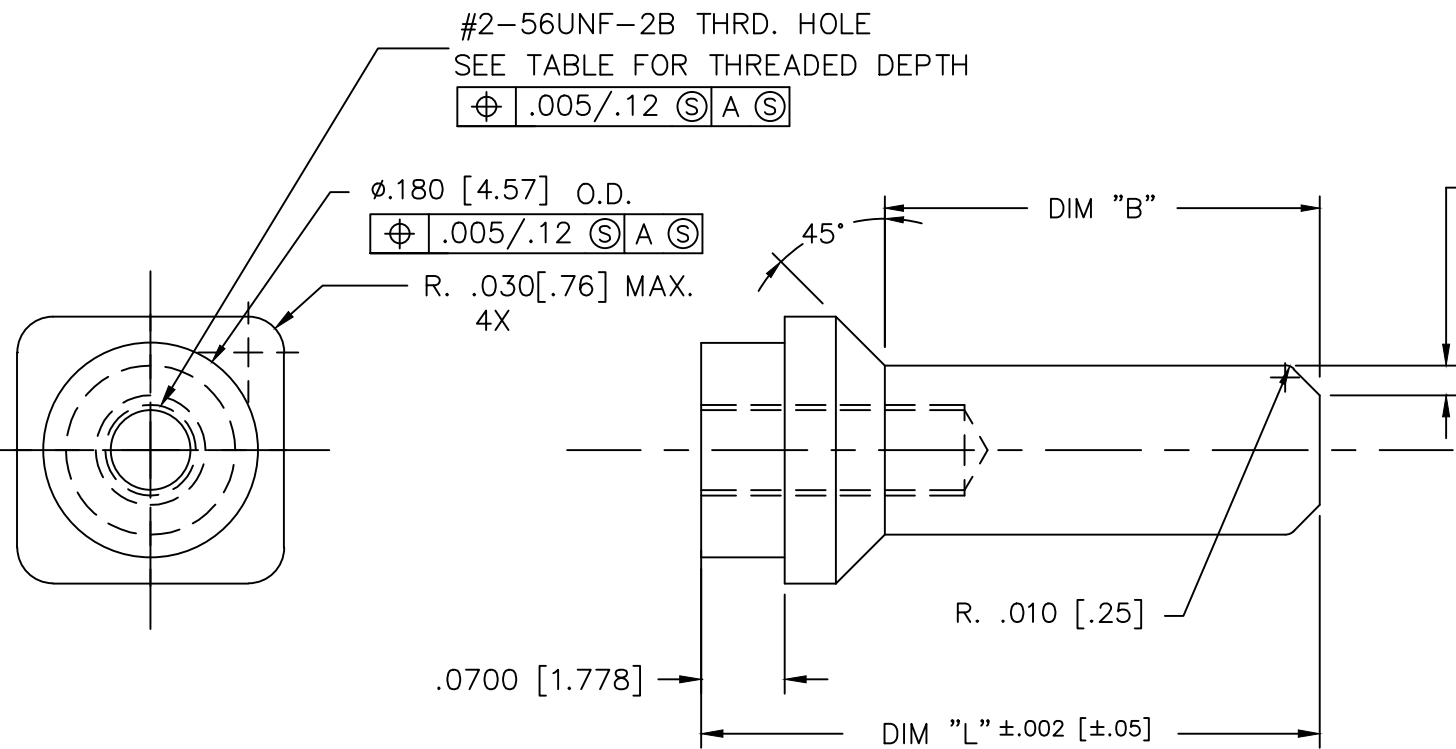
Tel: +86-755-8981 8866 Fax: +86-755-8427 6832

Email & Skype: info@chipsmall.com Web: www.chipsmall.com

Address: A1208, Overseas Decoration Building, #122 Zhenhua RD., Futian, Shenzhen, China



PRODUCT NUMBER(PLATED)	DIM B	DIM L	MATING SOCKET PART NUMBERS	THREADED DEPTH	PRODUCT NUMBER(UNPLATED)
50271-001	.227/5.77	.382/9.70	90306,91506	.165/4.19 MIN.	50271-001U
50271-001LF	.227/5.77	.382/9.70	90306,91506	.165/4.19 MIN.	
50271-002	.296/7.52	.451/11.45	90306,91506	.165/4.19 MIN.	50271-002U
50271-002LF	.296/7.52	.451/11.45	90306,91506	.165/4.19 MIN.	
50271-003	.365/9.27	.520/13.20	90306,91506	.165/4.19 MIN.	50271-003U
50271-003LF	.365/9.27	.520/13.20	90306,91506	.165/4.19 MIN.	
50271-004	.296/7.52	.451/11.45	90306,91506	.250/6.35 MIN.	50271-004U
50271-004LF	.296/7.52	.451/11.45	90306,91506	.250/6.35 MIN.	



NOTES:

- MATERIAL: PHOS BRONZE
- PLATING: 30u"/.76u MIN Au OVER
50u"/1.27u MIN Ni
- UNSPECIFIED ANGLES - 45°.
- VARIATIONS SHOWN ON THIS PRINT ARE "STANDARD" PIN LENGTHS. SEE P/N 91409 FOR "SPECIAL" PIN LENGTHS.
- SURFACE FINISH IN CONTACT AREA NOT TO EXCEED 25 RMS.
- PRODUCT NUMBERS WITH AN LF SUFFIX MEET EUROPEAN UNION DIRECTIVES AND OTHER COUNTRY REGULATIONS AS DESCRIBED IN GS-22-008.
- THIS PRODUCT IS NOT INTENDED TO BE EXPOSED TO MANUFACTURING SOLDER PROCESSES.

mat'l. code				surface ISO 1302 ✓		tolerance ISO 406 ISO 1101		projection INCH/MM		product family HPC			
ltr				ecn no		dr		date		tolerances unless otherwise specified		title	
L				110-0118		SAL		20/05/10		.XX±.01/.3		POWER PIN SCREW MOUNT	
M				ELX-I-010828		MJA		19/03/12		angles linear .XXX±.005/.13		scale 1:1	
N				ELX-I-010932		MJA		22/03/12		0°±2'		.xxx±.0020/.051	
-				-		-		-		dr		D. SHEAFFER 3/27/92	
H				V05-0681		DAI		7/20/05		enr		S. CLARK 4/28/92	
J				V05-1072		HTB		11/23/05		chr		S. CLARK 4/28/92	
K				M06-0265		AGS		7/10/06		appd		S. CLARK 4/28/92	
sheet index		revision sheet		N 1								FCI	
												dwg no 50271 sheet 1 of 1 size A3	
												type Product Customer Drawing	