



Chipsmall Limited consists of a professional team with an average of over 10 year of expertise in the distribution of electronic components. Based in Hongkong, we have already established firm and mutual-benefit business relationships with customers from,Europe,America and south Asia,supplying obsolete and hard-to-find components to meet their specific needs.

With the principle of “Quality Parts,Customers Priority,Honest Operation,and Considerate Service”,our business mainly focus on the distribution of electronic components. Line cards we deal with include Microchip,ALPS,ROHM,Xilinx,Pulse,ON,Everlight and Freescale. Main products comprise IC,Modules,Potentiometer,IC Socket,Relay,Connector.Our parts cover such applications as commercial,industrial, and automotives areas.

We are looking forward to setting up business relationship with you and hope to provide you with the best service and solution. Let us make a better world for our industry!



Contact us

Tel: +86-755-8981 8866 Fax: +86-755-8427 6832

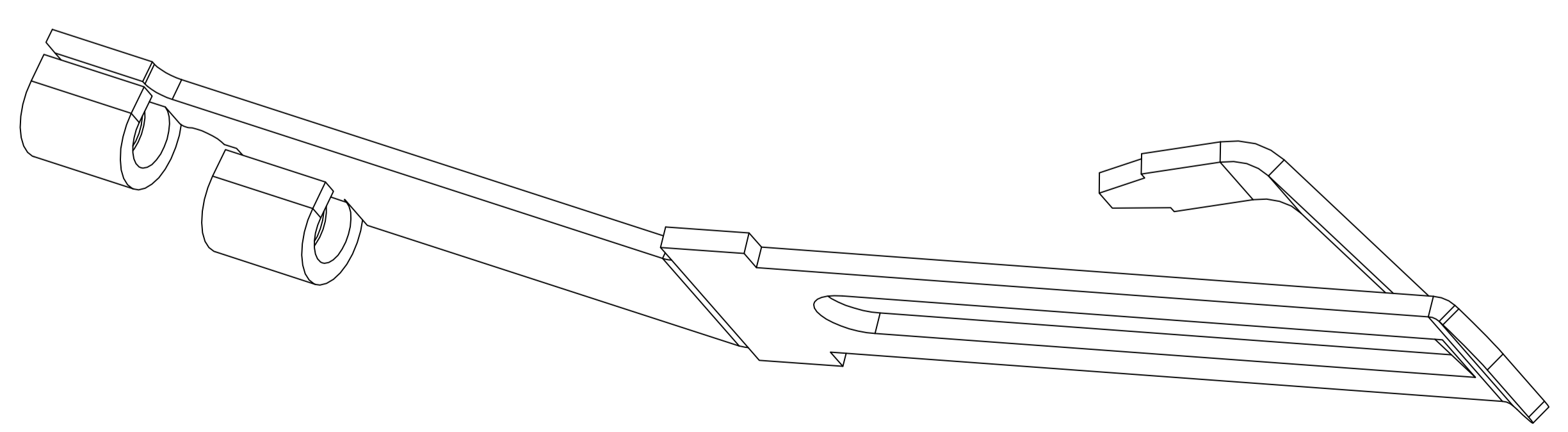
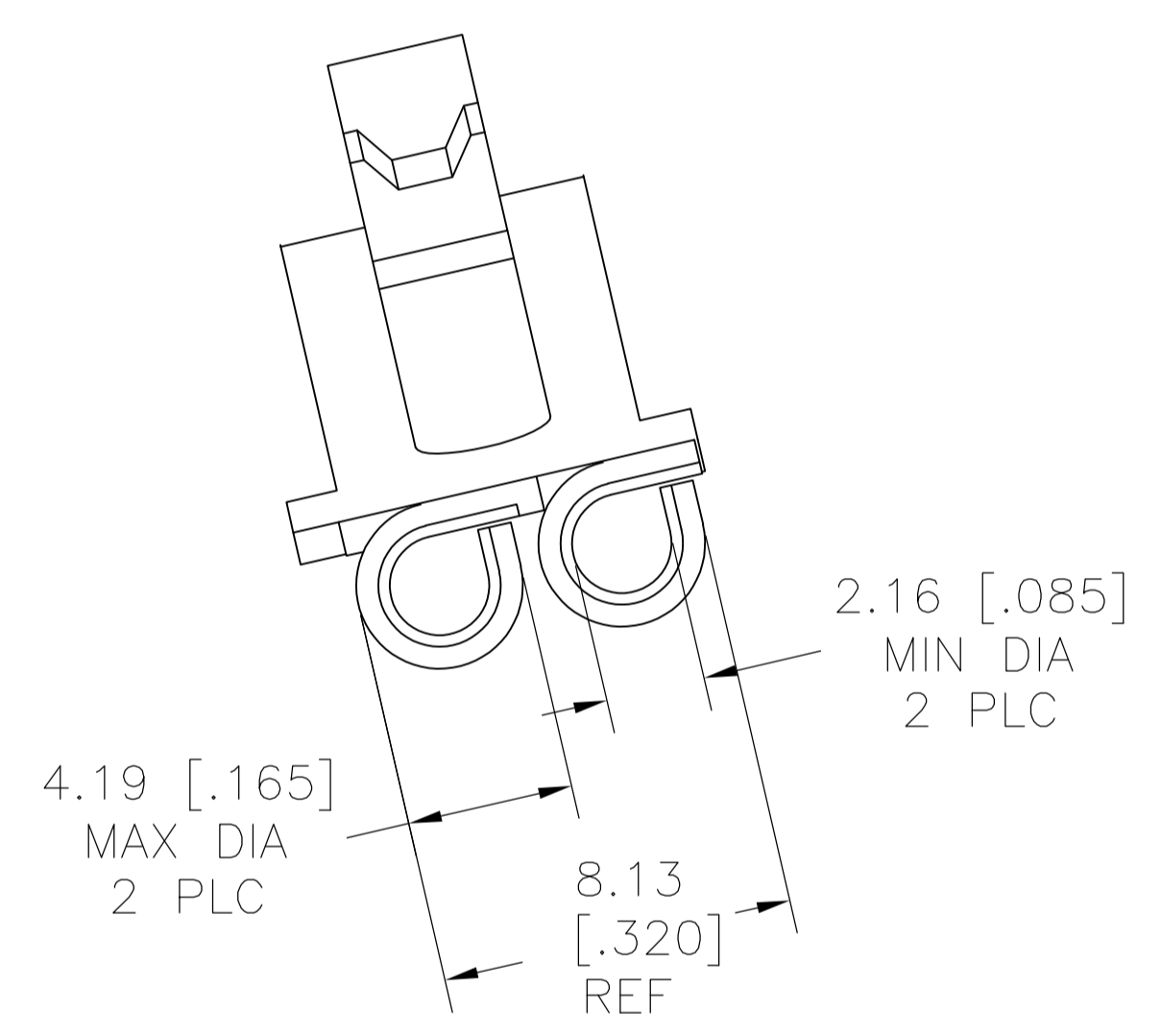
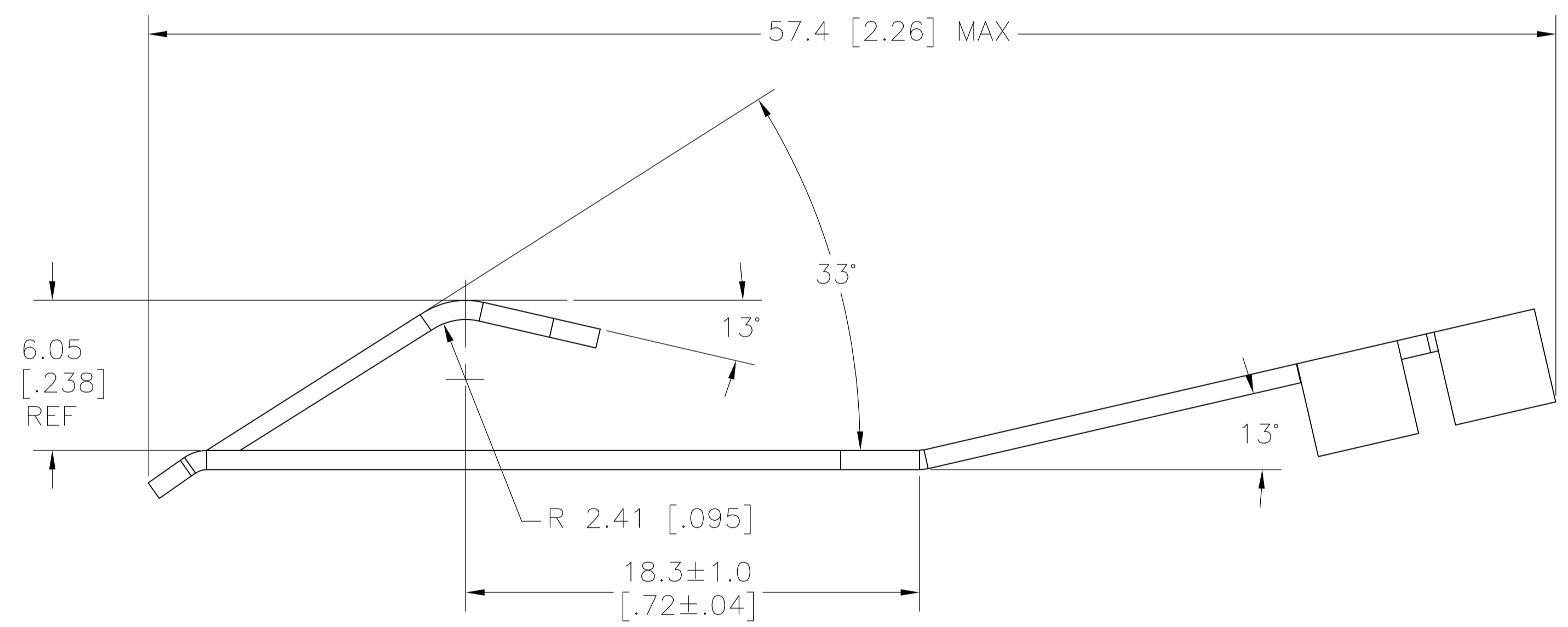
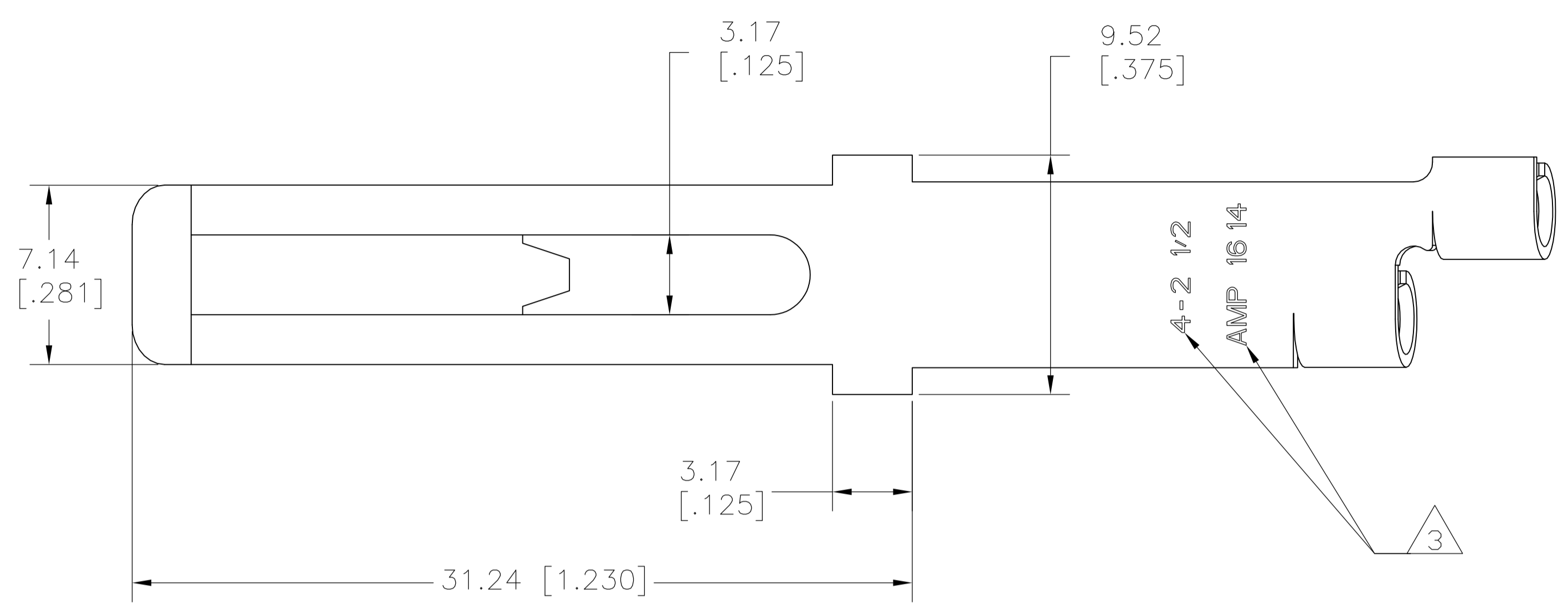
Email & Skype: info@chipsmall.com Web: www.chipsmall.com

Address: A1208, Overseas Decoration Building, #122 Zhenhua RD., Futian, Shenzhen, China



LOC		DIST		REVISIONS			
P	LTR	DESCRIPTION	DATE	DMN	APVD		
G	02	K	REV & REDAWN PER ECR 09-011654	28MAY09	JR	TM	

- ① MATERIAL: PHOS BRONZE 0.79 [.031] THICK
- ② SILVER PLATE
- ③ TEXT IS ON SIDE OF PART SHOWN.



50271
PART NO.

THIS DRAWING IS A CONTROLLED DOCUMENT.		DMN jr_ruth 28MAY09	Tyco Electronics Corporation Harrisburg, PA 17105-3608	
DIMENSIONS: MM [INCHES]		CHK TOM MICHELUTTI 28MAY09	NAME TOM MICHELUTTI	
TOLERANCES UNLESS OTHERWISE SPECIFIED:		PRODUCT SPEC		
0 PLC ± -		APPLICATION SPEC		
1 PLC ± 0.3 [.012]		SIZE A1		
2 PLC ± 0.20 [.008]		CAGE CODE 000779		
3 PLC ± -		DRAWING NO 50271		
4 PLC ± -		RESTRICTED TO		
ANGLES ± -		CUSTOMER DRAWING		
FINISH		SCALE 5:1		
①		SHEET 1 OF 1		
②		REV K		