



Chipsmall Limited consists of a professional team with an average of over 10 year of expertise in the distribution of electronic components. Based in Hongkong, we have already established firm and mutual-benefit business relationships with customers from,Europe,America and south Asia,supplying obsolete and hard-to-find components to meet their specific needs.

With the principle of "Quality Parts,Customers Priority,Honest Operation,and Considerate Service",our business mainly focus on the distribution of electronic components. Line cards we deal with include Microchip,ALPS,ROHM,Xilinx,Pulse,ON,Everlight and Freescale. Main products comprise IC,Modules,Potentiometer,IC Socket,Relay,Connector.Our parts cover such applications as commercial,industrial, and automotives areas.

We are looking forward to setting up business relationship with you and hope to provide you with the best service and solution. Let us make a better world for our industry!



Contact us

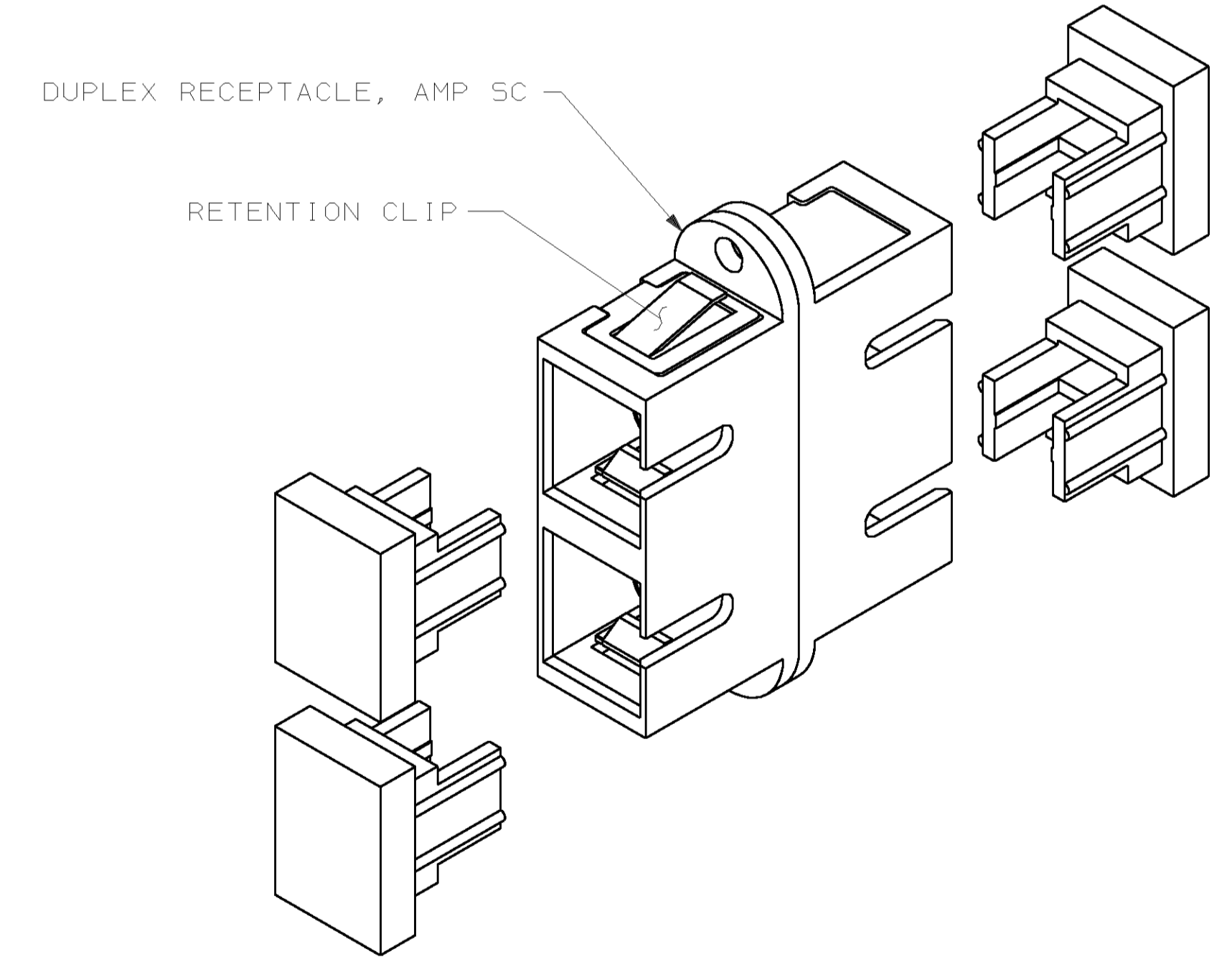
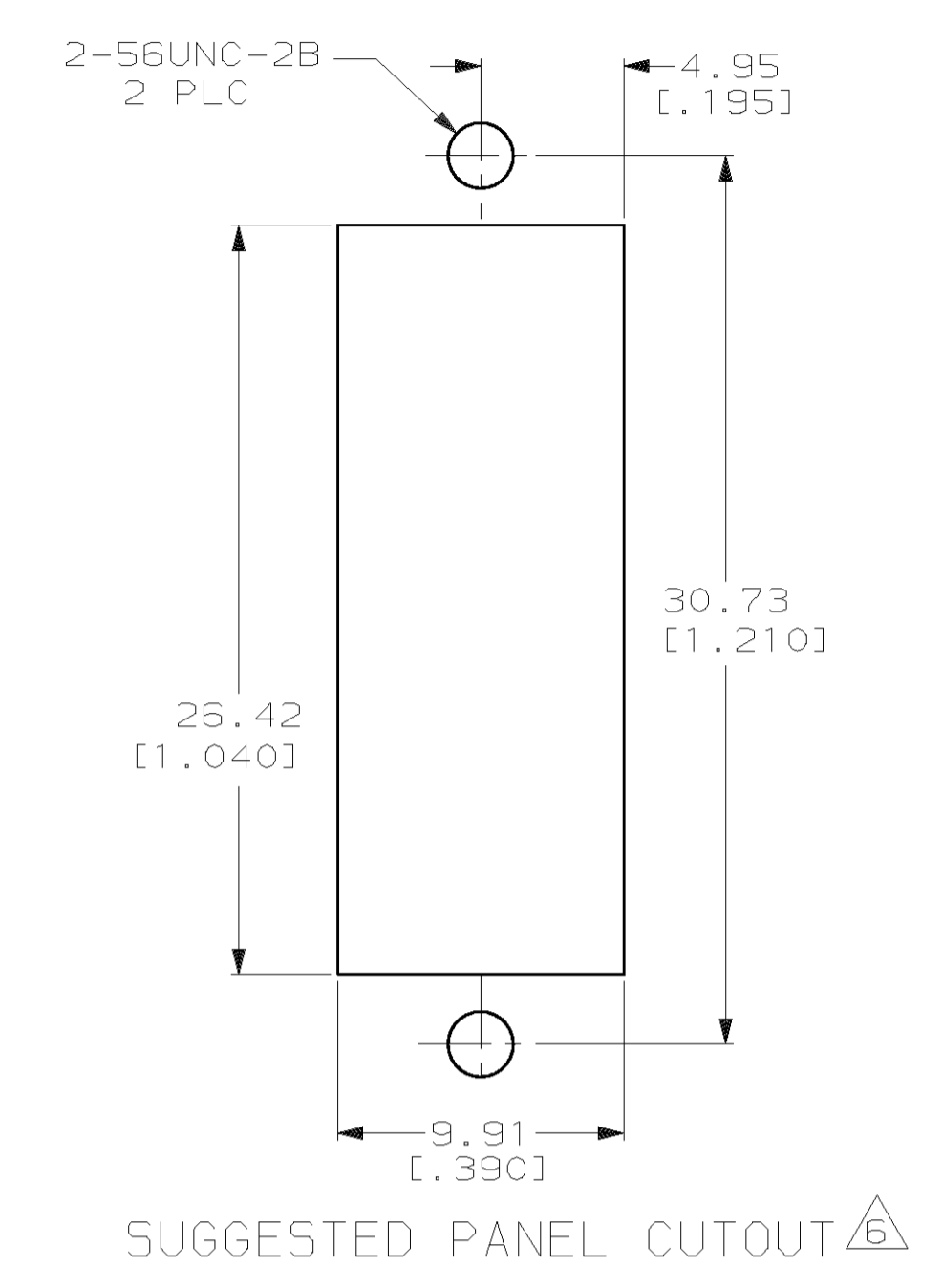
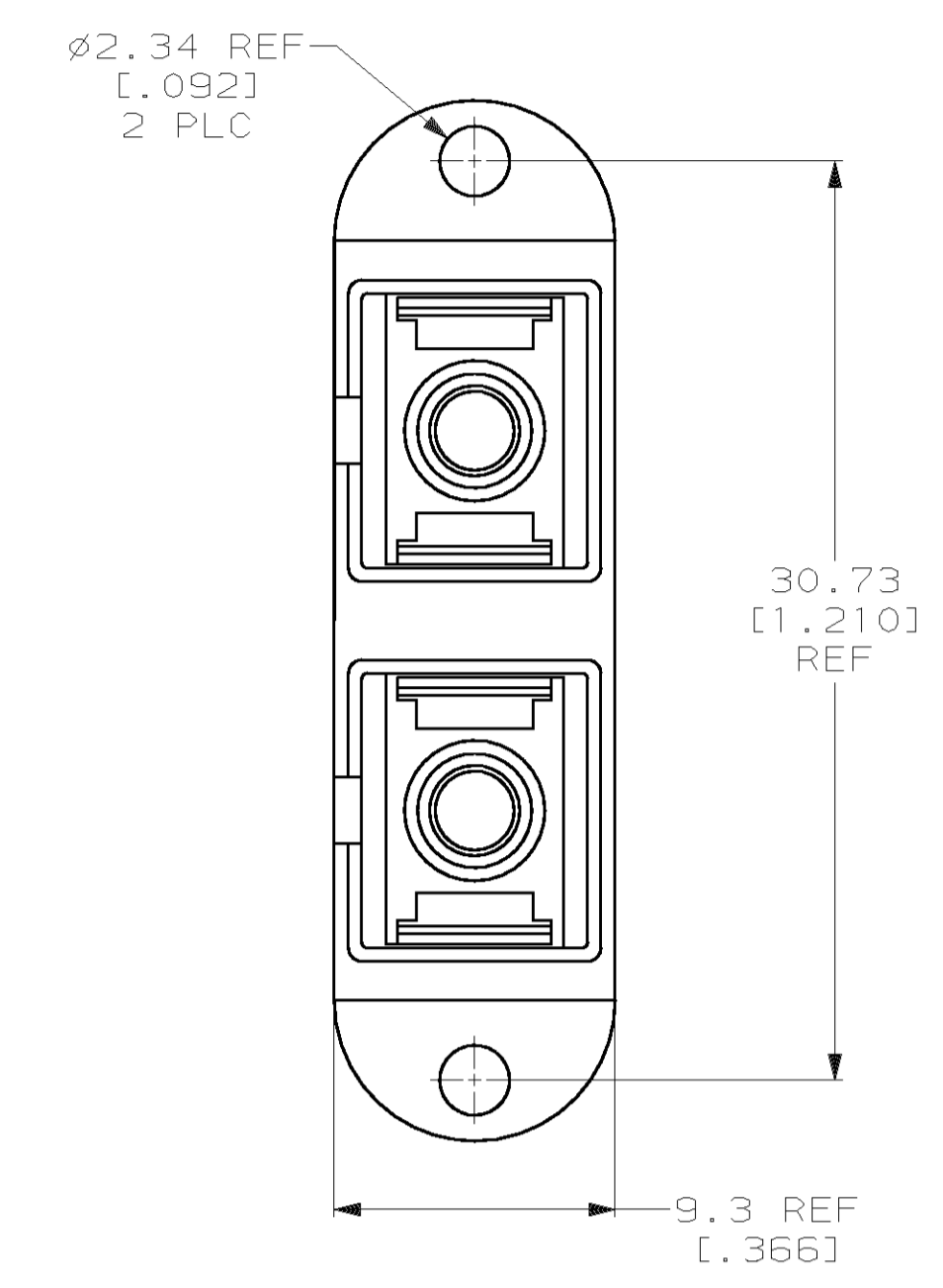
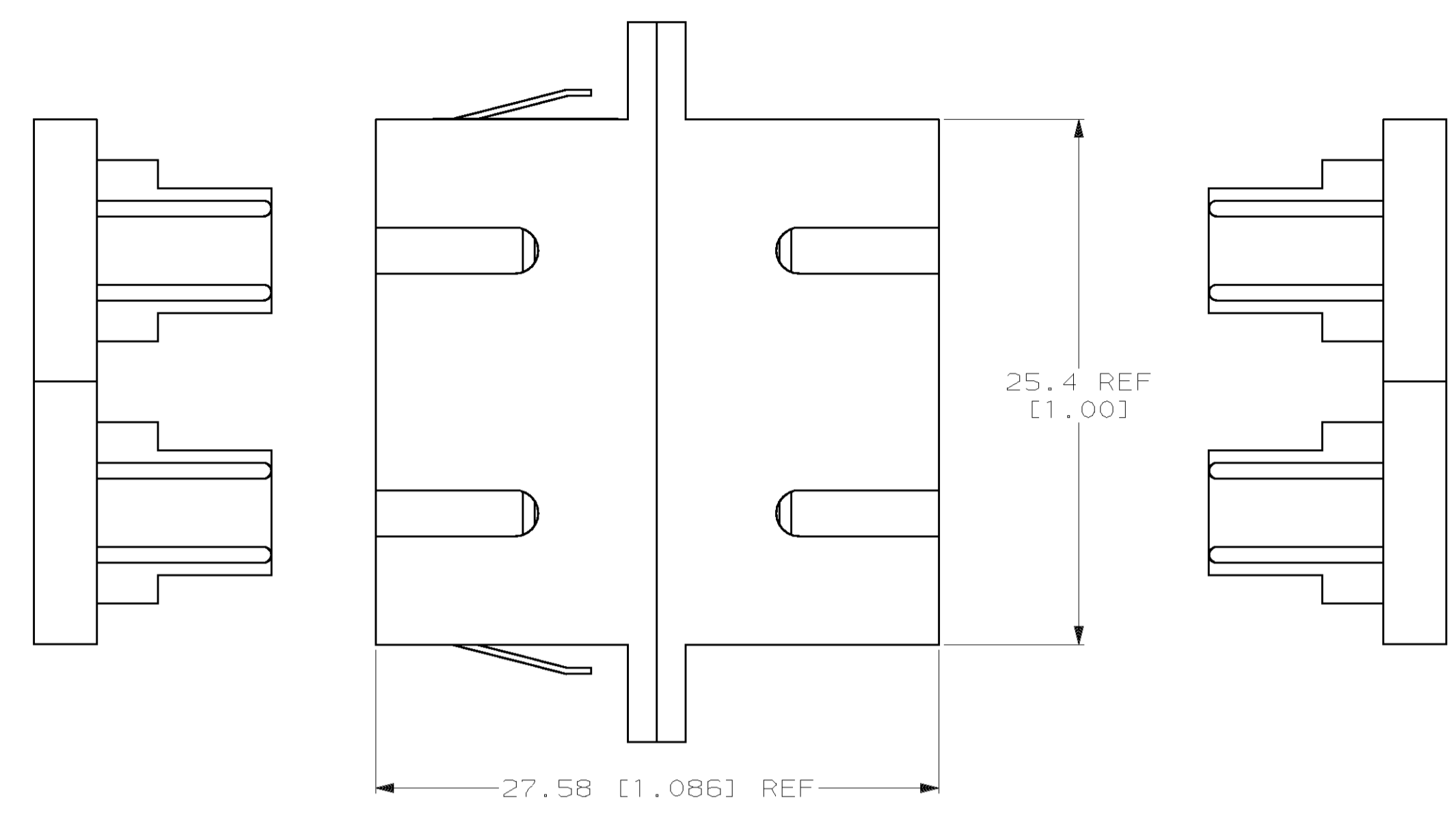
Tel: +86-755-8981 8866 Fax: +86-755-8427 6832

Email & Skype: info@chipsmall.com Web: www.chipsmall.com

Address: A1208, Overseas Decoration Building, #122 Zhenhua RD., Futian, Shenzhen, China



LOC	DIST	REV	DATE	BY	APPV
CE	16	N	22JUN2001	TA	SB



- ⚠ MATERIAL:
 BODY: THERMOPLASTIC
 RETENTION CLIP: STAINLESS STEEL
 SLEEVE: PHOSPHOR BRONZE
 SLEEVE: ZIRCONIA
 DUST COVER: THERMOPLASTIC ELASTOMER
- 2. DIMENSIONS IN [] ARE IN INCHES.
- ⚠ BULK PACKAGE, 50 PIECES.
- ⚠ BULK PACKAGE, 250 PIECES.
- ⚠ NO LOGO.
- ⚠ RECOMMENDED PANEL THICKNESS 1.60±.10 [.063±.004].

⚠	RETENTION CLIP	BLACK	CERAMIC	2-502776-5
⚠	RETENTION CLIP	GREEN	CERAMIC	2-502776-3
	NONE	GREEN	CERAMIC	2-502776-2
	NONE	LT ALMOND	CERAMIC	2-502776-1
	NONE	LT ALMOND	METAL	2-502776-0
⚠	RETENTION CLIP	BEIGE	METAL	1-502776-9
⚠	RETENTION CLIP	BEIGE	CERAMIC	1-502776-8
⚠	RETENTION CLIP	BLUE	CERAMIC	1-502776-7
⚠	RETENTION CLIP	BLACK	CERAMIC	1-502776-6
⚠	RETENTION CLIP	BEIGE	METAL	1-502776-5
⚠	RETENTION CLIP	BLUE	METAL	1-502776-4
⚠	RETENTION CLIP	BLACK	METAL	1-502776-3
	RETENTION CLIP	BEIGE	CERAMIC	1-502776-2
	RETENTION CLIP	BLUE	CERAMIC	1-502776-1
	RETENTION CLIP	BLACK	CERAMIC	1-502776-0
	RETENTION CLIP	BEIGE	METAL	502776-9
	RETENTION CLIP	BLUE	METAL	502776-8
	RETENTION CLIP	BLACK	METAL	502776-7
	RETENTION CLIP	BEIGE	CERAMIC	502776-6
	RETENTION CLIP	BLUE	CERAMIC	502776-5
	RETENTION CLIP	BLACK	CERAMIC	502776-4
	RETENTION CLIP	BEIGE	METAL	502776-3
	RETENTION CLIP	BLUE	METAL	502776-2
	RETENTION CLIP	BLACK	METAL	502776-1

SUPERSEDED BY 1-502776-2
 SUPERSEDED BY 1-502776-1
 SUPERSEDED BY 1-502776-0
 SUPERSEDED BY 502776-9
 SUPERSEDED BY 502776-8
 SUPERSEDED BY 502776-7

INCLUDED HARDWARE	COLOR	ALIGNMENT SLEEVE	PART NUMBER
THIS DRAWING IS A CONTROLLED DOCUMENT.			
DIMENSIONS: mm		TOLERANCES UNLESS OTHERWISE SPECIFIED:	
0 PLC ±.015		1 PLC ±.010	
1 PLC ±.010		2 PLC ±.008	
2 PLC ±.008		3 PLC ±.006	
3 PLC ±.006		4 PLC ±.005	
4 PLC ±.005		ANGLES ±.005	
MATERIAL		FINISH	
DWN: I. ALEXANDER 22MAY2001 CHK: - NAME: AMP Incorporated HARRISBURG, PA 17105-3608 PRODUCT SPEC: - APPLICATION SPEC: - SIZE: A1 CAGE CODE: 00779 DRAWING NO: 502776 WEIGHT: - CUSTOMER DRAWING SCALE: 4:1 SHEET: 1 OF 1 REV: N			