



Chipsmall Limited consists of a professional team with an average of over 10 year of expertise in the distribution of electronic components. Based in Hongkong, we have already established firm and mutual-benefit business relationships with customers from,Europe,America and south Asia,supplying obsolete and hard-to-find components to meet their specific needs.

With the principle of “Quality Parts,Customers Priority,Honest Operation,and Considerate Service”,our business mainly focus on the distribution of electronic components. Line cards we deal with include Microchip,ALPS,ROHM,Xilinx,Pulse,ON,Everlight and Freescale. Main products comprise IC,Modules,Potentiometer,IC Socket,Relay,Connector.Our parts cover such applications as commercial,industrial, and automotives areas.

We are looking forward to setting up business relationship with you and hope to provide you with the best service and solution. Let us make a better world for our industry!



Contact us

Tel: +86-755-8981 8866 Fax: +86-755-8427 6832

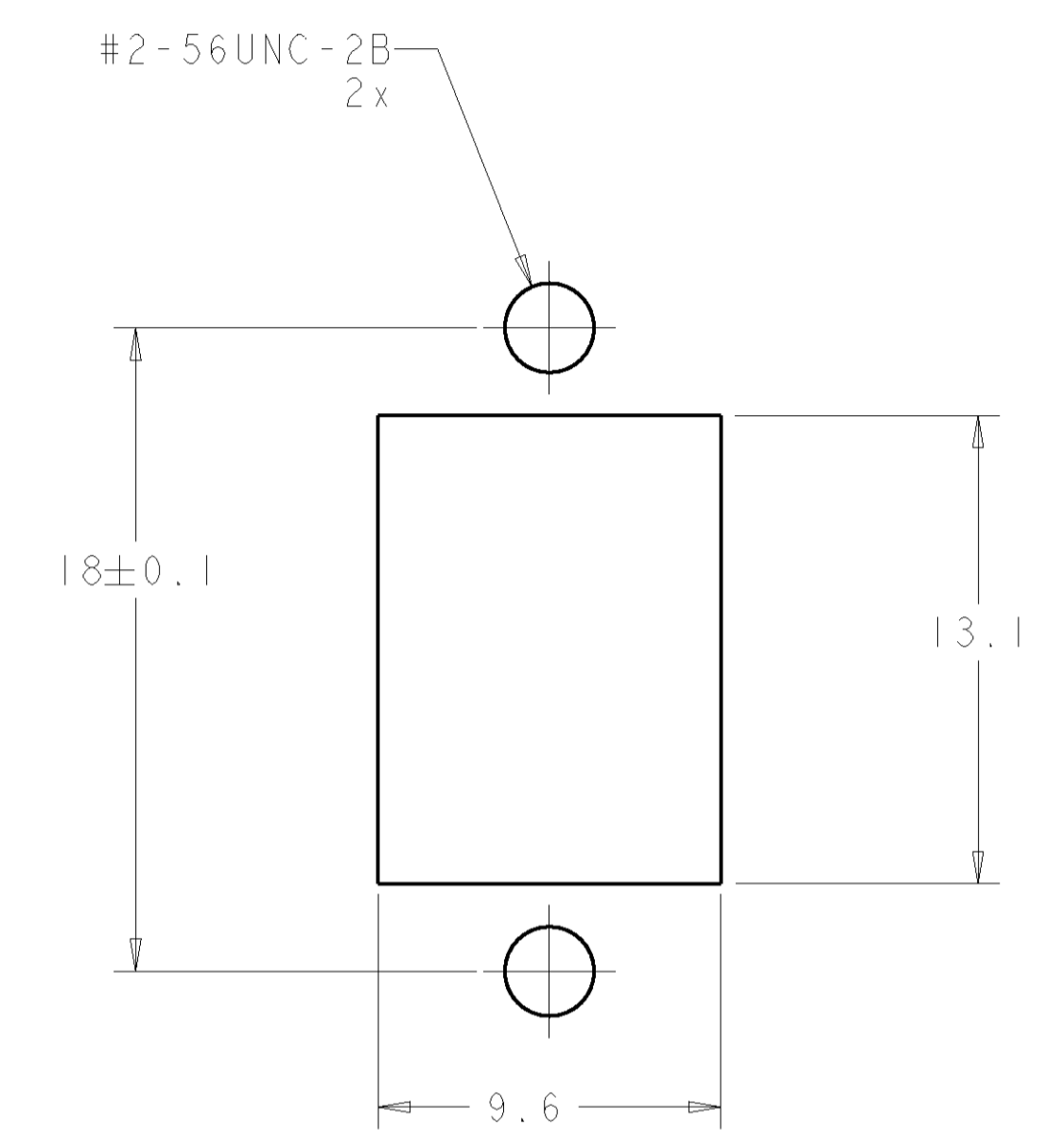
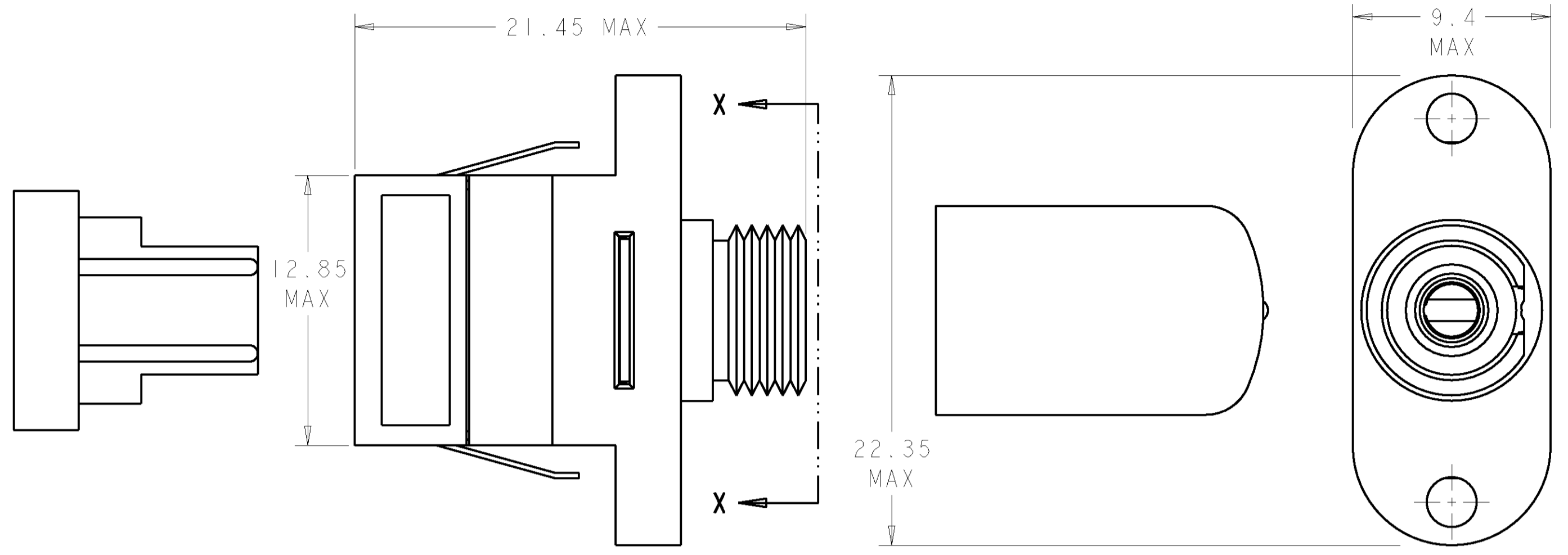
Email & Skype: info@chipsmall.com Web: www.chipsmall.com

Address: A1208, Overseas Decoration Building, #122 Zhenhua RD., Futian, Shenzhen, China



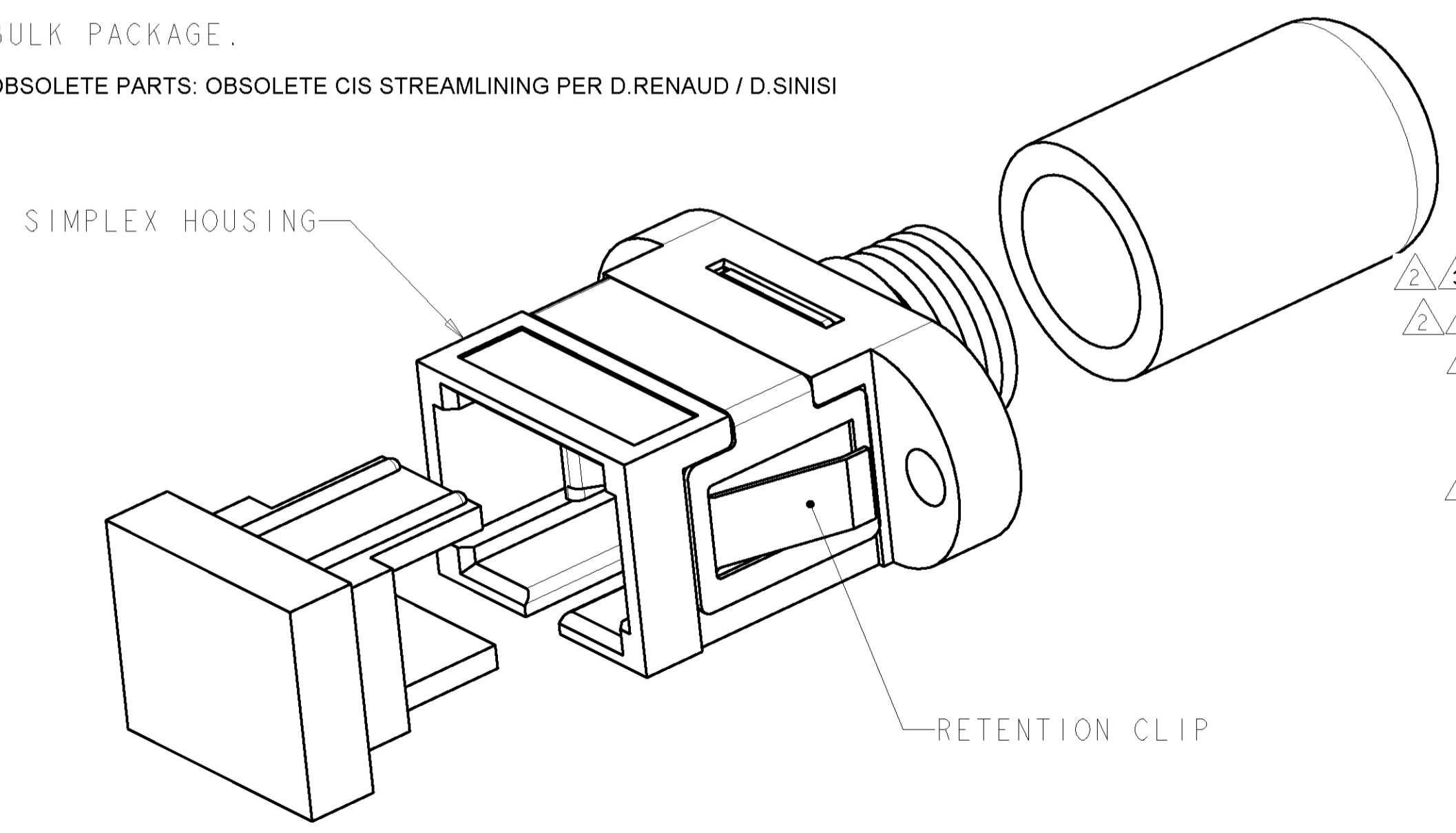
THIS DRAWING IS UNPUBLISHED. RELEASED FOR PUBLICATION 20
 © COPYRIGHT 20 BY TYCO ELECTRONICS CORPORATION. ALL RIGHTS RESERVED.

LOC	DIST	REVISIONS			
P	LTR	DESCRIPTION	DATE	DWN	APVD
		M	REVISE PER 0A00-0549-04	02NOV2004	BB SM
		N	REVISE PER ECR-08-000844	23JAN2008	BB SM
		N1	REVISED PER ECO-10-000445	04FEB10	KK HMR



1 MATERIAL:
 HOUSING: PBT-GF30, SEE DASH NUMBERS FOR COLOR.*
 RETAINER: PEI-GF30, COLOR: BLACK.*
 RETENTION CLIP: STAINLESS STEEL.
 ALIGNMENT SLEEVE: SEE DASH NUMBERS.
 PROTECTIVE CAP: VINYL.
 PROTECTIVE COVER: TPE, COLOR: BLACK.*
 *UL94 V-0 RATED AT QUALIFYING THICKNESS.

2 BULK PACKAGE.
 3 OBSOLETE PARTS: OBSOLETE CIS STREAMLINING PER D.RENAUD / D.SINISI



	NONE	CERAMIC	BLACK	1-502781-4	
	NONE	METAL	BLACK	1-502781-3	
2 3	SUPERSEDED BY 1-5502781-0	RETENTION CLIP	CERAMIC	BLACK	1-502781-0
2 3	SUPERSEDED BY 5502781-8	RETENTION CLIP	METAL	BLUE	502781-8
3	SUPERSEDED BY 5502781-6	RETENTION CLIP	CERAMIC	BEIGE	502781-6
		RETENTION CLIP	CERAMIC	BLUE	502781-5
		RETENTION CLIP	CERAMIC	BLACK	502781-4
3	SUPERSEDED BY 5502781-3	RETENTION CLIP	METAL	BEIGE	502781-3
		RETENTION CLIP	METAL	BLUE	502781-2
		RETENTION CLIP	METAL	BLACK	502781-1
	INCLUDED HARDWARE	ALIGNMENT SLEEVE	COLOR	PART NUMBER	

THIS DRAWING IS A CONTROLLED DOCUMENT FOR TYCO ELECTRONICS CORPORATION. IT IS SUBJECT TO CHANGE AND THE CONTROLLING ENGINEERING ORGANIZATION SHOULD BE CONTACTED FOR THE LATEST REVISION.

DIMENSIONS:	TOLERANCES UNLESS OTHERWISE SPECIFIED:	DWN	02NOV2004	Tyco Electronics Harrisburg, PA 17105-3608
mm	0 PLC ±	CHK	02NOV2004	
	1 PLC ±0.1	APVD	02NOV2004	
	2 PLC ±0.05	PRODUCT SPEC		
	3 PLC ±	APPLICATION SPEC		NAME
	4 PLC ±	WEIGHT		RECEPTACLE ASSEMBLY, AMP SC TO FC
MATERIAL	ANGLES ±	FINISH		SIZE
				CAGE CODE
				DRAWING NO
				RESTRICTED TO
				A200779C-502781
				SCALE
				5.1
				SHEET
				OF
				REV
				N1

CUSTOMER DRAWING