



Chipsmall Limited consists of a professional team with an average of over 10 year of expertise in the distribution of electronic components. Based in Hongkong, we have already established firm and mutual-benefit business relationships with customers from,Europe,America and south Asia,supplying obsolete and hard-to-find components to meet their specific needs.

With the principle of “Quality Parts,Customers Priority,Honest Operation,and Considerate Service”,our business mainly focus on the distribution of electronic components. Line cards we deal with include Microchip,ALPS,ROHM,Xilinx,Pulse,ON,Everlight and Freescale. Main products comprise IC,Modules,Potentiometer,IC Socket,Relay,Connector.Our parts cover such applications as commercial,industrial, and automotives areas.

We are looking forward to setting up business relationship with you and hope to provide you with the best service and solution. Let us make a better world for our industry!



## Contact us

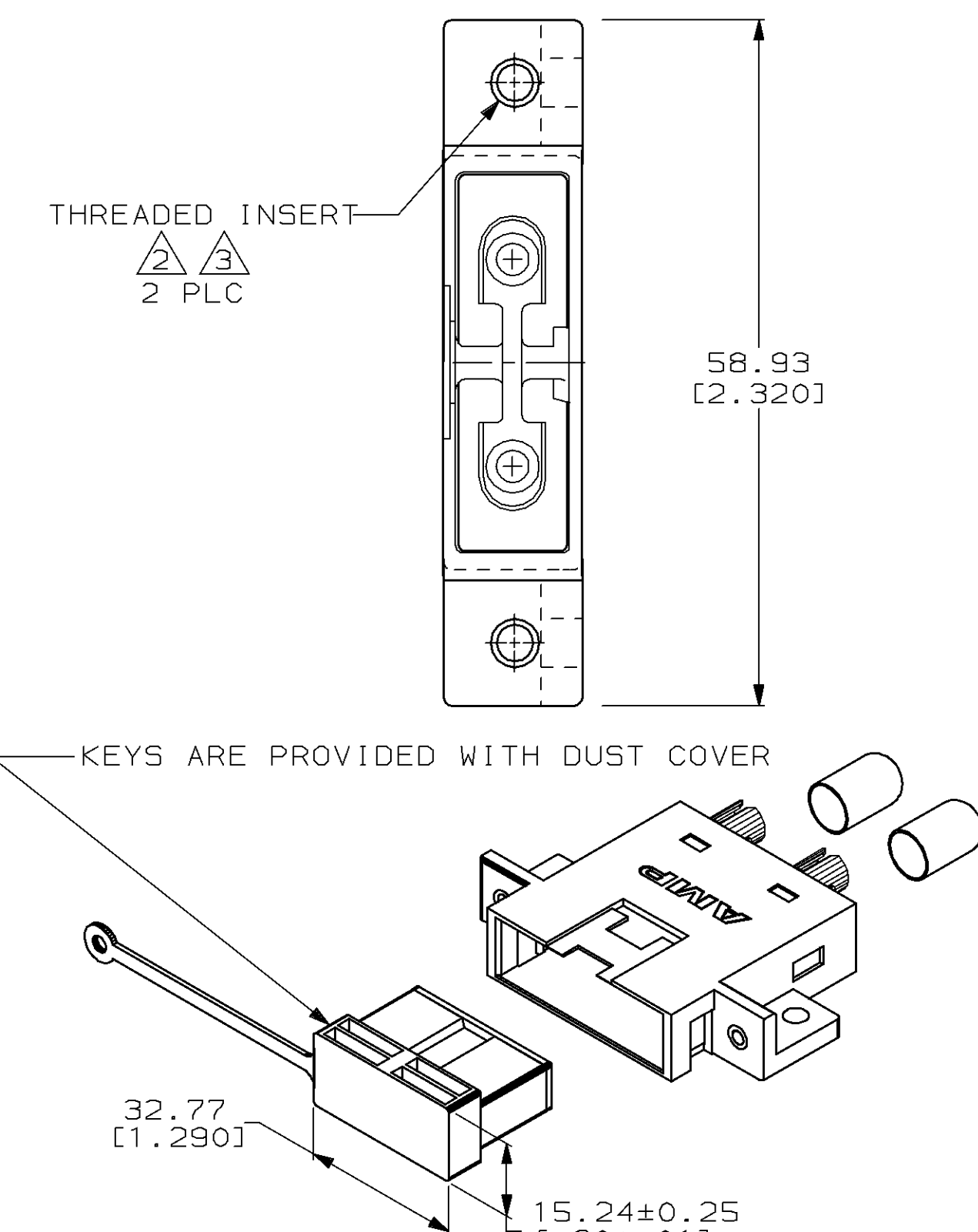
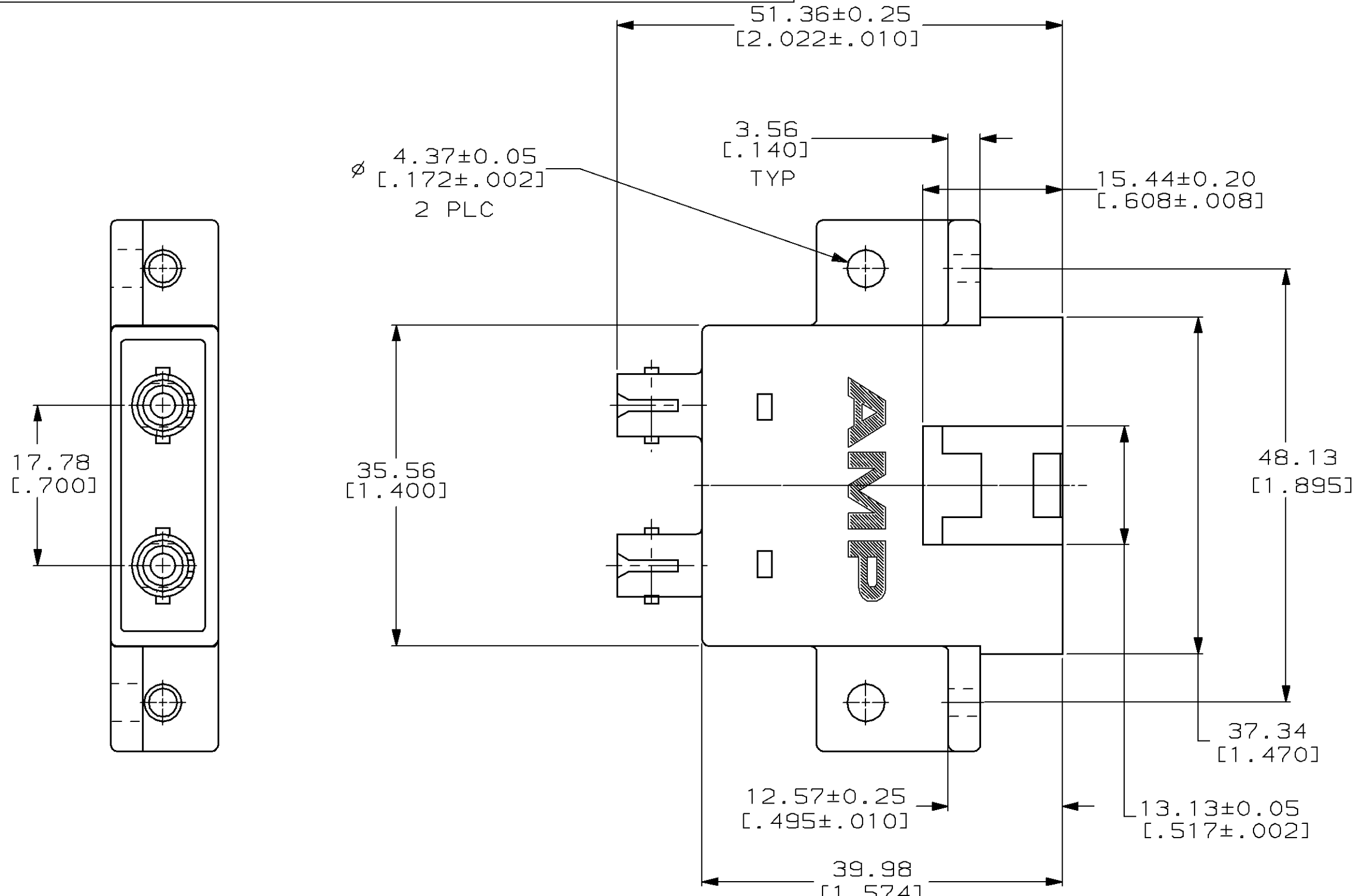
Tel: +86-755-8981 8866 Fax: +86-755-8427 6832

Email & Skype: info@chipsmall.com Web: www.chipsmall.com

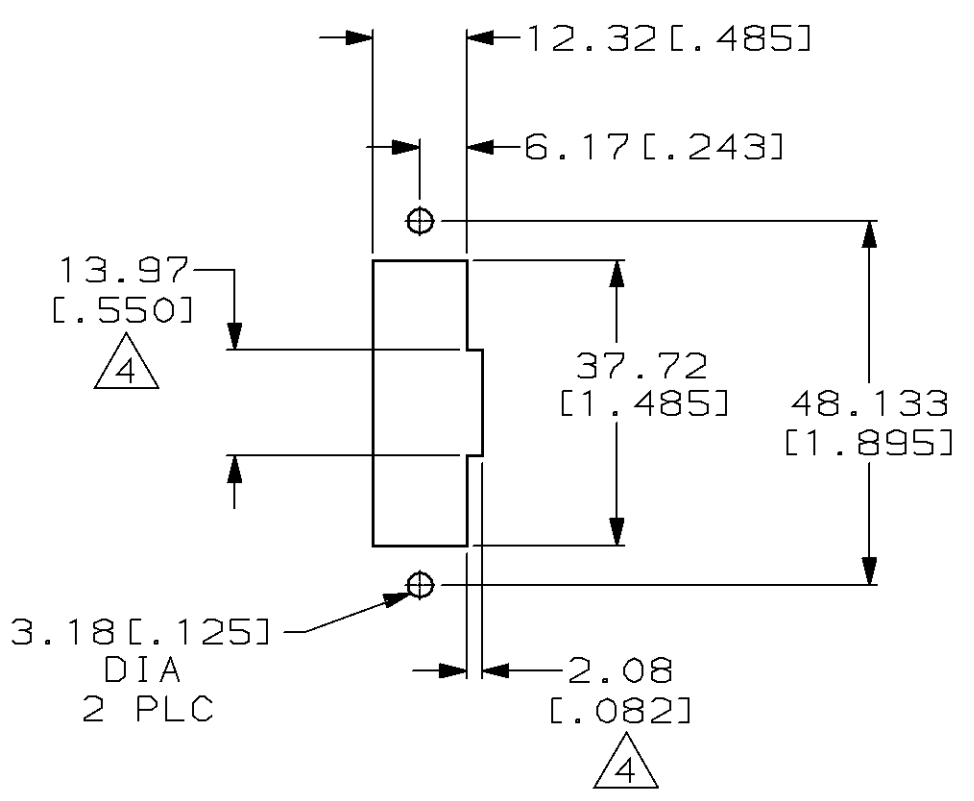
Address: A1208, Overseas Decoration Building, #122 Zhenhua RD., Futian, Shenzhen, China



LOC	DIST	P	F	ZONE	LTR	REVISIONS	DATE	APPD
CE	16				B	REV PER 0500-0087-94	11-22-94	RH/GL



- DIMENSIONS IN [ ] ARE IN INCHES.
- #4-40 THREADED INSERT.
- M3X0.5 THREADED INSERT.
- OPTIONAL CUTOUT FOR FIELD KEY INSERTION AND REMOVAL. KEY EXTRACTION TOOL PART NUMBER: 503679-1.



	COLOR	ALIGNMENT SLEEVE MATERIAL	PART NUMBER
3	BEIGE	CERAMIC	502808-6
3	BEIGE	METAL	502808-5
2	BEIGE	CERAMIC	502808-4
SUPERSEDED BY 502808-4			
2	BLACK	CERAMIC	502808-3
2	BEIGE	METAL	502808-2
SUPERSEDED BY 502808-2			
2	BLACK	METAL	502808-1

		PART NO	
DO NOT SCALE PRINT. UNLESS SPECIFIED DIMENSIONS IN mm TOLERANCES ON :	DR 10-9-92 R.HILEMAN	AMP INCORPORATED Harrisburg, Pa. 17105	
2 PLC DEC ± -	CHK 10-14-92 T.FAWCETT		
3 PLC DEC ± 0.13 [.005]	APPD 10-14-92 T.FAWCETT	NAME	
ANGLES ± -	APPD 10-14-92 D.FISHER	FSD TO 2.5mm BAYONET COUPLING ASSEMBLY, FIELD KEYABLE, AMP FSD, MULTIMODE	
MATERIAL THERMOPLASTIC	PRODUCT SPEC -	SIZE C	FSCM NO 00779
FINISH SEE TABLE	APPLICATION SPEC -	SCALE 2:1	DRAWING NO 502808
	WEIGHT -		SHEET 1 OF 1

METRIC