



Chipsmall Limited consists of a professional team with an average of over 10 year of expertise in the distribution of electronic components. Based in Hongkong, we have already established firm and mutual-benefit business relationships with customers from,Europe,America and south Asia,supplying obsolete and hard-to-find components to meet their specific needs.

With the principle of “Quality Parts,Customers Priority,Honest Operation,and Considerate Service”,our business mainly focus on the distribution of electronic components. Line cards we deal with include Microchip,ALPS,ROHM,Xilinx,Pulse,ON,Everlight and Freescale. Main products comprise IC,Modules,Potentiometer,IC Socket,Relay,Connector.Our parts cover such applications as commercial,industrial, and automotives areas.

We are looking forward to setting up business relationship with you and hope to provide you with the best service and solution. Let us make a better world for our industry!



Contact us

Tel: +86-755-8981 8866 Fax: +86-755-8427 6832

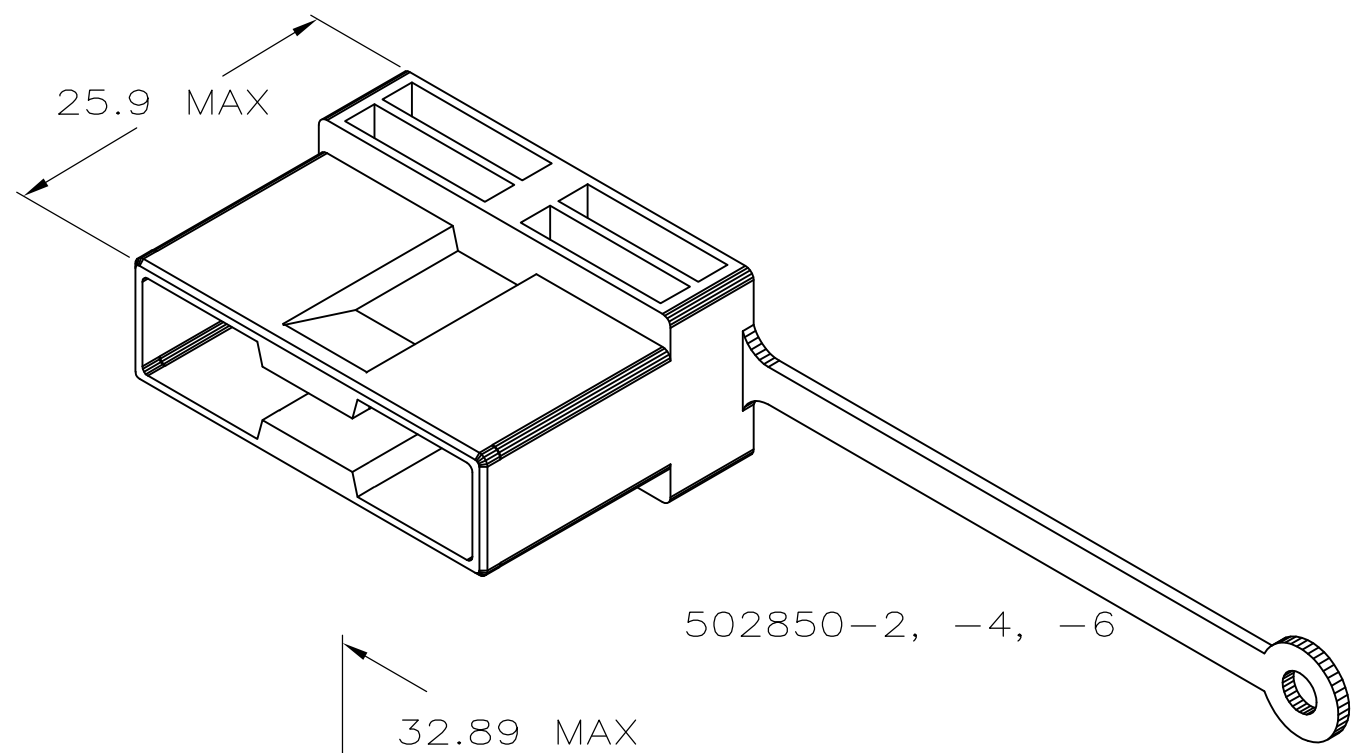
Email & Skype: info@chipsmall.com Web: www.chipsmall.com

Address: A1208, Overseas Decoration Building, #122 Zhenhua RD., Futian, Shenzhen, China

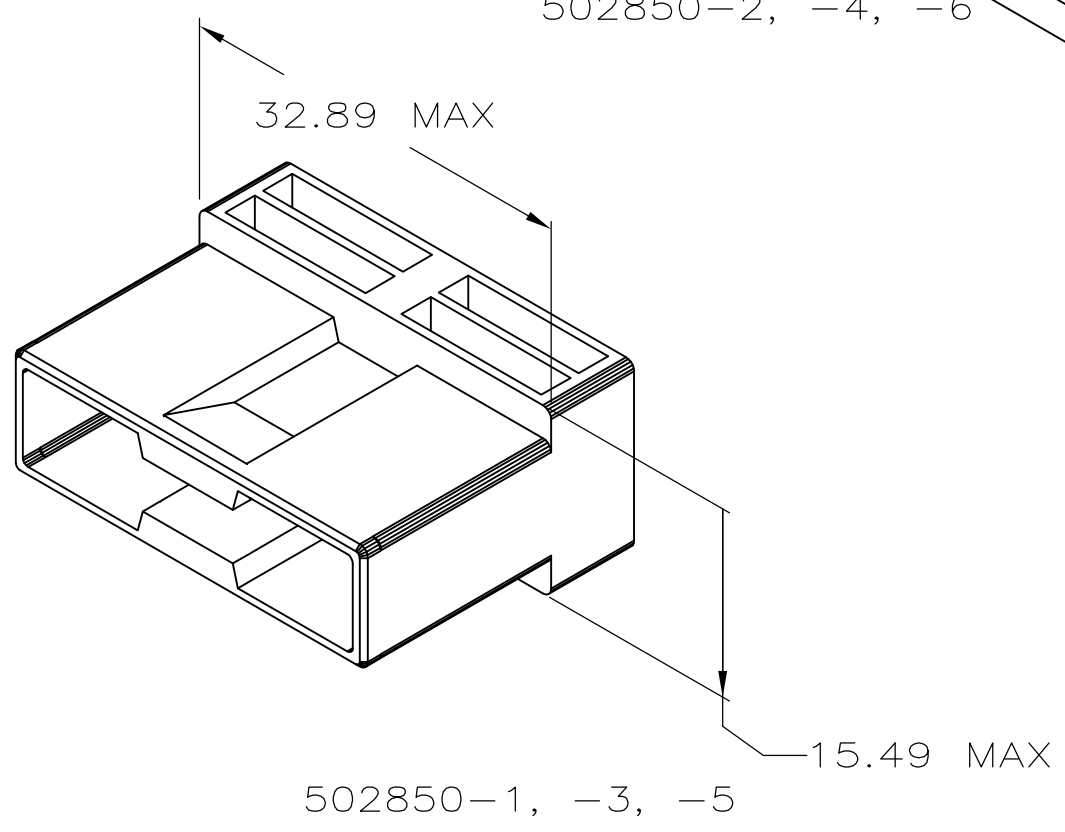


THIS DRAWING IS UNPUBLISHED. RELEASED FOR PUBLICATION
 © COPYRIGHT - By - ALL RIGHTS RESERVED.

LOC	DIST	REVISIONS					
		P	LTR	DESCRIPTION	DATE	DWN	APVD
CE	00		D	ECO-12-015760	04SEP2012	JM	TE



- 1. MATL: TPE: UL94 V-0 RATED AT QUALIFYING THICKNESS, SEE DASH NUMBER FOR COLOR.
- 2. FITS STANDARD MIC RECEPTACLE, ALL KEYING TYPES.



OBSOLETE	PEARL	WITH MOUNTING STRAP	502850-6
OBSOLETE	WHITE	W/O MOUNTING STRAP	502850-5
OBSOLETE	BLACK	WITH MOUNTING STRAP	502850-4
OBSOLETE		W/O MOUNTING STRAP	502850-3
OBSOLETE	BEIGE	WITH MOUNTING STRAP	502850-2
OBSOLETE		W/O MOUNTING STRAP	502850-1
	COLOR	DESCRIPTION	PART NUMBER

THIS DRAWING IS A CONTROLLED DOCUMENT.		DWN	6-26-96	STE TE Connectivity	
		CHK	7-9-96		
		APVD	7-9-96		
		PRODUCT SPEC	7-9-96		
		APPLICATION SPEC		DUST COVER, FIELD KEY RECEPTACLE	
DIMENSIONS: INCHES		SIZE	CAGE CODE	DRAWING NO	RESTRICTED TO
TOLERANCES UNLESS OTHERWISE SPECIFIED:		A3 00779		C-502850	-
0 PLC ± -		CUSTOMER DRAWING		SCALE	SHEET
1 PLC ± -				2:1	1 OF 1
2 PLC ± -					REV
3 PLC ± -					D
4 PLC ± -					
ANGLES ± -					
FINISH					
MATERIAL					