



Chipsmall Limited consists of a professional team with an average of over 10 year of expertise in the distribution of electronic components. Based in Hongkong, we have already established firm and mutual-benefit business relationships with customers from,Europe,America and south Asia,supplying obsolete and hard-to-find components to meet their specific needs.

With the principle of "Quality Parts,Customers Priority,Honest Operation,and Considerate Service",our business mainly focus on the distribution of electronic components. Line cards we deal with include Microchip,ALPS,ROHM,Xilinx,Pulse,ON,Everlight and Freescale. Main products comprise IC,Modules,Potentiometer,IC Socket,Relay,Connector.Our parts cover such applications as commercial,industrial, and automotives areas.

We are looking forward to setting up business relationship with you and hope to provide you with the best service and solution. Let us make a better world for our industry!



Contact us

Tel: +86-755-8981 8866 Fax: +86-755-8427 6832

Email & Skype: info@chipsmall.com Web: www.chipsmall.com

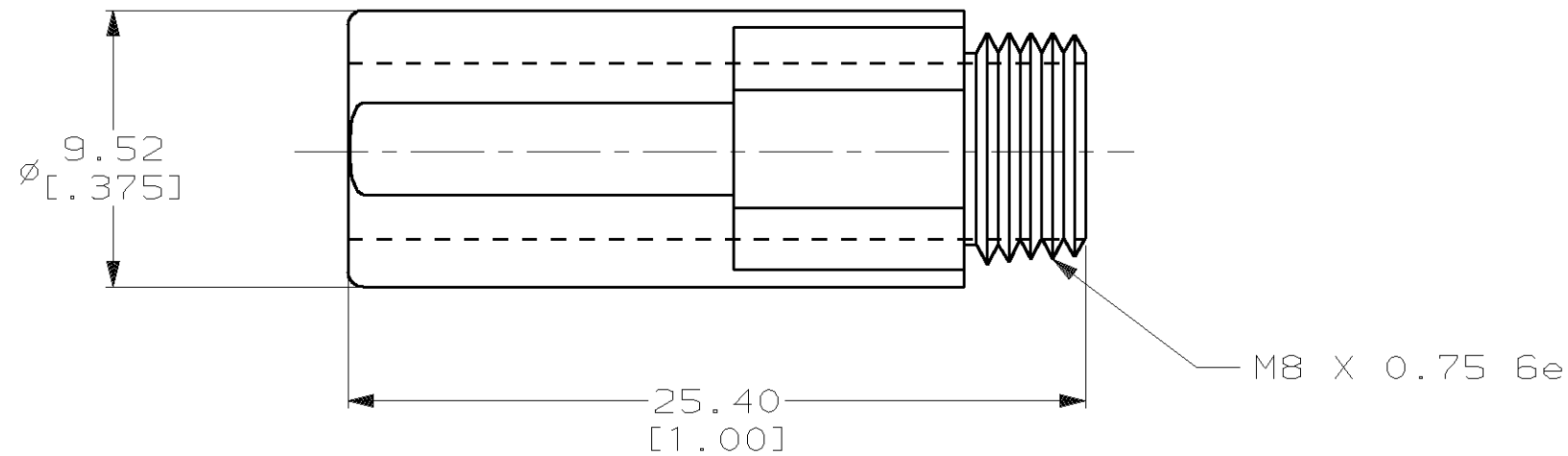
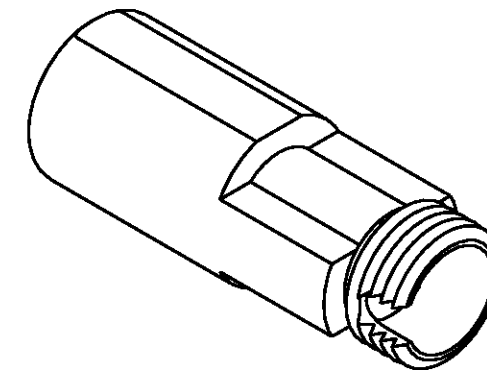
Address: A1208, Overseas Decoration Building, #122 Zhenhua RD., Futian, Shenzhen, China



THIS DRAWING IS UNPUBLISHED. RELEASED FOR PUBLICATION, 19
 © COPYRIGHT 19 BY AMP INCORPORATED. ALL INTERNATIONAL RIGHTS RESERVED.

LOC	DIST	P	F	REVISIONS			
ZONE	LTR	DESCRIPTION	DATE	APPD			
CE	00			A	REVISE PER 0A00-0601-04	08FEB05	KG/DK

1. TO PROTECT FIBER DURING CURING.
2. FITS OPTIMATE 2.0 AND 2.5mm THREADED CONNECTORS.



6	502862-2
1	502862-1
QUANTITY	PART NUMBER

DO NOT SCALE PRINT. UNLESS SPECIFIED DIMENSIONS IN mm [INCHES] TOLERANCES ON: 2 PLC DEC ± 0.25 [.01] 3 PLC DEC ± 0.12 [.005] ANGLES ± -		DR 7-19-91 T.ALEXANDER	AMP INCORPORATED Harrisburg, Pa. 17105	
MATERIAL THERMOPLASTIC		CHK 7-31-91 B.BRIGGS		
FINISH -		APPD 8-1-91 N.MILLER	NAME COVER, THREADED CONNECTORS	
		APPD 8-6-91 K.MONROE	SIZE B	FSCM NO 00779
		PRODUCT SPEC -	DRAWING NO 502862	
		APPLICATION SPEC -	SCALE 4:1	SHEET 1 OF 1
		WEIGHT -		