



Chipsmall Limited consists of a professional team with an average of over 10 year of expertise in the distribution of electronic components. Based in Hongkong, we have already established firm and mutual-benefit business relationships with customers from,Europe,America and south Asia,supplying obsolete and hard-to-find components to meet their specific needs.

With the principle of “Quality Parts,Customers Priority,Honest Operation,and Considerate Service”,our business mainly focus on the distribution of electronic components. Line cards we deal with include Microchip,ALPS,ROHM,Xilinx,Pulse,ON,Everlight and Freescale. Main products comprise IC,Modules,Potentiometer,IC Socket,Relay,Connector.Our parts cover such applications as commercial,industrial, and automotives areas.

We are looking forward to setting up business relationship with you and hope to provide you with the best service and solution. Let us make a better world for our industry!



## Contact us

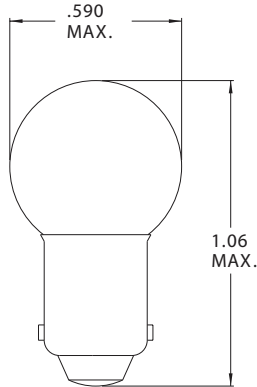
Tel: +86-755-8981 8866 Fax: +86-755-8427 6832

Email & Skype: info@chipsmall.com Web: www.chipsmall.com

Address: A1208, Overseas Decoration Building, #122 Zhenhua RD., Futian, Shenzhen, China

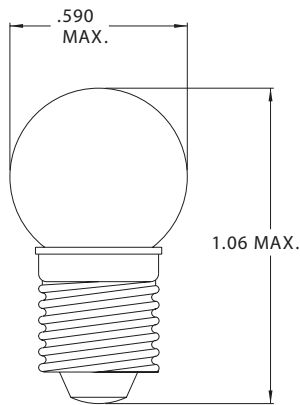


## G-4 1/2 Miniature Bayonet Base



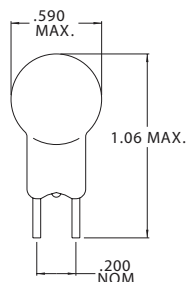
Part Number	Design Voltage	Amps	MSCP	Life Hours	Filament Type
CM427	5.0	.50	2.3	15	C-2R
CM503	5.1	.15	.60	100	C-2R
CM607	6.0	.50	3.6	3	C-2R
CM1406	6.0	.04	.10	250	C-6
CM604	6.15	.50	3.2	15	C-2R
CM55	7.0	.41	2.0	500	C-2R
CM1896	7.0	.50	2.2	1,500	C-2R
CM57	14.0	.24	2.0	500	C-2V
CM57X	14.0	.24	2.0	500	C-2F
CM293	14.0	.33	2.0	5,000	C-2F
CM431	14.0	.25	2.7	250	C-2V
CM1895	14.0	.27	2.0	1,500	C-2F
CM433	18.0	.25	3.5	250	C-2V
CM456	28.0	.17	2.0	5,000	C-2F

## G-4 1/2 Miniature Screw Base



Part Number	Design Voltage	Amps	MSCP	Life Hours	Filament Type
CM136	1.25	.60	.20	75	S-2
CM116	2.65	.41	.80	15	C-2R
CM27	4.90	.30	1.4	30	C-2R
CM425	5.00	.50	2.3	15	C-2
CM502	5.10	.15	.60	100	C-2R
CM1482	6.00	.45	2.2	100	C-2R
CM1483	6.00	.04	.10	500	C-6
CM31	6.15	.30	2.0	15	C-2R
CM605	6.15	.50	3.4	15	C-2R
CM428	12.50	.25	2.4	250	C-2V
CM430	14.0	.25	2.7	250	C-2R
CM432	18.0	.25	3.5	250	C-2V

## G-4 1/2 Miniature 2 Pin Base



Part Number	Design Voltage	Amps	MSCP	Life Hours	Filament Type
CM15	7.0	.40	2.0	500	C-6
CM20	14.0	.23	2.0	500	C-2R