



Chipsmall Limited consists of a professional team with an average of over 10 year of expertise in the distribution of electronic components. Based in Hongkong, we have already established firm and mutual-benefit business relationships with customers from,Europe,America and south Asia,supplying obsolete and hard-to-find components to meet their specific needs.

With the principle of “Quality Parts,Customers Priority,Honest Operation,and Considerate Service”,our business mainly focus on the distribution of electronic components. Line cards we deal with include Microchip,ALPS,ROHM,Xilinx,Pulse,ON,Everlight and Freescale. Main products comprise IC,Modules,Potentiometer,IC Socket,Relay,Connector.Our parts cover such applications as commercial,industrial, and automotives areas.

We are looking forward to setting up business relationship with you and hope to provide you with the best service and solution. Let us make a better world for our industry!



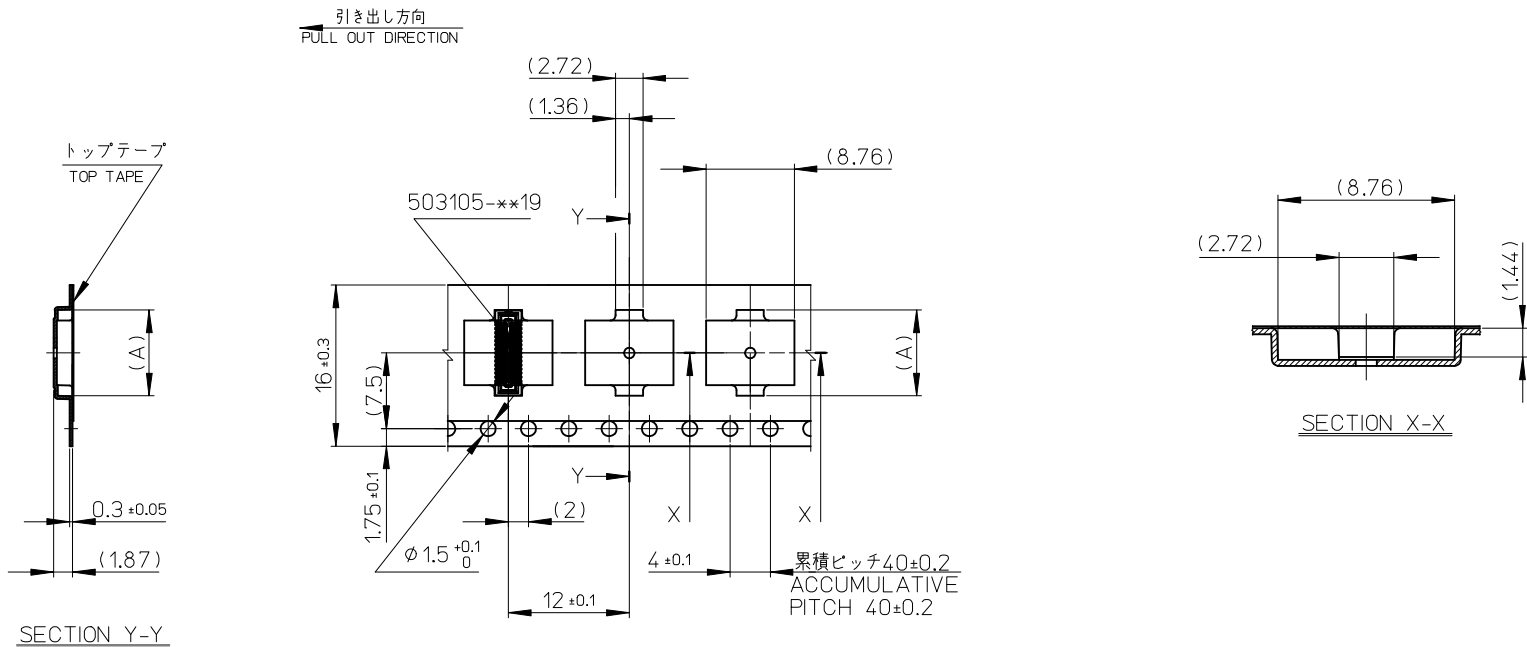
Contact us

Tel: +86-755-8981 8866 Fax: +86-755-8427 6832

Email & Skype: info@chipsmall.com Web: www.chipsmall.com

Address: A1208, Overseas Decoration Building, #122 Zhenhua RD., Futian, Shenzhen, China





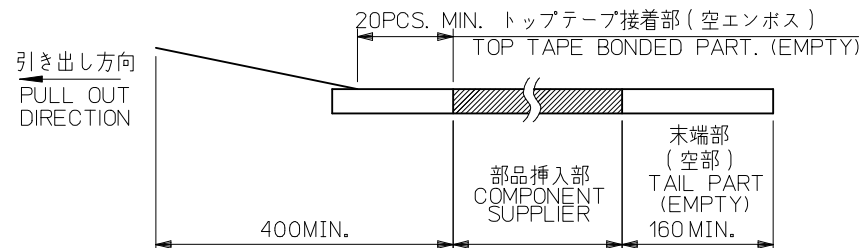
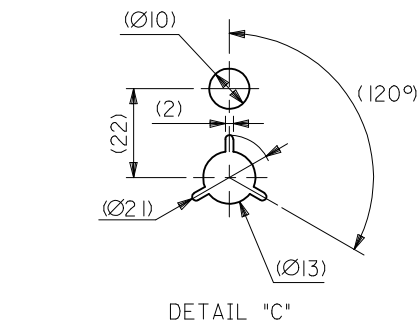
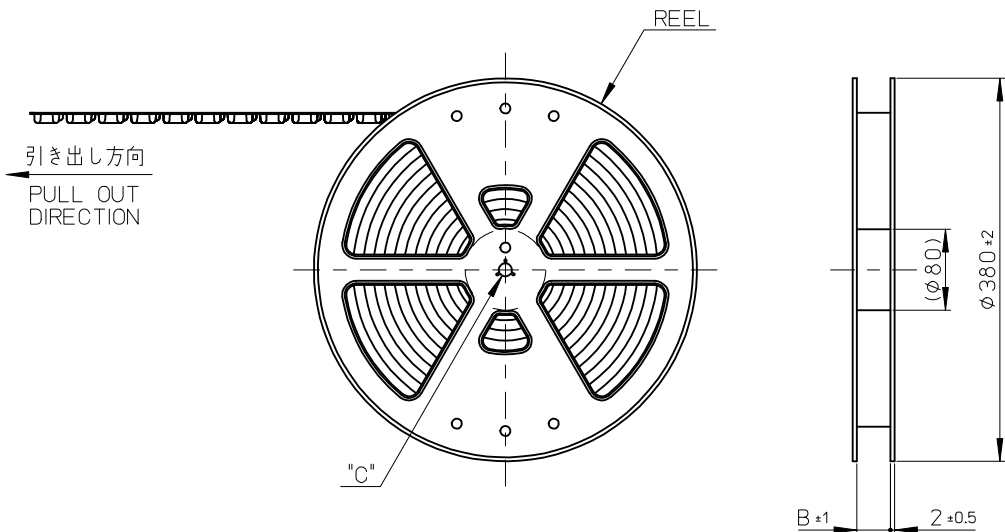
16mm 幅キャリアテープ
16mm WIDTH CARRIER TAPE

16	17.4	8.52	503105-3010	30
キャリアテープ幅 CARRIER TAPE WIDTH	B	(A)	MATERIAL No.	CKT.
			MODEL No.	503105-***10

SEE SHEET 1 OF 3 EC NO.: J2013-1009 DRWNG: TOYODA 2013/03/13 CHK'D: TASAKAWA 2013/03/13 APPR: MSASAO 2013/03/13	GENERAL TOLERANCES (UNLESS SPECIFIED)	DIMENSION STYLE MM ONLY	SCALE ---	DESIGN UNITS METRIC	THIRD ANGLE PROJECTION
	10 UNDER ±---	DRAWN BY RTAKEUCHI	DATE 2008/08/20	TITLE 0.4 B-TO-B CONN. HGT=1.5 REC ASSY EMBSTP PKG	
	10 OVER 30 UNDER ±---	CHECKED BY THIRATA	DATE 2008/08/20	molex DOCUMENT NO. SD-503105-002 SHEET NO. 2 OF 3	
	30 OVER ±---	APPROVED BY MSASAO	DATE 2008/08/20		
ANGULAR ±---°	DRAFT WHERE APPLICABLE MUST REMAIN WITHIN DIMENSIONS		SEE CHART THIS DRAWING CONTAINS INFORMATION THAT IS PROPRIETARY TO MOLEX INCORPORATED AND SHOULD NOT BE USED WITHOUT WRITTEN PERMISSION		

注記 NOTES

- 製品詳細寸法については製品単体図面を参照下さい。
FOR DETAIL OF CONNECTOR DIMENSIONS,
PLEASE SEE THE DRAWING OF CONNECTOR ITSELF (NOT PACKAGED).
- 梱包数量: 3000 個/リール
NUMBER OF CONNECTORS : 3000PCS/REEL
- リードテープ長さ LEAD TAPE LENGTH



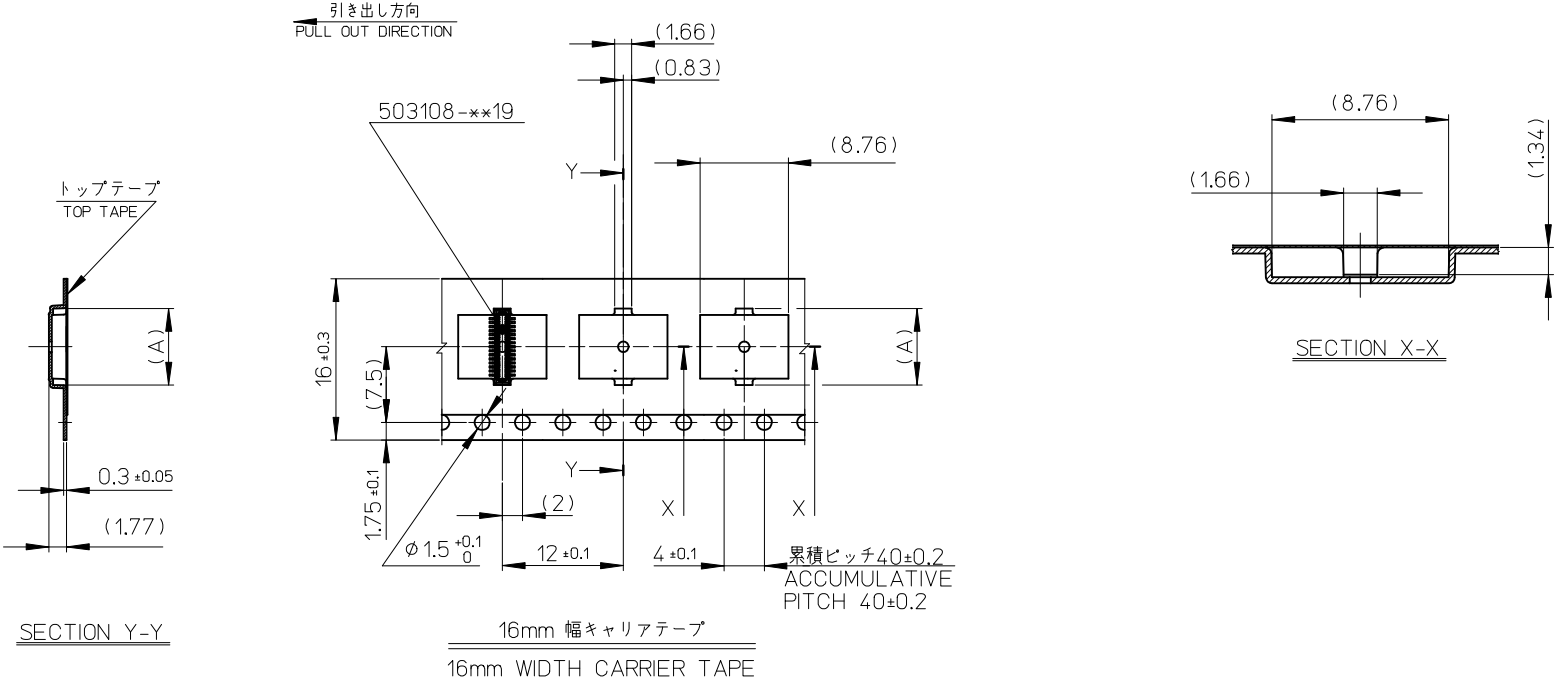
- トップテープの剥離強度: 0.1N~1.3N(10gf~130gf)
(剥離方向は下図参照)
尚、本規格値は出荷時に適用。(但し、輸送時に剥離が発生しないこと。)
PEELING OFF FORCE OF TOP TAPE : 0.1N~1.3N(10gf~130gf)
(PEELING DIRECTION AS SHOWN IN FOLLOWING FIG.)
THIS REQUIREMENT SHOULD BE APPLIED AT SHIPMENT.
PEEL OFF SHOULD NOT BE ALLOWED , DURING TRANSPORTION.



- 材料 MATERIAL
キャリアテープ (CARRIER TAPE): ポリスチレン (POLYSTYRENE)
トップテープ (TOP TAPE): PET , PE , PEF
リール (REEL): ポリスチレン (PS) <リサイクル材を含む>
POLYSTYRENE (PS) <RECYCLE MATERIAL CONTAINED>
- ELV 及び RoHS 適合品
ELV AND RoHS COMPLIANT

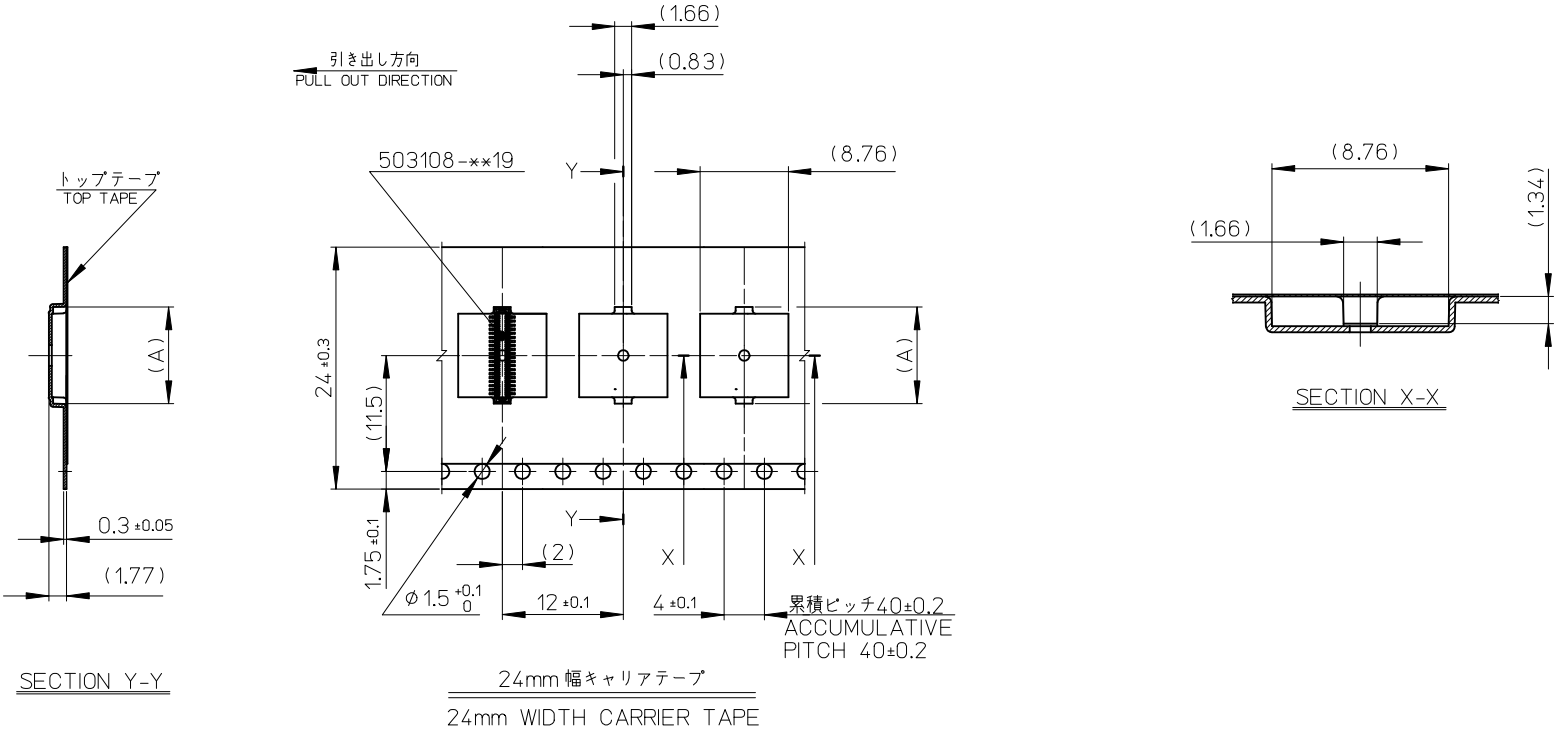
MODEL NO. 503108-**10

REVISED EC NO: J2013-1009 DRWN:KTOYODA 2013/03/13 CHKD:TASAKAWA 2013/03/13 APPR:MSASAO 2013/03/13	GENERAL TOLERANCES (UNLESS SPECIFIED)		DIMENSION STYLE MM ONLY	SCALE ---	DESIGN UNITS METRIC	THIRD ANGLE PROJECTION
	10 UNDER	±---	DRAWN BY RTAKEUCHI	DATE 2008/08/20	TITLE 0.4 B-TO-B CONN. HGT=1.5 PLUG ASSY EMBSTP PKG	
	10 OVER 30 UNDER	±---	CHECKED BY THIRATA	DATE 2008/08/20		
	30 OVER	±---	APPROVED BY MSASAO	DATE 2008/08/20		
ANGULAR	±---°	MATERIAL NO. SEE CHART		DOCUMENT NO. SD-503108-002	SHEET NO. 1 OF 3	
DRAFT WHERE APPLICABLE MUST REMAIN WITHIN DIMENSIONS		THIS DRAWING CONTAINS INFORMATION THAT IS PROPRIETARY TO MOLEX INCORPORATED AND SHOULD NOT BE USED WITHOUT WRITTEN PERMISSION				



16	17.4	7.58	503108-3010	30
キャリアテープ幅 CARRIER TAPE WIDTH	B	(A)	MATERIAL No.	CKT.
			MODEL No.	503108-**10

SEE SHEET 1 OF 3 EC NO.: J2013-1009 DRWN:KTOYODA 2013/03/13 CHKD:TASAKAWA 2013/03/13 APPR:MSASAO 2013/03/13	DESCRIPTION REV	GENERAL TOLERANCES (UNLESS SPECIFIED)		DIMENSION STYLE MM ONLY		SCALE	DESIGN UNITS	THIRD ANGLE PROJECTION
		10 UNDER	±---	DRAWN BY		DATE	TITLE	
		10 OVER 30 UNDER	±---	RTAKEUCHI		2008/08/20	0.4 B-TO-B CONN. HGT=1.5 PLUG ASSY EMBSTP PKG	
		30 OVER	±---	CHECKED BY		DATE		
		ANGULAR	±---°	APPROVED BY		DATE	molex	
		DRAFT WHERE APPLICABLE MUST REMAIN WITHIN DIMENSIONS		MSASAO		2008/08/20		DOCUMENT NO.
				SEE CHART		SD-503108-002		SHEET NO.
				SIZE	THIS DRAWING CONTAINS INFORMATION THAT IS PROPRIETARY TO MOLEX INCORPORATED AND SHOULD NOT BE USED WITHOUT WRITTEN PERMISSION			2 OF 3



24	25.5	11.58	503108-5010	50	
		10.38	503108-4410	44	
		9.58	503108-4010	40	
キャリアテープ幅 CARRIER TAPE WIDTH		B	(A)	MATERIAL No.	CKT.
			MODEL No.	503108-**-10	

REVISED EC NO: J2013-1009 DRWN: KTOYODA 2013/03/13 CHKD: TASAKAWA 2013/03/13 APPR: MSASAO 2013/03/13	DESCRIPTION REV	GENERAL TOLERANCES (UNLESS SPECIFIED)		DIMENSION STYLE MM ONLY		SCALE ---	DESIGN UNITS METRIC	THIRD ANGLE PROJECTION		
		10 UNDER	±---	DRAWN BY RTAKEUCHI	DATE 2008/08/20	TITLE 0.4 B-TO-B CONN. HGT=1.5 PLUG ASSY EMBSTP PKG				
		10 OVER 30 UNDER	±---	CHECKED BY THIRATA	DATE 2008/08/20	molex DOCUMENT NO. SD-503108-002 SHEET NO. 3 OF 3				
		30 OVER	±---	APPROVED BY MSASAO	DATE 2013/03/13					
ANGULAR ±---°		DRAFT WHERE APPLICABLE MUST REMAIN WITHIN DIMENSIONS		MATERIAL NO. SEE CHART						