



Chipsmall Limited consists of a professional team with an average of over 10 year of expertise in the distribution of electronic components. Based in Hongkong, we have already established firm and mutual-benefit business relationships with customers from,Europe,America and south Asia,supplying obsolete and hard-to-find components to meet their specific needs.

With the principle of “Quality Parts,Customers Priority,Honest Operation,and Considerate Service”,our business mainly focus on the distribution of electronic components. Line cards we deal with include Microchip,ALPS,ROHM,Xilinx,Pulse,ON,Everlight and Freescale. Main products comprise IC,Modules,Potentiometer,IC Socket,Relay,Connector.Our parts cover such applications as commercial,industrial, and automotives areas.

We are looking forward to setting up business relationship with you and hope to provide you with the best service and solution. Let us make a better world for our industry!



Contact us

Tel: +86-755-8981 8866 Fax: +86-755-8427 6832

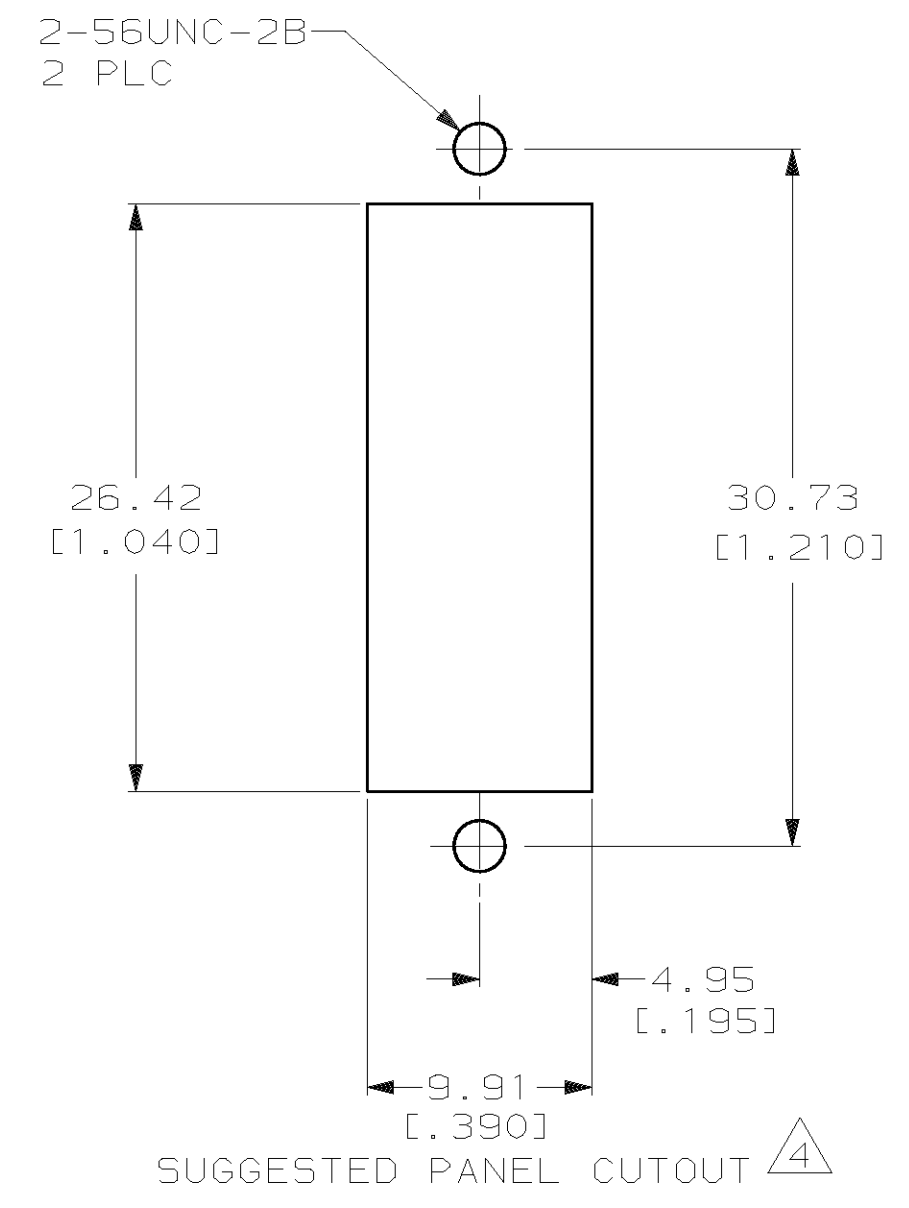
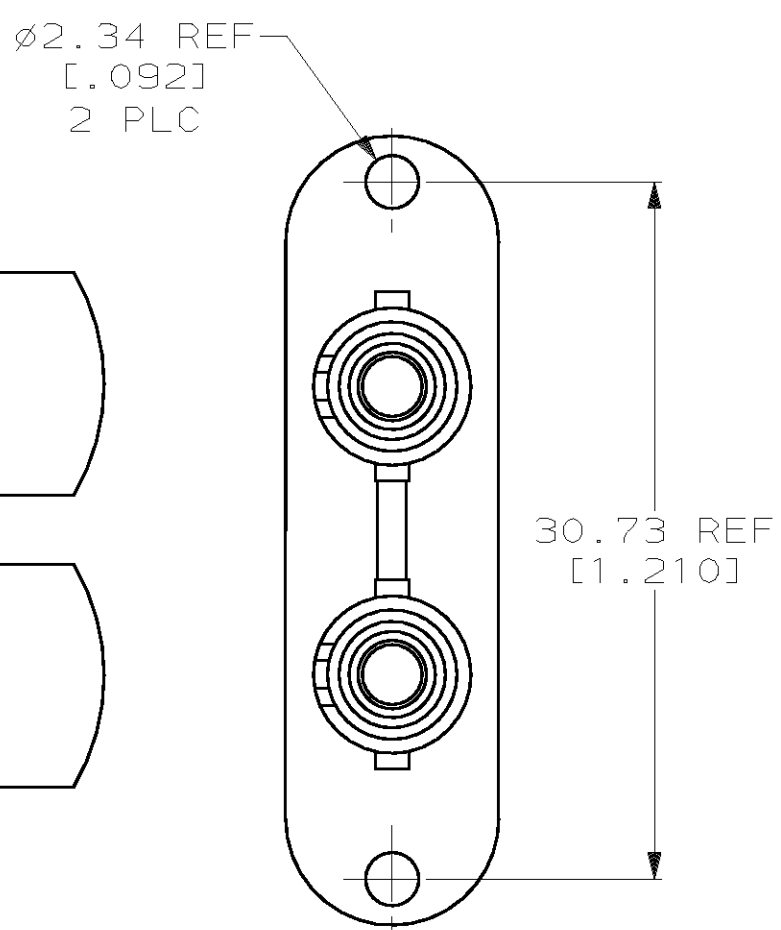
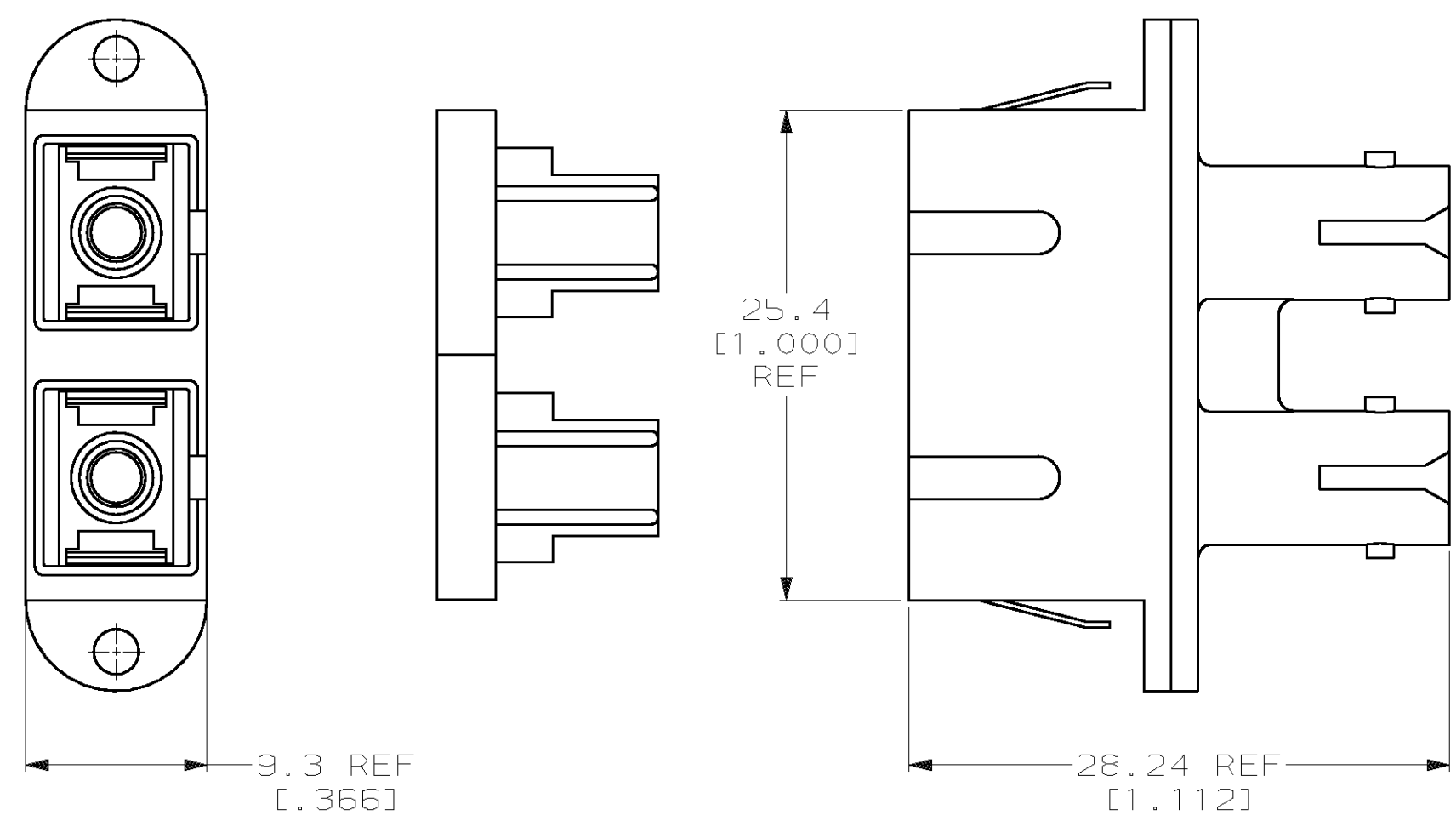
Email & Skype: info@chipsmall.com Web: www.chipsmall.com

Address: A1208, Overseas Decoration Building, #122 Zhenhua RD., Futian, Shenzhen, China



THIS DRAWING IS UNPUBLISHED. RELEASED FOR PUBLICATION, 19 .
 © COPYRIGHT 19 BY AMP INCORPORATED. ALL INTERNATIONAL RIGHTS RESERVED.

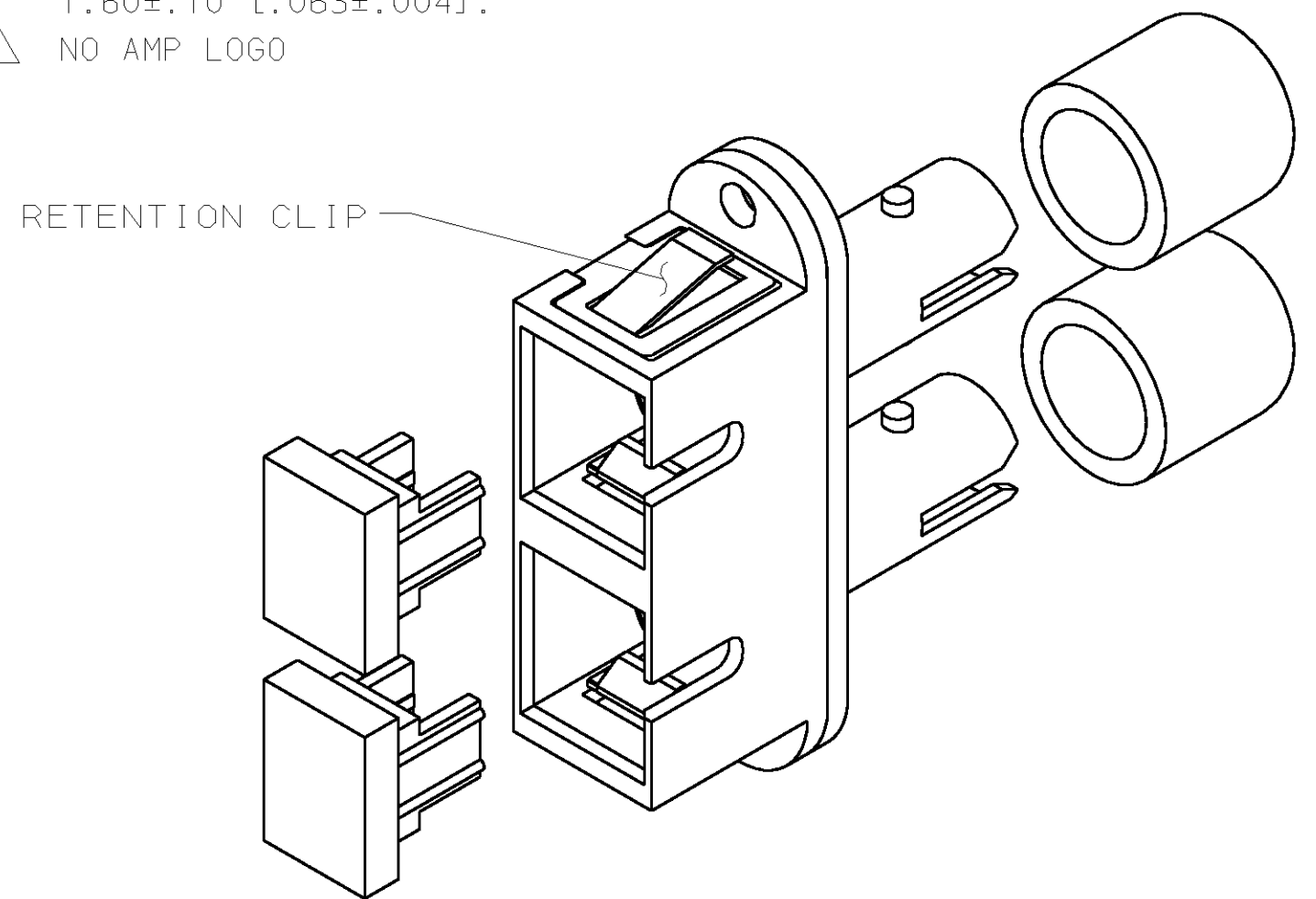
LOC		DIST		REVISIONS				DATE	APPD
CE	16	P	F	ZONE	LTR	DESCRIPTION			
					K	REVISE PER 0A00-0632-02	24JUL02	KG/SB	



- 1 MATERIAL:
 HOUSINGS - PPE+PS, UL 94 V-0*, SEE DASH NUMBERS FOR COLOR
 RETENTION CLIP - STAINLESS STEEL
 SLEEVE - SEE TABLE
 CONNECTOR RETAINER - PEI-GF30, COLOR: BLACK, UL 94 V-0*
 DUST COVER, SC - TPE, COLOR: BLACK, UL 94 V-0*
 DUST COVER, ST - PVC, COLOR: RED, NON-FR
 *RATED AT QUALIFYING THICKNESS

2. DIMENSIONS IN [] ARE IN INCHES.
 3 BULK PACKAGE, 50 PIECES.
 4 RECOMMENDED PANEL THICKNESS 1.60±.10 [.063±.004].
 5 NO AMP LOGO

5	RETENTION CLIP	BEIGE	PHOSPHOR BRONZE	2-503137-0
5	RETENTION CLIP	BLUE	ZIRCONIA	1-503137-9
	NONE	BLACK	PHOSPHOR BRONZE	1-503137-7
3	NONE	LT ALMOND	ZIRCONIA	1-503137-6
	NONE	LT ALMOND	ZIRCONIA	1-503137-5
3	NONE	LT ALMOND	PHOSPHOR BRONZE	1-503137-4
	NONE	LT ALMOND	PHOSPHOR BRONZE	1-503137-3
3	RETENTION CLIP	BEIGE	ZIRCONIA	1-503137-2
3	RETENTION CLIP	BLUE	ZIRCONIA	1-503137-1
3	RETENTION CLIP	BLACK	ZIRCONIA	1-503137-0
3	RETENTION CLIP	BEIGE	PHOSPHOR BRONZE	503137-9
3	RETENTION CLIP	BLUE	PHOSPHOR BRONZE	503137-8
3	RETENTION CLIP	BLACK	PHOSPHOR BRONZE	503137-7
	RETENTION CLIP	BEIGE	ZIRCONIA	503137-6
	RETENTION CLIP	BLUE	ZIRCONIA	503137-5
	RETENTION CLIP	BLACK	ZIRCONIA	503137-4
	RETENTION CLIP	BEIGE	PHOSPHOR BRONZE	503137-3
	RETENTION CLIP	BLUE	PHOSPHOR BRONZE	503137-2
	RETENTION CLIP	BLACK	PHOSPHOR BRONZE	503137-1
	INCLUDED HARDWARE	COLOR	ALIGNMENT SLEEVE	PART NO



DO NOT SCALE PRINT. UNLESS SPECIFIED DIMENSIONS IN INCHES TOLERANCES ON : 2 PLC DEC ± - 3 PLC DEC ± - ANGLES ± -	DR 10-6-92 R R SCHAFFER	AMP INCORPORATED Harrisburg, Pa. 17105	
MATERIAL 1	CHK 10-6-92 D STAKEM		
FINISH -	APPD 10-6-92 K MONROE	NAME	
	APPD 10-6-92 R WEBER	ADAPTER, DUPLEX AMP SC - ST STYLE	
	PRODUCT SPEC -	SIZE C	FSCM NO 00779
	APPLICATION SPEC -	DRAWING NO 503137	
	WEIGHT -	SCALE 3:1	SHEET 1 OF 1

METRIC