



Chipsmall Limited consists of a professional team with an average of over 10 year of expertise in the distribution of electronic components. Based in Hongkong, we have already established firm and mutual-benefit business relationships with customers from,Europe,America and south Asia,supplying obsolete and hard-to-find components to meet their specific needs.

With the principle of "Quality Parts,Customers Priority,Honest Operation,and Considerate Service",our business mainly focus on the distribution of electronic components. Line cards we deal with include Microchip,ALPS,ROHM,Xilinx,Pulse,ON,Everlight and Freescale. Main products comprise IC,Modules,Potentiometer,IC Socket,Relay,Connector.Our parts cover such applications as commercial,industrial, and automotives areas.

We are looking forward to setting up business relationship with you and hope to provide you with the best service and solution. Let us make a better world for our industry!



Contact us

Tel: +86-755-8981 8866 Fax: +86-755-8427 6832

Email & Skype: info@chipsmall.com Web: www.chipsmall.com

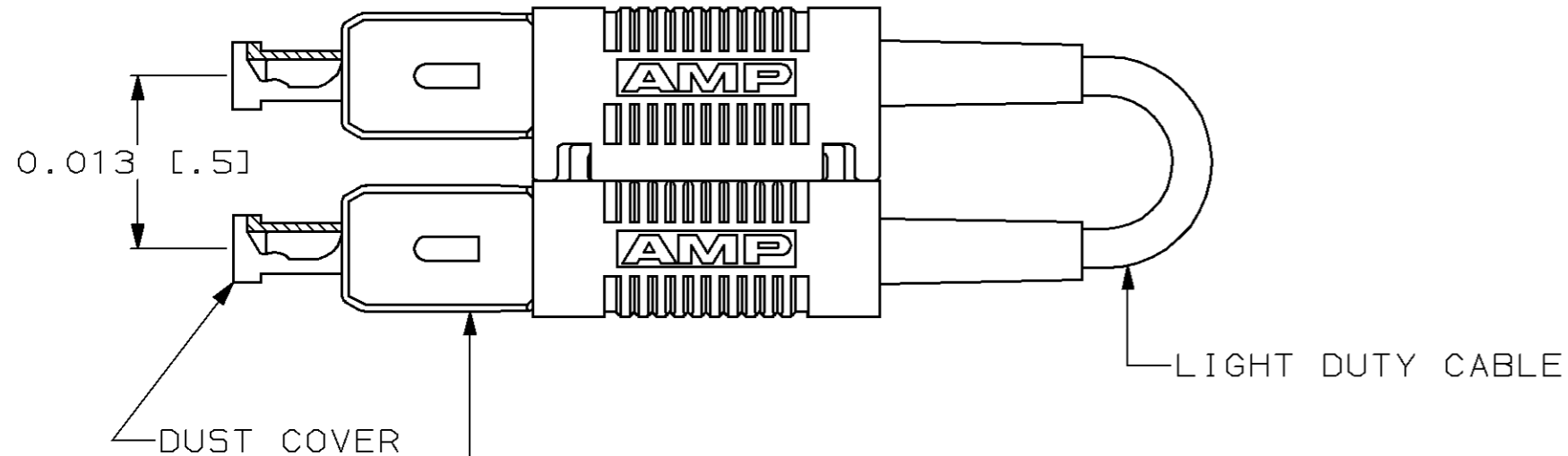
Address: A1208, Overseas Decoration Building, #122 Zhenhua RD., Futian, Shenzhen, China



THIS DRAWING IS UNPUBLISHED. RELEASED FOR PUBLICATION, 19
 © COPYRIGHT 19 BY AMP INCORPORATED. ALL INTERNATIONAL RIGHTS RESERVED.

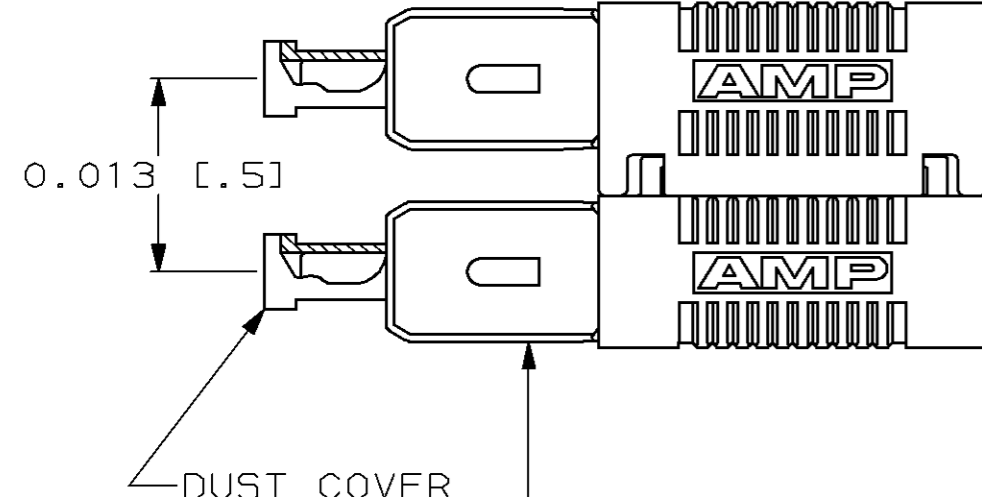
LOC	DIST	P	F	REVISIONS			DATE	APPD
CE	16			ZONE	LTR	DESCRIPTION		
					H	REVISE PER 0A00-0521-98	29SEP98	CK/MK

503141-1



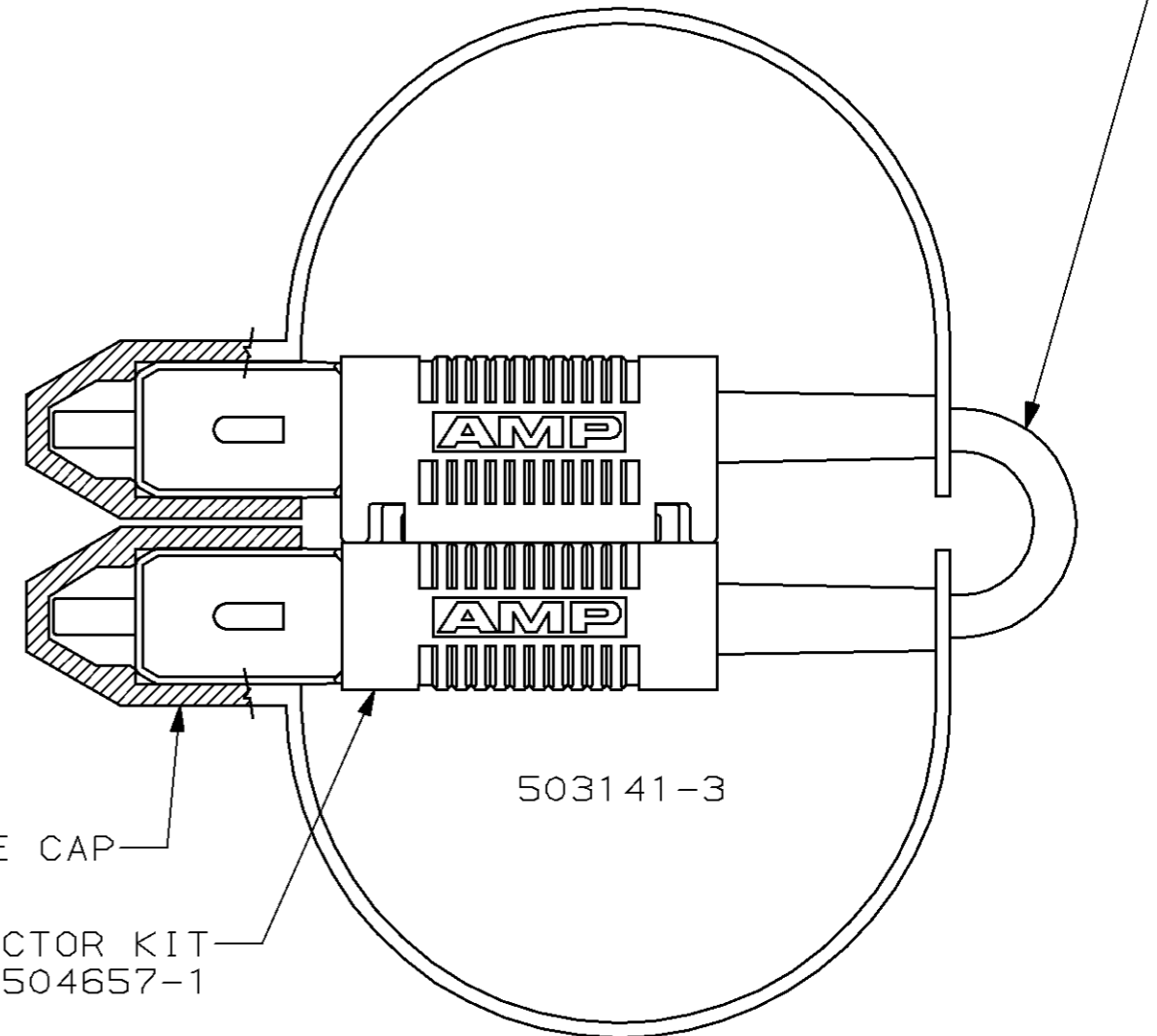
AMP SC DUPLEX CONNECTOR KIT
 PART NUMBER: 504657-1

503141-2



AMP SC DUPLEX CONNECTOR KIT
 PART NUMBER: 504657-1

LIGHT DUTY CABLE



AMP SC DUPLEX CONNECTOR KIT
 PART NUMBER: 504657-1

0.6 dB	62.5/125µm	503141-3
0.8 dB	50/125µm	503141-2
0.6 dB	62.5/125µm	503141-1
MAXIMUM INSERTION LOSS	FIBER SIZE	PART NUMBER

1. DIMENSIONS IN [] ARE IN INCHES.

METRIC

THIS DRAWING IS A CONTROLLED DOCUMENT FOR AMP INCORPORATED. IT IS SUBJECT TO CHANGE AND THE CONTROLLING ENGINEERING ORGANIZATION SHOULD BE CONTACTED FOR THE LATEST REVISION.

DO NOT SCALE PRINT. UNLESS SPECIFIED DIMENSIONS IN METERS (INCHES)	DR 10-1-92 R R SCHAFER
TOLERANCES ON: 2 PLC DEC ± - 3 PLC DEC ± - ANGLES ± -	CHK 10-1-92 D STAKEM
MATERIAL -	APPD 10-1-92 K NONROE
FINISH -	APPD 10-1-92 R WEBER
	PRODUCT SPEC -
	APPLICATION SPEC -
	WEIGHT -

AMP AMP Incorporated Harrisburg, PA 17105-3608		
NAME CONNECTOR ASSEMBLY, LOW LOSS LOOPBACK AMP SC (NG), OPTIMATE®		
SIZE B	CAGE CODE 00779	DRAWING NO C-503141
SCALE NTS	SHEET 1 OF 1	