



Chipsmall Limited consists of a professional team with an average of over 10 year of expertise in the distribution of electronic components. Based in Hongkong, we have already established firm and mutual-benefit business relationships with customers from,Europe,America and south Asia,supplying obsolete and hard-to-find components to meet their specific needs.

With the principle of “Quality Parts,Customers Priority,Honest Operation,and Considerate Service”,our business mainly focus on the distribution of electronic components. Line cards we deal with include Microchip,ALPS,ROHM,Xilinx,Pulse,ON,Everlight and Freescale. Main products comprise IC,Modules,Potentiometer,IC Socket,Relay,Connector.Our parts cover such applications as commercial,industrial, and automotives areas.

We are looking forward to setting up business relationship with you and hope to provide you with the best service and solution. Let us make a better world for our industry!



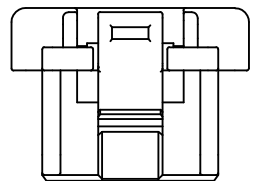
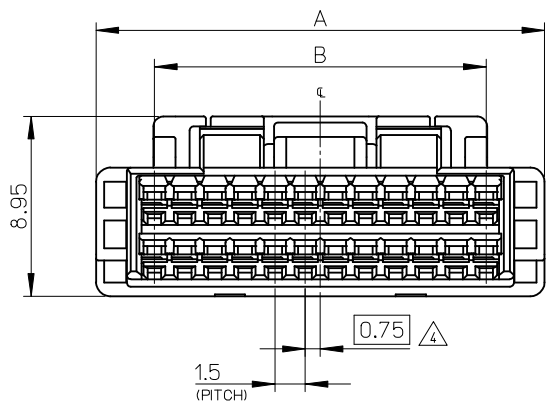
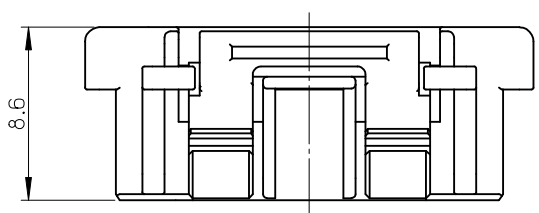
Contact us

Tel: +86-755-8981 8866 Fax: +86-755-8427 6832

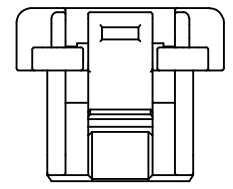
Email & Skype: info@chipsmall.com Web: www.chipsmall.com

Address: A1208, Overseas Decoration Building, #122 Zhenhua RD., Futian, Shenzhen, China

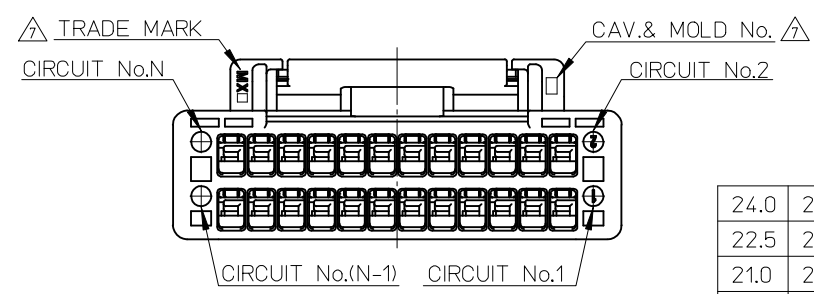
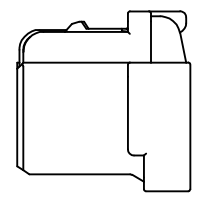




10CKTのロック形状
FIGURE OF 10 CIRCUIT



8CKTのロック形状
FIGURE OF 8 CIRCUIT



24.0	29.8	△	503149340*	34
22.5	28.3		503149320*	32
21.0	26.8		503149300*	30
19.5	25.3		503149280*	28
18.0	23.8		503149260*	26
16.5	22.3		503149240*	24
15.0	20.8		503149220*	22
13.5	19.3		503149200*	20
12.0	17.8		503149180*	18
10.5	16.3		503149160*	16
9.0	14.8		503149140*	14
7.5	13.3		503149120*	12
6.0	11.8		503149100*	10
4.5	10.3		503149080*	8
B	A		MATERIAL AND ORDER No. △	CIRCUIT No.

REVISED EC NO: J2015-0528 DRWN: TAKAIKE 2014/10/23 CHKD: KASAKAWA 2015/02/16 APPR: NUKITA 2015/02/16	GENERAL TOLERANCES (UNLESS SPECIFIED)		DIMENSION STYLE MM ONLY		SCALE 4:1	DESIGN UNITS METRIC	THIRD ANGLE PROJECTION	
	0.25 UNDER	±0.03	DRAWN BY T. HANYU	DATE 2008/1/8	TITLE 1.5 W/B CONN. DUAL PLUG HOUSING			
	0.25 OVER 0.5 UNDER	±0.05	CHECKED BY K. ASAKAWA	DATE 2008/1/8				
	0.5 OVER 1.0 UNDER	±0.1	APPROVED BY YO. ITO	DATE 2008/1/8				
1.0 OVER 10 UNDER	±0.2	MATERIAL NO.		DOCUMENT NO.	SHEET NO.			
10 OVER 30 UNDER	±0.25	SEE TABLE		SD-503149-001	1 OF 2			
30 OVER	±0.3	DRAFT WHERE APPLICABLE MUST REMAIN WITHIN DIMENSIONS		THIS DRAWING CONTAINS INFORMATION THAT IS PROPRIETARY TO MOLEX INCORPORATED AND SHOULD NOT BE USED WITHOUT WRITTEN PERMISSION				
ANGULAR	±1 °	SIZE A3						

NOTES

- 1. 材料 PBT UL94V-0
MATERIAL
- ④ 2. 嵌合相手: 503148, 503154, 505406シリーズ
MATE WITH : 503148, 503154, 505406 SERIES
- 3. 適合ターミナル: 502579, 503429シリーズ
APPLICABLE TERMINAL : 502579, 503429 SERIES
- △ 4. 極数/2=偶数極の場合に適用
APPLY FOR (CIRCUIT/2=EVEN)
- △ 5. 製品番号
MATERIAL No.

503149 - $\times \times 0 \times$
極数 色
 CIRCUIT SIZE COLOR

COLOR	黒 BLACK	赤 RED	青 BLUE	緑 GREEN	ベージュ BEIGE (NATURAL)
COLOR No.	1	2	4	6	0

- 6. 本製品のプラスチック部に黒点・白点等が確認される場合や色合いが異なる場合がありますが、製品性能に問題はありません。
THERE IS NO INFLUENCE IN THE PRODUCT PERFORMANCE THOUGH THE BLACK AND WHITE SPOT ETC. MIGHT BE CONFIRMED TO THE PLASTIC PART OF THIS PRODUCT AND THE SADE MIGHT BE DIFFERENT.
- △ 7. トレードマーク: Mプラス 2文字の製造工場を示すアルファベットにて表示。
'但し、"J"はJAPANを"L"はMALAYSIAを示す。(例 MXJ 又はMXL)'
金型番号: アルファベット1文字にて表示。(例 1A, 12A, 1B, 12B)
FORMED BY M AND FROM 1 TO 2 MORE LETTER OF ALPHABET WHICH MEAN THE MANUFACTORY.
'BUT "J" MEANS JAPAN. "L" MEANS MALAYSIA (TO TRADE MARK)' (e.g. MXJ OR MXL).
AND BY 1 - 2 DIGIT NUMBER (TO CAVITY NO.)
"AND BY 1 LETTER OF ALPHABET (TO MOLD NO.)"(e.g. 1A, 12A, 1B, 12B)."
- 8. アプリケーション仕様書(コネクタ取扱説明書): AS-503149-001
APPLICATION SPECIFICATIONS (CONNECTOR MANUAL) : AS-503149-001
- 9. 製品仕様書: PS-503148-001 / PS-503154-001
PRODUCT SPECIFICATION : PS-503148-001 / PS-503154-001
- 10. ELV及びRoHS適合品
ELV AND RoHS COMPLIANT
- △ 11. 34極品の色対応はベージュと黒色のみとなります。
A COLOR OF 34CKT. IS ONLY BEIGE AND BLACK.

REVISED	EC NO: J2015-0528	2014/10/23	GENERAL TOLERANCES (UNLESS SPECIFIED)		DIMENSION STYLE		SCALE	DESIGN UNITS	THIRD ANGLE PROJECTION
	DRWN: TAKAIKE	2015/02/16	0.25 UNDER	±0.03	MM ONLY		1:1	METRIC	
	CHKD: KASAKAWA	2015/02/16	0.25 OVER 0.5 UNDER	±0.05	DRAWN BY DATE		TITLE		
	APPR: NUKITA	2015/02/16	0.5 OVER 1.0 UNDER	±0.1	T. HANYU 2008/1/8		1.5 W/B CONN. DUAL PLUG HOUSING		
DESCRIPTION	1.0 OVER 10 UNDER		±0.2	CHECKED BY DATE		K. ASAKAWA 2008/1/8		molex	
	10 OVER 30 UNDER		±0.25	APPROVED BY DATE		Y0. ITO 2008/1/8			
	30 OVER		±0.3	MATERIAL NO.		DOCUMENT NO.		SHEET NO.	
	ANGULAR ±1 °			SEE SHEET 1		SD-503149-001		2 OF 2	
DRAFT WHERE APPLICABLE MUST REMAIN WITHIN DIMENSIONS			SIZE	THIS DRAWING CONTAINS INFORMATION THAT IS PROPRIETARY TO MOLEX INCORPORATED AND SHOULD NOT BE USED WITHOUT WRITTEN PERMISSION					
			A3						