



Chipsmall Limited consists of a professional team with an average of over 10 year of expertise in the distribution of electronic components. Based in Hongkong, we have already established firm and mutual-benefit business relationships with customers from,Europe,America and south Asia,supplying obsolete and hard-to-find components to meet their specific needs.

With the principle of "Quality Parts,Customers Priority,Honest Operation,and Considerate Service",our business mainly focus on the distribution of electronic components. Line cards we deal with include Microchip,ALPS,ROHM,Xilinx,Pulse,ON,Everlight and Freescale. Main products comprise IC,Modules,Potentiometer,IC Socket,Relay,Connector.Our parts cover such applications as commercial,industrial, and automotives areas.

We are looking forward to setting up business relationship with you and hope to provide you with the best service and solution. Let us make a better world for our industry!



Contact us

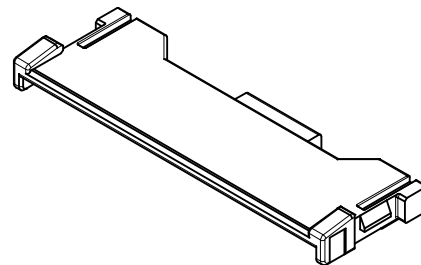
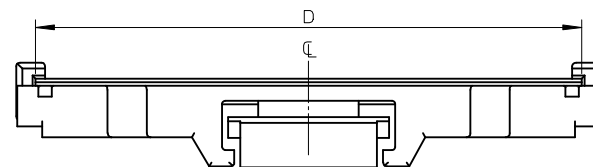
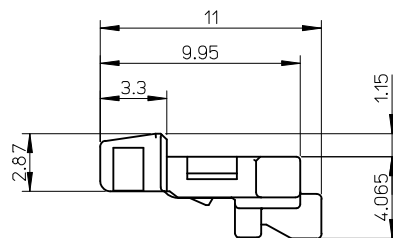
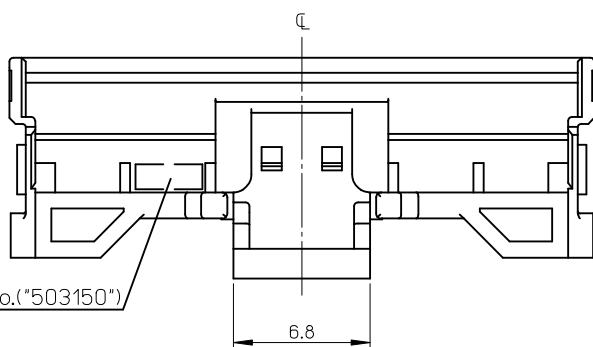
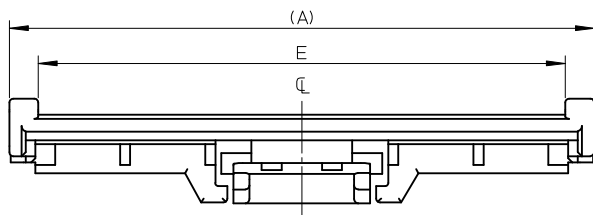
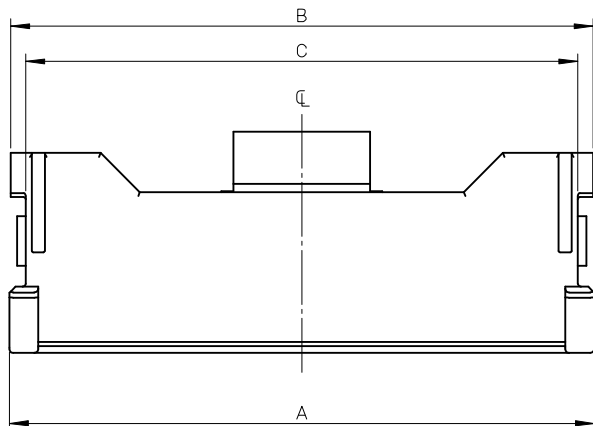
Tel: +86-755-8981 8866 Fax: +86-755-8427 6832

Email & Skype: info@chipsmall.com Web: www.chipsmall.com

Address: A1208, Overseas Decoration Building, #122 Zhenhua RD., Futian, Shenzhen, China



ELV AND RoHS COMPLIANT.



EGN. No. ("503150")

注記 NOTE

1. 適合プラグジャケットカバー: 503151-****
 APPLICABLE PLUG JACKET COVER : 503151-****

2. 材質
 MATERIAL
 PBT, UL94V-0, 色: 黒色
 PBT, UL94V-0, COLOR: BLACK

26.2	27.16	27.46	28.96	29.08	503150-5009	50
E	D	C	B	A	PLASTIC BAG	CKTS.
					ORDER NO. オーダー番号	

REVISED EC NO: J2009-1709 DRWN: TNAGAWA01 2009/01/14 CHKD: HMATSUMOTO 2009/01/14 APPR: NUKITA 2009/01/14	GENERAL TOLERANCES (UNLESS SPECIFIED)		DIMENSION STYLE MM ONLY		SCALE //	DESIGN UNITS METRIC	THIRD ANGLE PROJECTION
	10 UNDER	±0.2	DRAWN BY M. NABEI	DATE '08/07/07	TITLE 0.5 FFC TO BOARD CONN. PLUG JACKET		
	10 OVER 30 UNDER	±0.25	CHECKED BY K. MORIKAWA	DATE '08/07/07	MOLEX INCORPORATED		
	30 OVER	±0.3	APPROVED BY H. HIRATA	DATE '08/07/07			
ANGULAR	±1 °	MATERIAL NO. SEE TABLE		DOCUMENT NO. SD-503150-001	SHEET NO. 1 OF 1		
DRAFT WHERE APPLICABLE MUST REMAIN WITHIN DIMENSIONS		THIS DRAWING CONTAINS INFORMATION THAT IS PROPRIETARY TO MOLEX INCORPORATED AND SHOULD NOT BE USED WITHOUT WRITTEN PERMISSION					