



Chipsmall Limited consists of a professional team with an average of over 10 year of expertise in the distribution of electronic components. Based in Hongkong, we have already established firm and mutual-benefit business relationships with customers from,Europe,America and south Asia,supplying obsolete and hard-to-find components to meet their specific needs.

With the principle of “Quality Parts,Customers Priority,Honest Operation,and Considerate Service”,our business mainly focus on the distribution of electronic components. Line cards we deal with include Microchip,ALPS,ROHM,Xilinx,Pulse,ON,Everlight and Freescale. Main products comprise IC,Modules,Potentiometer,IC Socket,Relay,Connector.Our parts cover such applications as commercial,industrial, and automotives areas.

We are looking forward to setting up business relationship with you and hope to provide you with the best service and solution. Let us make a better world for our industry!



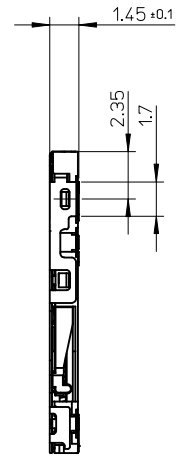
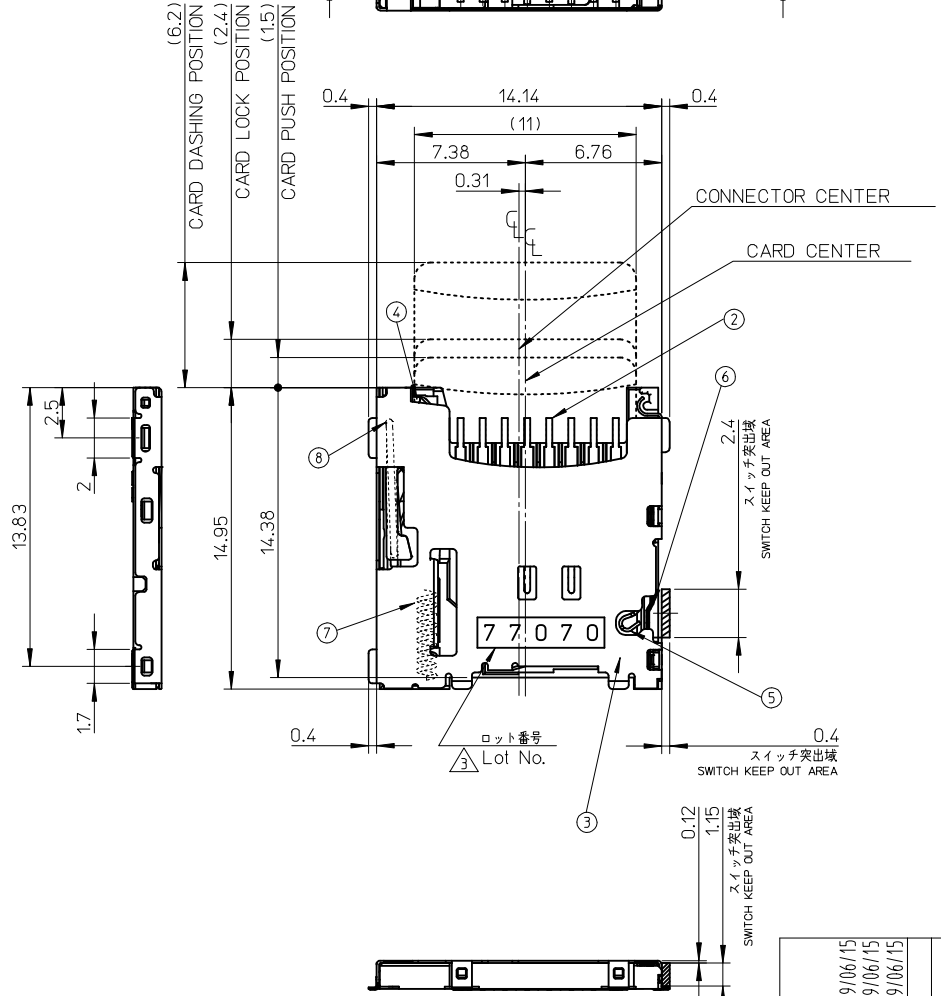
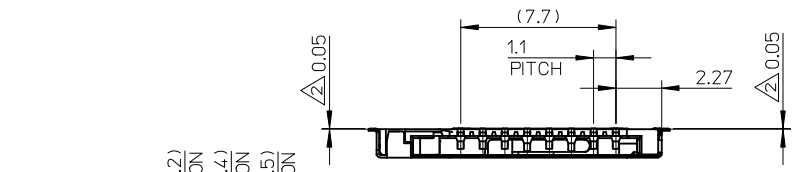
Contact us

Tel: +86-755-8981 8866 Fax: +86-755-8427 6832

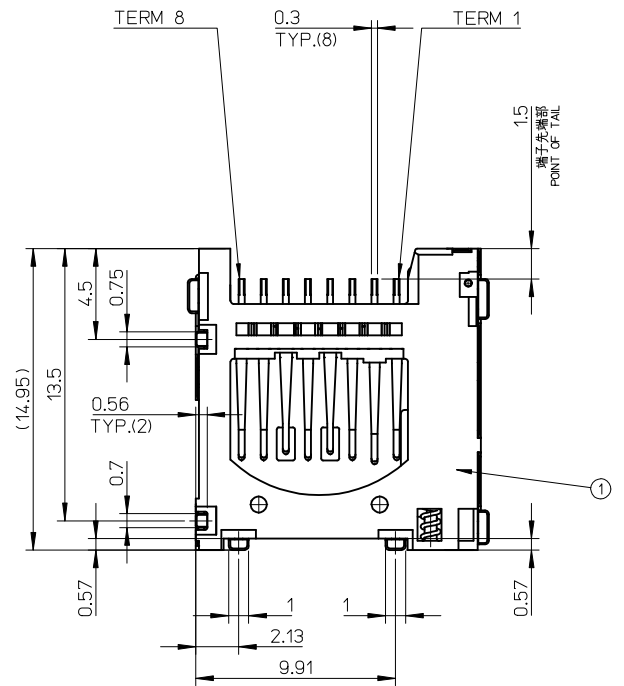
Email & Skype: info@chipsmall.com Web: www.chipsmall.com

Address: A1208, Overseas Decoration Building, #122 Zhenhua RD., Futian, Shenzhen, China





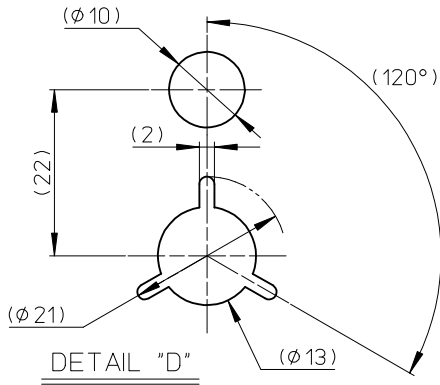
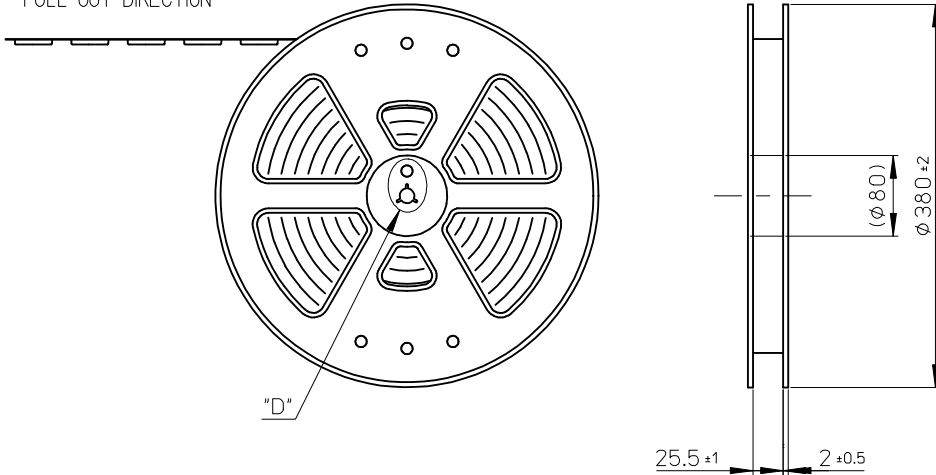
- TERM 1: DATA2
- TERM 2: CD/DAT3
- TERM 3: CMD
- TERM 4: vdd
- TERM 5: CLK
- TERM 6: vss
- TERM 7: DAT0
- TERM 8: DAT1



503182-0852	503182-0842	503182-08**
EMBOSSED TAPE	MATERIAL NO.	MODEL NO.
ORDER No. オーダー番号		

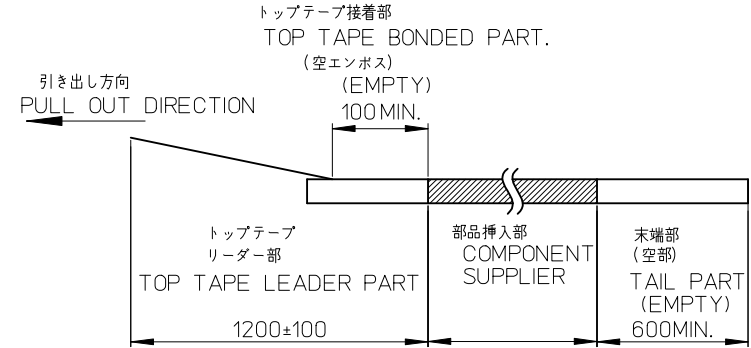
RELEASED EC NO: J2009-2810 DRWN:YNAITO 2009/06/15 CHKD:MTOMITA 2009/06/15 APPR:MSASAO 2009/06/15	GENERAL TOLERANCES (UNLESS SPECIFIED)		DIMENSION STYLE MM ONLY		SCALE 4:1	DESIGN UNITS METRIC	THIRD ANGLE PROJECTION
	10 UNDER	±0.2	DRAWN BY YNAITO	DATE 2009/06/01	TITLE MICRO SD CONN. NORMAL ULTRA LOW-PROFILE ASSY		
	10 OVER 30 UNDER	±0.25	CHECKED BY MTOMITA	DATE 2009/06/01	MOLEX INCORPORATED		
	30 OVER	±0.3	APPROVED BY MSASAO	DATE 2009/06/01	DOCUMENT NO. SD-503182-003		
REV A	DESCRIPTION ANGULAR ±1 ° DRAFT WHERE APPLICABLE MUST REMAIN WITHIN DIMENSIONS	MATERIAL NO. SEE CHART	SIZE A3	THIS DRAWING CONTAINS INFORMATION THAT IS PROPRIETARY TO MOLEX INCORPORATED AND SHOULD NOT BE USED WITHOUT WRITTEN PERMISSION			

引き出し方向
PULL OUT DIRECTION



NOTES

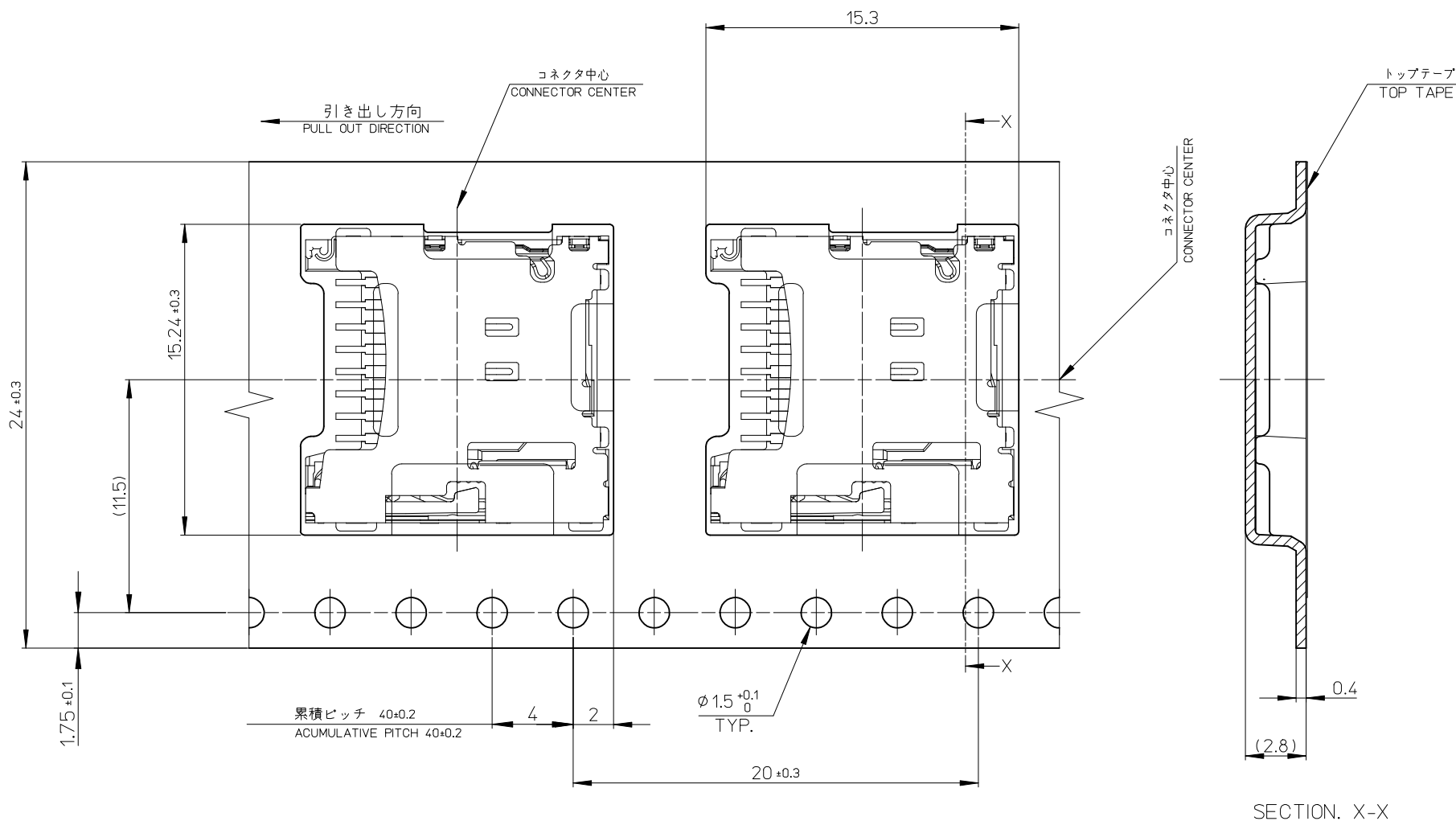
- 製品詳細寸法は製品単体図面を参照して下さい。
FOR DETAIL OF CONNECTOR DIMENSIONS, PLEASE SEE THE DRAWING OF CONNECTOR ITSELF (NOT PACKAGED).
- 梱包数量: 1600個/リール
NUMBER OF CONNECTORS: 1600 PCS/REEL.
- リードテープ長さ LEAD TAPE LENGTH.



- 材料 MATERIAL
キャリアテープ(CARRIER TAPE): ポリスチレン (POLYSTYRENE)
トップテープ(TOP TAPE): PET, PE, PEF
リール(REEL): ポリスチレン(PS)<リサイクル材含む>
POLYSTYRENE (PS)<RECYCLE MATERIAL CONTAINED>
- ELV AND RoHS COMPLIANT

503182-0842	503182-0852	503182-08**
CONNECTOR ONLY	MATERIAL NO.	MODEL NO.
ORDER No. オーダー番号		

RELEASED EC NO.: J2009-2810 DRWN: YNAITO 2009/06/15 CHKD: MTOMITA 2009/06/15 APPR: MSASAO 2009/06/15	GENERAL TOLERANCES (UNLESS SPECIFIED)		DIMENSION STYLE MM ONLY		SCALE ---	DESIGN UNITS METRIC	THIRD ANGLE PROJECTION
	10 UNDER	±0.2	DRAWN BY YNAITO	DATE 2009/06/01	TITLE MICRO SD CONN. ULTRA LOW-PRO EMBOSSED TAPE PACKAGE		
	10 OVER 30 UNDER	±0.25	CHECKED BY MTOMITA	DATE 2009/06/01	MOLEX INCORPORATED		
	30 OVER	±0.3	APPROVED BY MSASAO	DATE 2009/06/01	DOCUMENT NO. SD-503182-004		
REV A	DESCRIPTION	ANGULAR ±1 °	MATERIAL NO. SEE CHART		SHEET NO. 1 OF 2		
		DRAFT WHERE APPLICABLE MUST REMAIN WITHIN DIMENSIONS		THIS DRAWING CONTAINS INFORMATION THAT IS PROPRIETARY TO MOLEX INCORPORATED AND SHOULD NOT BE USED WITHOUT WRITTEN PERMISSION			



SECTION. X-X

SEE SHEET 1 OF 2 EC NO: J2009-2810 DRWN:YNAITO 2009/06/15 CHKD:MTOMITA 2009/06/15 APPR:MSASAO 2009/06/15	GENERAL TOLERANCES (UNLESS SPECIFIED)		DIMENSION STYLE MM ONLY		SCALE 5:1	DESIGN UNITS METRIC	THIRD ANGLE PROJECTION		
	10 UNDER	±0.2	DRAWN BY YNAITO	DATE 2009/06/01	TITLE MICRO SD CONN. ULTRA LOW-PRO EMBOSSED TAPE PACKAGE				
	10 OVER 30 UNDER	±0.25	CHECKED BY MTOMITA	DATE 2009/06/01	MOLEX INCORPORATED				
	30 OVER	±0.3	APPROVED BY MSASAO	DATE 2009/06/01	DOCUMENT NO. SD-503182-004				
ANGULAR ±1 °	DRAFT WHERE APPLICABLE MUST REMAIN WITHIN DIMENSIONS	MATERIAL NO. SEE SHEET 1 OF 2		SHEET NO. 2 OF 2					
SIZE A3	THIS DRAWING CONTAINS INFORMATION THAT IS PROPRIETARY TO MOLEX INCORPORATED AND SHOULD NOT BE USED WITHOUT WRITTEN PERMISSION								