



Chipsmall Limited consists of a professional team with an average of over 10 year of expertise in the distribution of electronic components. Based in Hongkong, we have already established firm and mutual-benefit business relationships with customers from,Europe,America and south Asia,supplying obsolete and hard-to-find components to meet their specific needs.

With the principle of “Quality Parts,Customers Priority,Honest Operation,and Considerate Service”,our business mainly focus on the distribution of electronic components. Line cards we deal with include Microchip,ALPS,ROHM,Xilinx,Pulse,ON,Everlight and Freescale. Main products comprise IC,Modules,Potentiometer,IC Socket,Relay,Connector.Our parts cover such applications as commercial,industrial, and automotives areas.

We are looking forward to setting up business relationship with you and hope to provide you with the best service and solution. Let us make a better world for our industry!



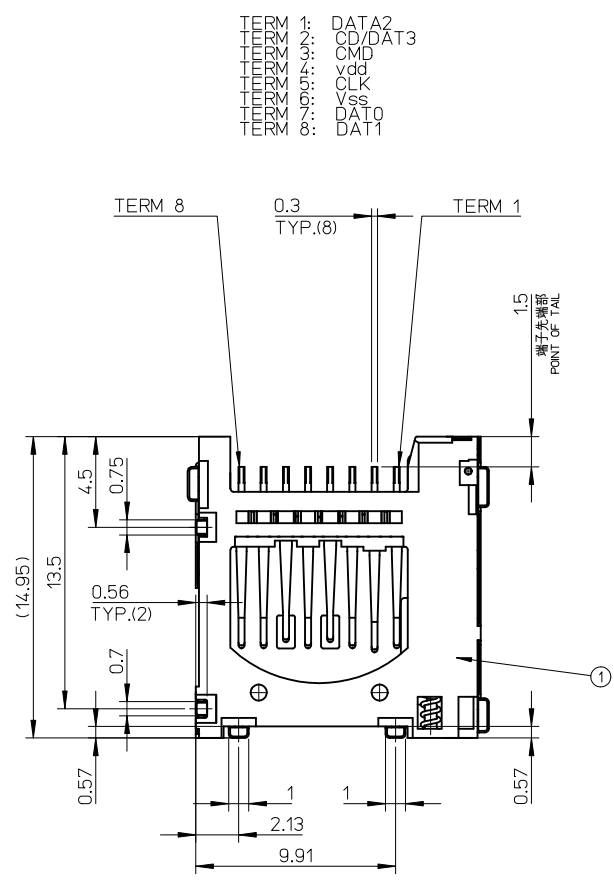
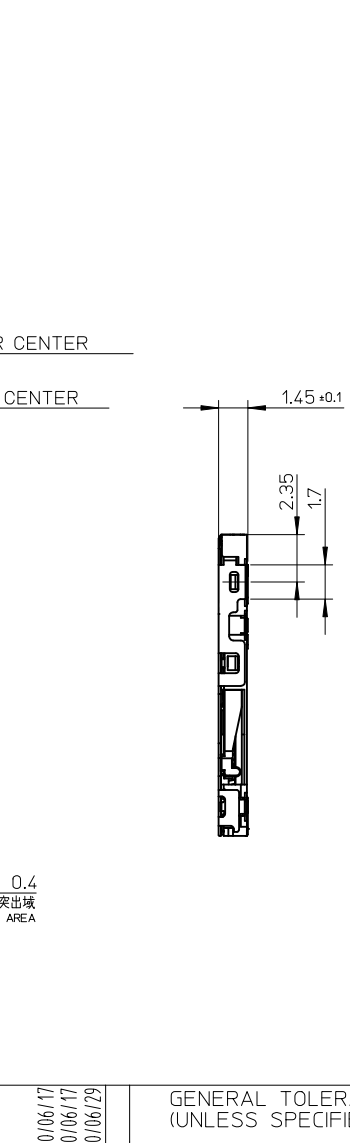
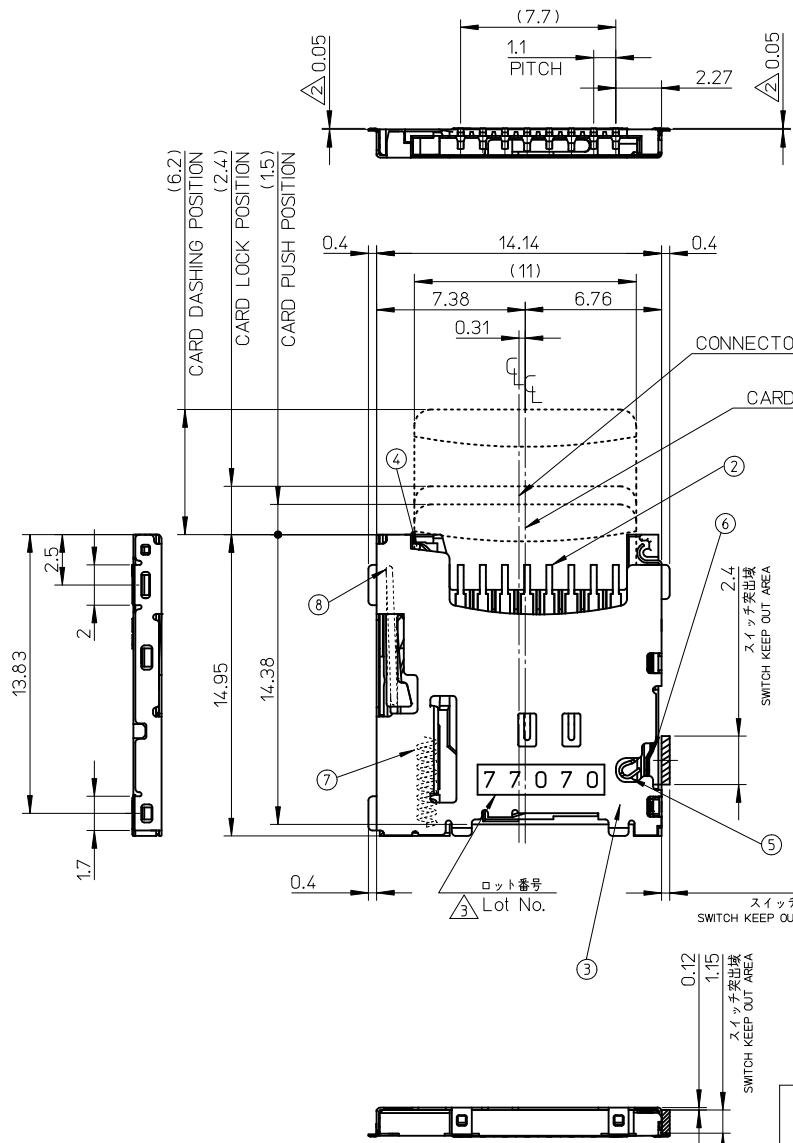
Contact us

Tel: +86-755-8981 8866 Fax: +86-755-8427 6832

Email & Skype: info@chipsmall.com Web: www.chipsmall.com

Address: A1208, Overseas Decoration Building, #122 Zhenhua RD., Futian, Shenzhen, China





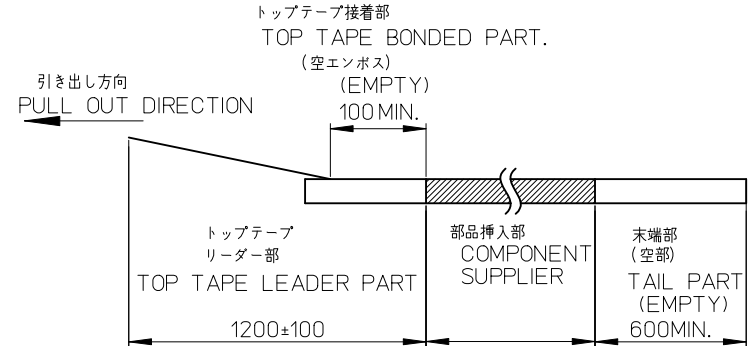
- TERM 1: DATA2
- TERM 2: CD/DAT3
- TERM 3: CMD
- TERM 4: vdd
- TERM 5: CLK
- TERM 6: vss
- TERM 7: DAT0
- TERM 8: DAT1

503182-0853	8
EMBOSSED TAPE	極数
ORDER No. オーダー番号	CIRCUITS
CONNECTOR SERIES No. 503182-***43	

RELEASED EC NO.: J2010-2578 DRW: MTAKASAKI 2010/06/17 CHKD: MTOMITA 2010/06/17 APPR: NUKITA 2010/06/29	GENERAL TOLERANCES (UNLESS SPECIFIED)		DIMENSION STYLE	SCALE	DESIGN UNITS	THIRD ANGLE PROJECTION	
	10 UNDER ± 0.2		MM ONLY	4:1	METRIC		
	10 OVER 30 UNDER ± 0.25		DRAWN BY	DATE	TITLE		
	30 OVER ± 0.3		MTAKASAKI	2010/06/17	MICRO SD CONN. NORMAL ULTRA LOW-PROFILE ASSY		
DESCRIPTION REV 0	ANGULAR ± 1 °		CHECKED BY	DATE	MOLEX MOLEX INCORPORATED		
	DRAFT WHERE APPLICABLE MUST REMAIN WITHIN DIMENSIONS		MTOMITA	2010/06/17	DOCUMENT NO. SD-503182-007		
	MATERIAL NO.		APPROVED BY	DATE	SHEET NO. 1 OF 2		
	SEE CHART		NUKITA	2010/06/28	THIS DRAWING CONTAINS INFORMATION THAT IS PROPRIETARY TO MOLEX INCORPORATED AND SHOULD NOT BE USED WITHOUT WRITTEN PERMISSION		

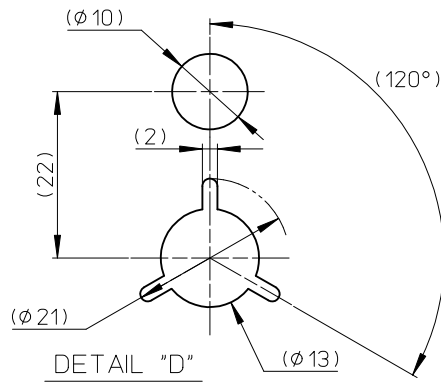
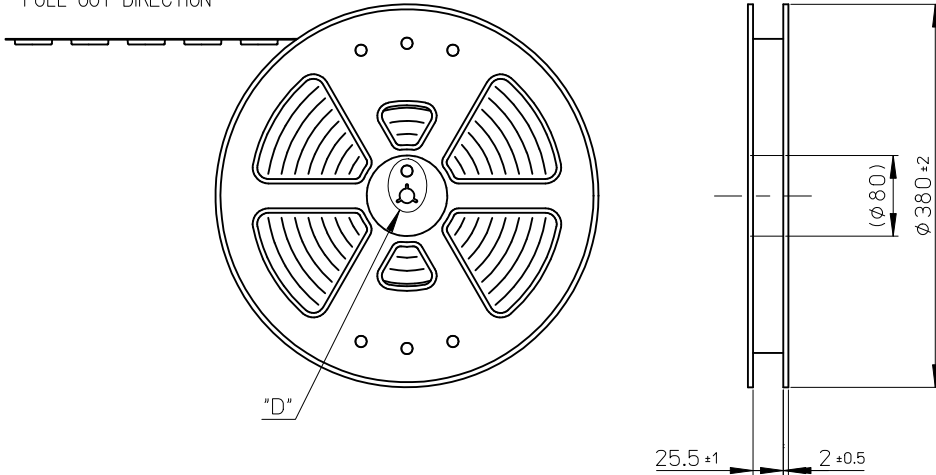
NOTES

- 製品詳細寸法は製品単体図面を参照して下さい。
FOR DETAIL OF CONNECTOR DIMENSIONS, PLEASE SEE THE DRAWING OF CONNECTOR ITSELF (NOT PACKAGED).
- 梱包数量: 1600個/リール
NUMBER OF CONNECTORS: 1600 PCS/REEL.
- リードテープ長さ LEAD TAPE LENGTH.



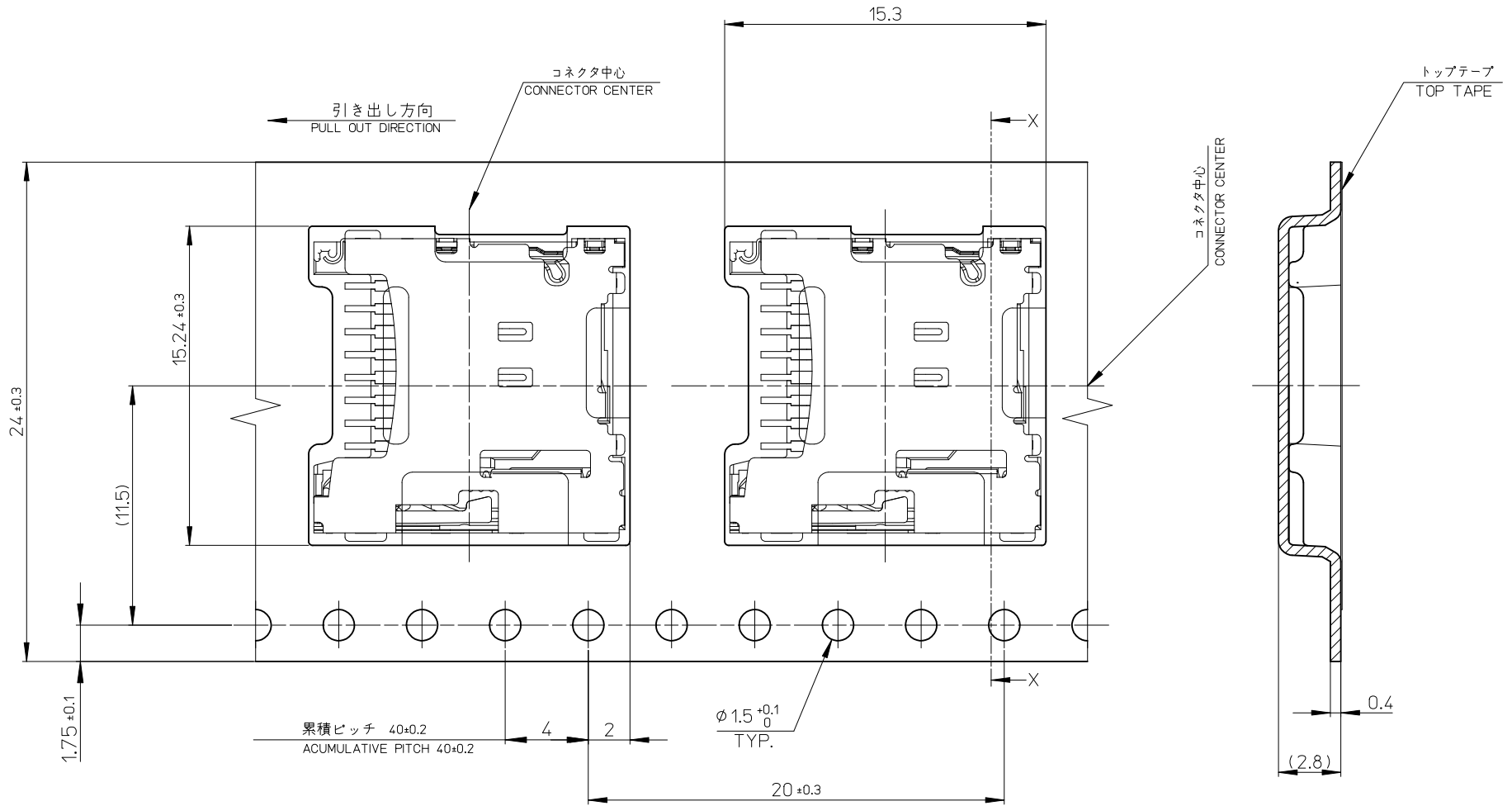
- 材料 MATERIAL
キャリアテープ(CARRIER TAPE): ポリスチレン (POLYSTYRENE)
トップテープ(TOP TAPE): PET, OTHER
リール(REEL): ポリスチレン(PS)<リサイクル材含む>
POLYSTYRENE (PS)<RECYCLE MATERIAL CONTAINED>
- ELV AND RoHS COMPLIANT

引き出し方向
PULL OUT DIRECTION



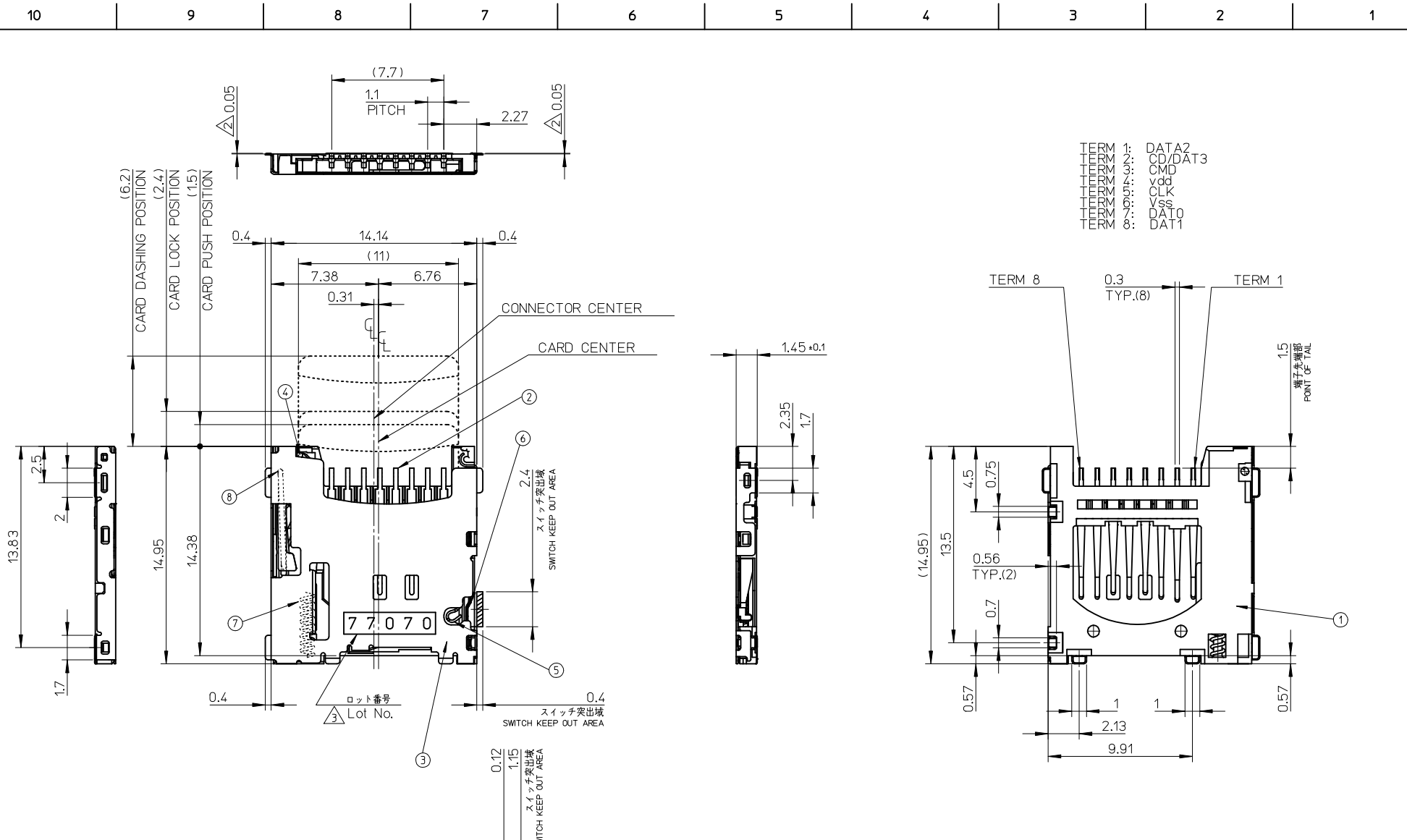
503182-0853	8
EMBOSSSED TAPE	極数
ORDER No. オーダー番号	CIRCUITS
CONNECTOR SERIES No. 503182-***43	

RELEASED EC NO: J2010-2578 DRWN: MTAKASAKI 2010/06/18 CHKD: MTOMITA 2010/06/18 APPR: NUKITA 2010/06/29 REV: 0	DESCRIPTION	GENERAL TOLERANCES (UNLESS SPECIFIED)	DIMENSION STYLE MM ONLY	SCALE ---	DESIGN UNITS METRIC	THIRD ANGLE PROJECTION
		10 UNDER ±0.2	DRAWN BY DATE MTAKASAKI 2010/06/18	TITLE	MICRO SD CONN. ULTRA LOW-PRO EMBOSSSED TAPE PACKAGE MOLEX INCORPORATED SD-503182-008 SHEET NO. 1 OF 2	
		10 OVER 30 UNDER ±0.25	CHECKED BY DATE MTOMITA 2010/06/18			
		30 OVER ±0.3	APPROVED BY DATE NUKITA 2010/06/28			
		ANGULAR ±1 °	MATERIAL NO.	DOCUMENT NO.		
	DRAFT WHERE APPLICABLE MUST REMAIN WITHIN DIMENSIONS	SEE CHART				



SECTION. X-X

SEE SHEET 1 OF 2 EC NO: J2010-2578 DRWN:MTAKASAKI 2010/06/18 CHKD:MTOMITA 2010/06/18 APPR:NUKITA 2010/06/29	GENERAL TOLERANCES (UNLESS SPECIFIED)		DIMENSION STYLE MM ONLY		SCALE 5:1	DESIGN UNITS METRIC	THIRD ANGLE PROJECTION	
	10 UNDER	±0.2	DRAWN BY MTAKASAKI	DATE 2010/06/18	TITLE MICRO SD CONN. ULTRA LOW-PRO EMBOSSED TAPE PACKAGE			
	10 OVER 30 UNDER	±0.25	CHECKED BY MTOMITA	DATE 2010/06/18	MOLEX INCORPORATED			
	30 OVER	±0.3	APPROVED BY NUKITA	DATE 2010/06/28	MATERIAL NO. SEE SHEET 1 OF 2	DOCUMENT NO. SD-503182-008	SHEET NO. 2 OF 2	
0	REV	ANGULAR ±1 ° DRAFT WHERE APPLICABLE MUST REMAIN WITHIN DIMENSIONS		THIS DRAWING CONTAINS INFORMATION THAT IS PROPRIETARY TO MOLEX INCORPORATED AND SHOULD NOT BE USED WITHOUT WRITTEN PERMISSION				



- TERM 1: DATA2
- TERM 2: CD/DAT3
- TERM 3: CMD
- TERM 4: vdd
- TERM 5: CLK
- TERM 6: VSS
- TERM 7: DAT0
- TERM 8: DAT1

503182-1853	8
EMBOSSSED TAPE	極数
ORDER No. オーダー番号	CIRCUITS
CONNECTOR SERIES No. 503182-**43	

REVISED EC No. J2013-1070 2013/03/27 DRWN: YGOTO CHKD: MTOMITA APPR: YO ITO 2013/03/28	GENERAL TOLERANCES (UNLESS SPECIFIED)		DIMENSION STYLE MM ONLY	SCALE 4:1	DESIGN UNITS METRIC	THIRD ANGLE PROJECTION
	10 UNDER	± 0.2	DRAWN BY YGOTO	DATE 2013/03/08	TITLE MICRO SD CONN. NORMAL ULTRA LOW-PROFILE ASSY	molex
10 OVER 30 UNDER	± 0.25	CHECKED BY MTOMITA	DATE 2013/03/08	MATERIAL NO. SEE CHART	DOCUMENT NO. SD-503182-015	
30 OVER	± 0.3	APPROVED BY YO ITO	DATE 2013/03/12	THIS DRAWING CONTAINS INFORMATION THAT IS PROPRIETARY TO MOLEX INCORPORATED AND SHOULD NOT BE USED WITHOUT WRITTEN PERMISSION		
ANGULAR	± 1 °	DRAFT WHERE APPLICABLE MUST REMAIN WITHIN DIMENSIONS				

