



Chipsmall Limited consists of a professional team with an average of over 10 year of expertise in the distribution of electronic components. Based in Hongkong, we have already established firm and mutual-benefit business relationships with customers from,Europe,America and south Asia,supplying obsolete and hard-to-find components to meet their specific needs.

With the principle of “Quality Parts,Customers Priority,Honest Operation,and Considerate Service”,our business mainly focus on the distribution of electronic components. Line cards we deal with include Microchip,ALPS,ROHM,Xilinx,Pulse,ON,Everlight and Freescale. Main products comprise IC,Modules,Potentiometer,IC Socket,Relay,Connector.Our parts cover such applications as commercial,industrial, and automotives areas.

We are looking forward to setting up business relationship with you and hope to provide you with the best service and solution. Let us make a better world for our industry!



Contact us

Tel: +86-755-8981 8866 Fax: +86-755-8427 6832

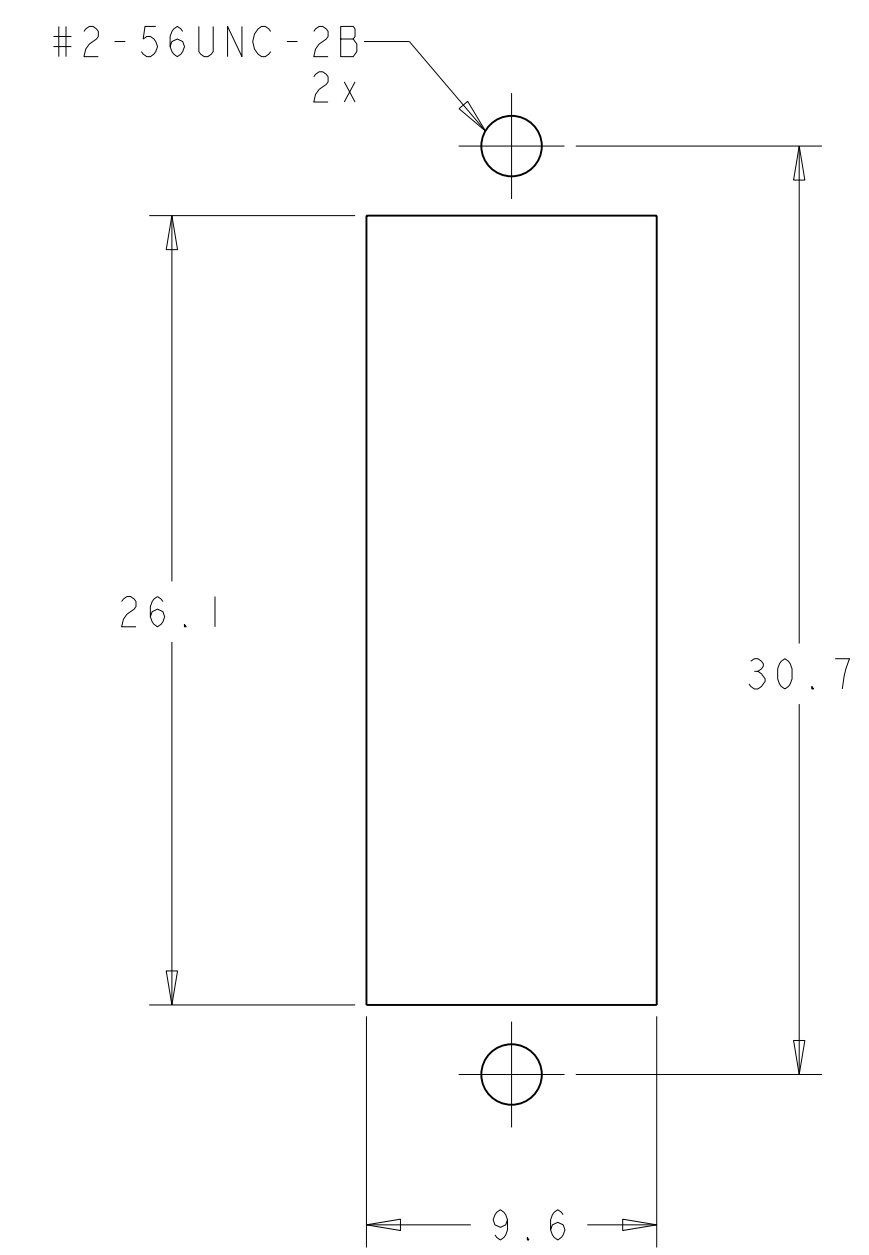
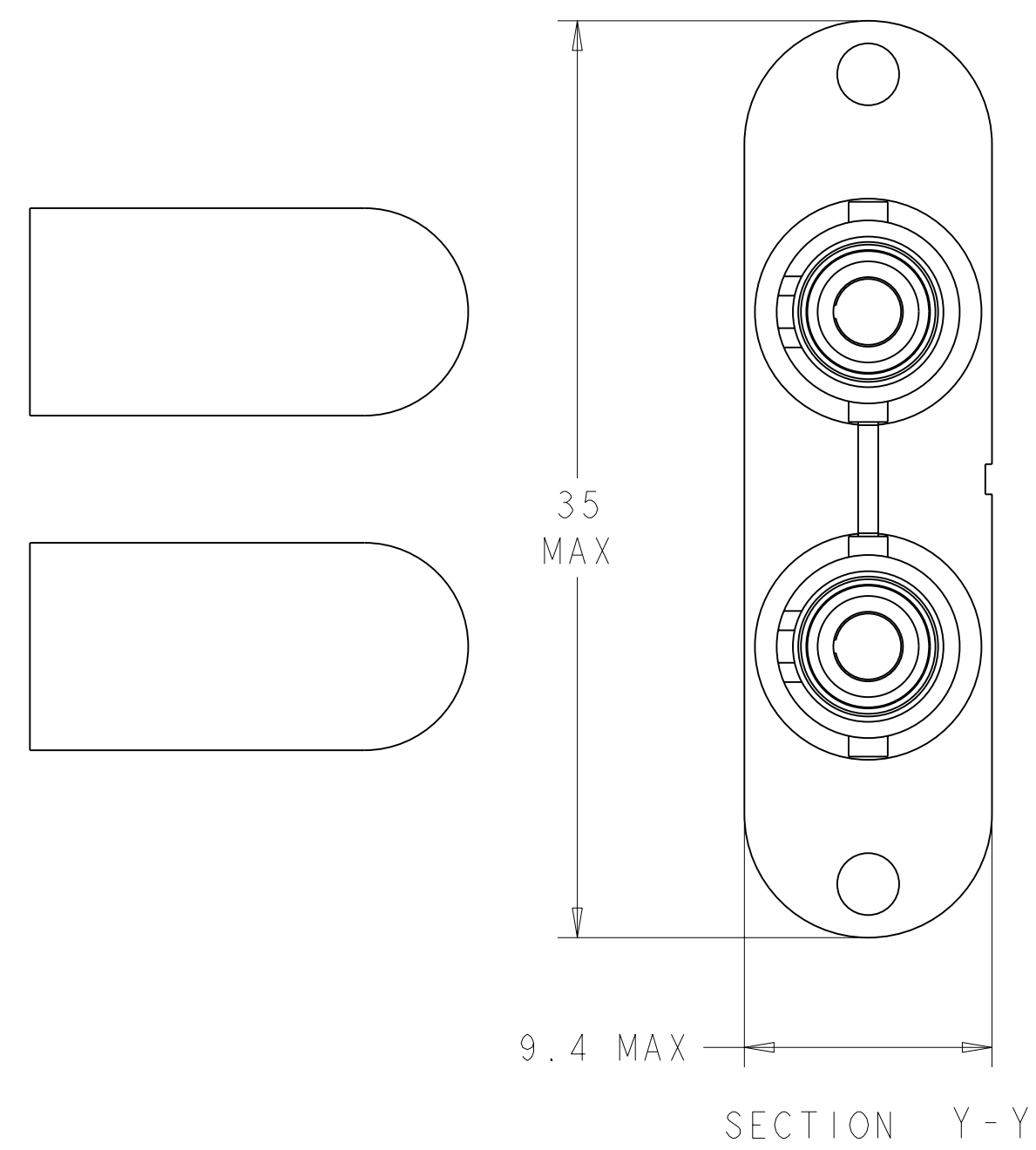
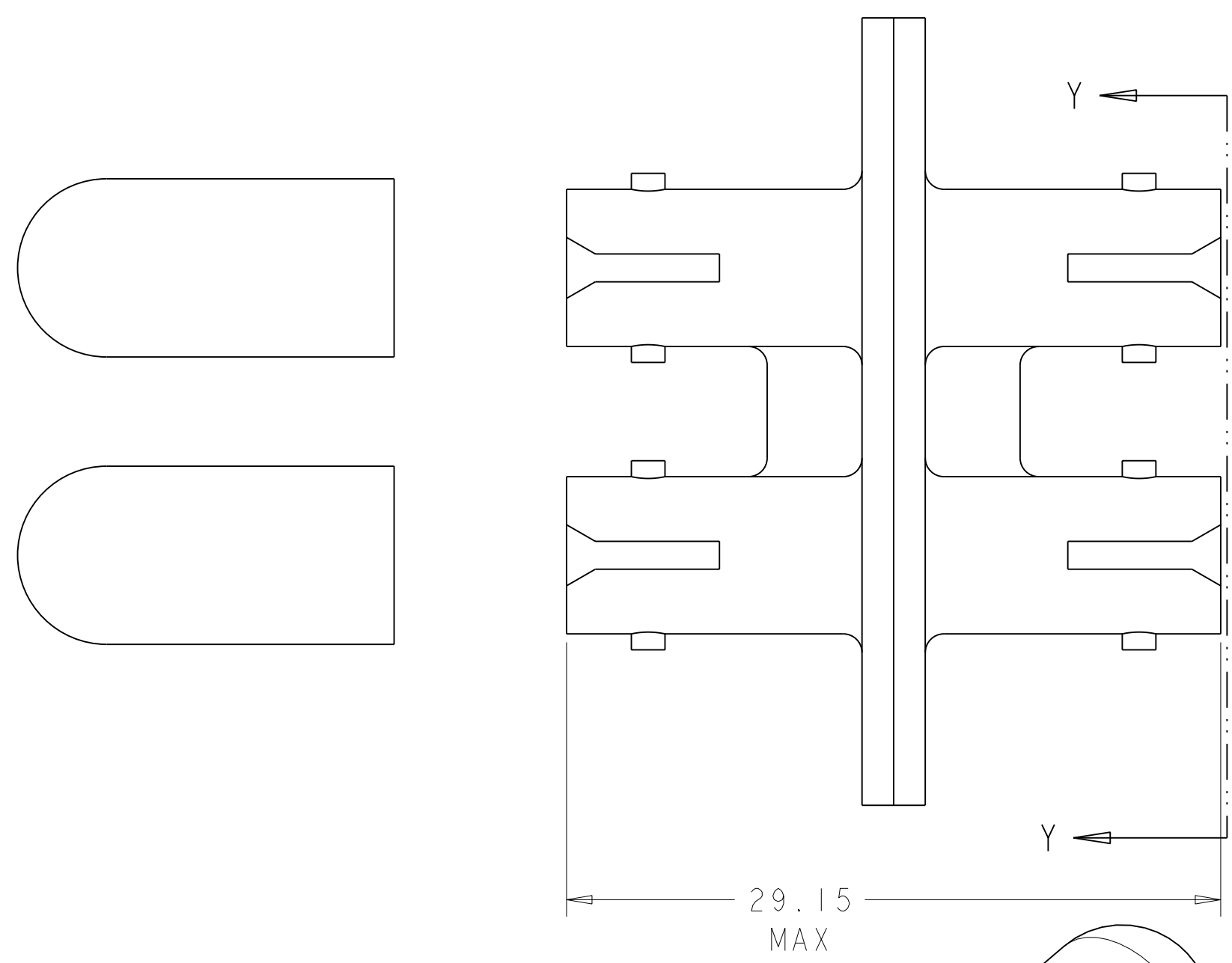
Email & Skype: info@chipsmall.com Web: www.chipsmall.com

Address: A1208, Overseas Decoration Building, #122 Zhenhua RD., Futian, Shenzhen, China



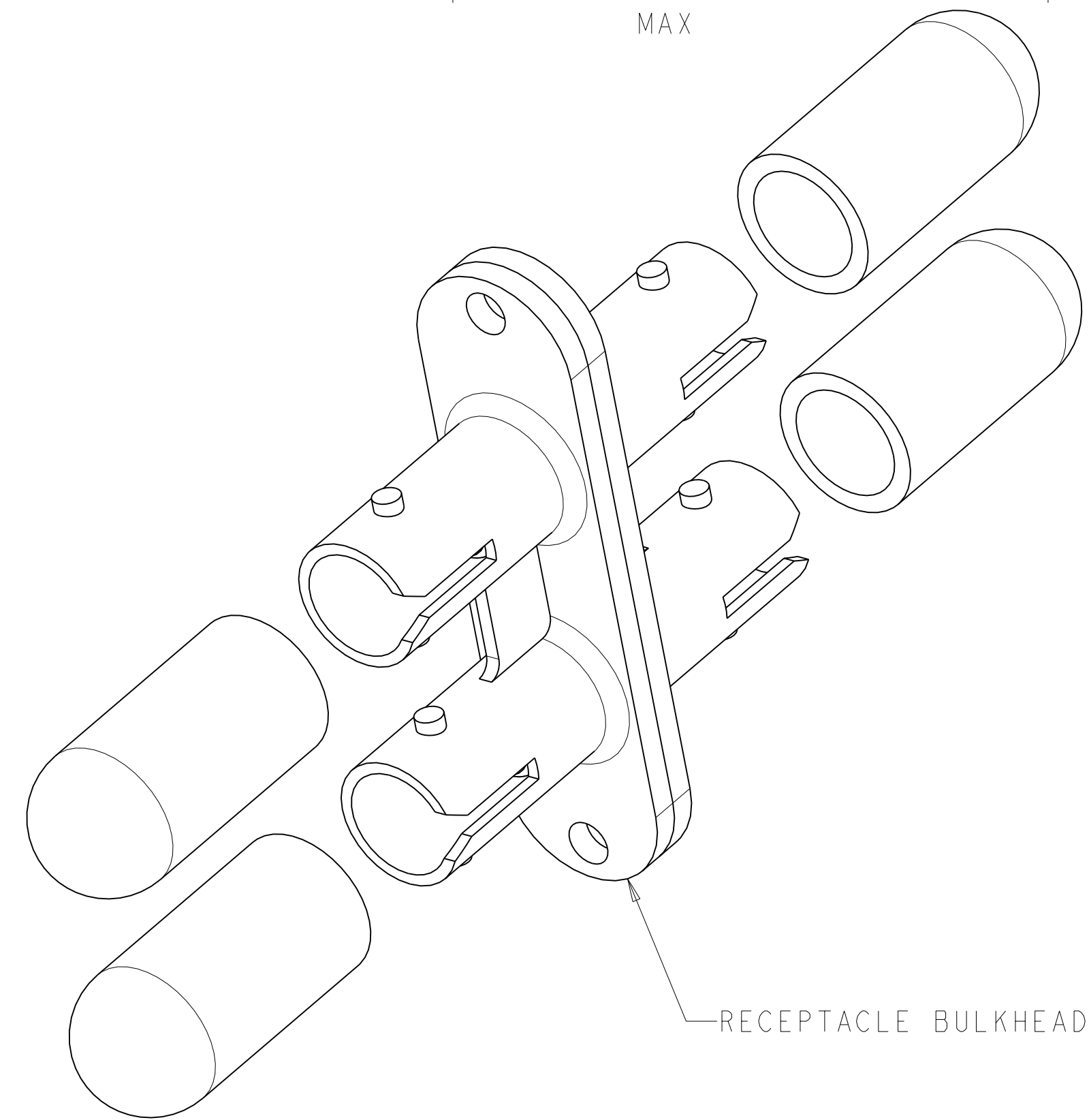
THIS DRAWING IS UNPUBLISHED. RELEASED FOR PUBLICATION 20
 © COPYRIGHT 20 BY TYCO ELECTRONICS CORPORATION. ALL RIGHTS RESERVED.

LOC		DIST		REVISIONS			
P	LTR	DESCRIPTION	DATE	DWN	APVD		
CE	00	C	REVISE PER ECR-05-013728	31OCT2005	BB	SB	



SUGGESTED PANEL CUTOUT
 MAXIMUM PANEL THICKNESS 1.7

⚠ MATERIAL:
 PROTECTIVE CAP: VINYL
 COUPLING RECEPTACLE:
 HOUSING: PPE AND PS, UL94 V-0 RATED AT QUALIFYING THICKNESS,
 SEE DASH NUMBER FOR COLOR.
 SLEEVE: SEE DASH NUMBER



RECEPTACLE BULKHEAD

COLOR	ALIGNMENT SLEEVE MAT'L	MATERIAL
BLUE	CERAMIC	503273-5
BLACK	CERAMIC	503273-4
BEIGE	METAL	503273-3
BLACK	METAL	503273-1

<small>THIS DRAWING IS A CONTROLLED DOCUMENT FOR TYCO ELECTRONICS CORPORATION. IT IS SUBJECT TO CHANGE AND THE CONTROLLING ENGINEERING ORGANIZATION SHOULD BE CONTACTED FOR THE LATEST REVISION.</small>		DWN B. BRIGGS 31OCT2005 CHK S. BUCHTER 31OCT2005 APVD S. BUCHTER 31OCT2005	tyco Tyco Electronics Electronics Harrisburg, PA 17105-3608
DIMENSIONS: mm	TOLERANCES UNLESS OTHERWISE SPECIFIED: 0 PLC ± 1 PLC ±0.1 2 PLC ± 3 PLC ± 4 PLC ± ANGLES ± FINISH	PRODUCT SPEC APPLICATION SPEC WEIGHT	NAME DUPLEX RECEPTACLE KIT, BULKHEAD, AMP ST-ST
MATERIAL ⚠	FINISH	CUSTOMER DRAWING	SIZE A2 CAGE CODE 00779 DRAWING NO C=503273 RESTRICTED TO
		SCALE 4:1	SHEET 1 OF 1 REV C