



Chipsmall Limited consists of a professional team with an average of over 10 year of expertise in the distribution of electronic components. Based in Hongkong, we have already established firm and mutual-benefit business relationships with customers from,Europe,America and south Asia,supplying obsolete and hard-to-find components to meet their specific needs.

With the principle of “Quality Parts,Customers Priority,Honest Operation,and Considerate Service”,our business mainly focus on the distribution of electronic components. Line cards we deal with include Microchip,ALPS,ROHM,Xilinx,Pulse,ON,Everlight and Freescale. Main products comprise IC,Modules,Potentiometer,IC Socket,Relay,Connector.Our parts cover such applications as commercial,industrial, and automotives areas.

We are looking forward to setting up business relationship with you and hope to provide you with the best service and solution. Let us make a better world for our industry!



Contact us

Tel: +86-755-8981 8866 Fax: +86-755-8427 6832

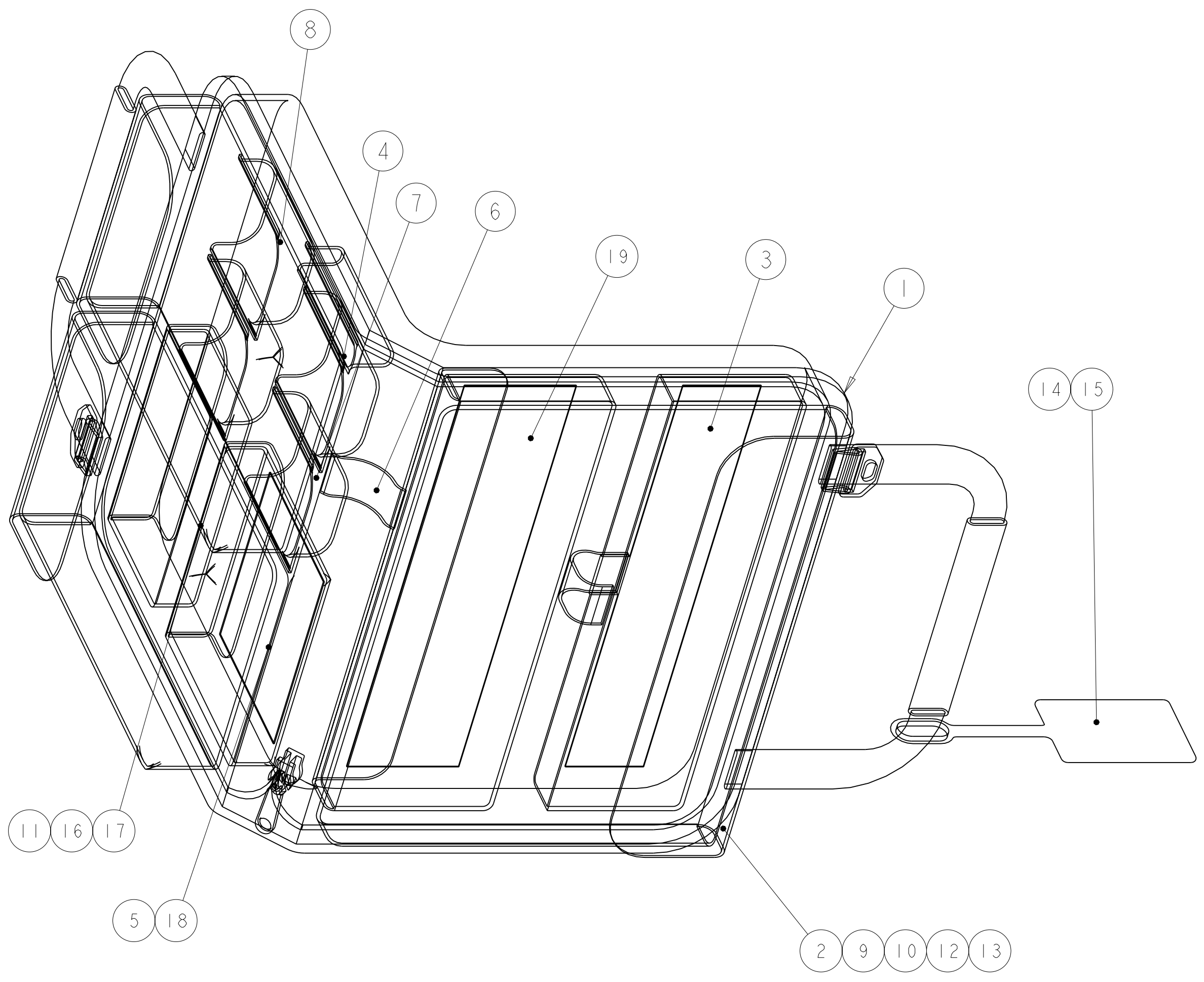
Email & Skype: info@chipsmall.com Web: www.chipsmall.com

Address: A1208, Overseas Decoration Building, #122 Zhenhua RD., Futian, Shenzhen, China



THIS DRAWING IS UNPUBLISHED. RELEASED FOR PUBLICATION
 © COPYRIGHT 19 BY TYCO ELECTRONICS CORPORATION. ALL RIGHTS RESERVED.

LOC	DIST	REVISIONS					
CE	00	P	LTR	DESCRIPTION	DATE	DWN	APVD
		Z		REVISE PER ECR-05-005983	01AUG2005	BB	DK



SUPERCEDED BY:
503330-3

1	1	-	MICROSCOPE W/10x OBJECTIVE	1754767-1	19
1	1	1	CABLE PREP TEMPLATE (XTC/NeXTC)	503574-1	18
1	1	1	POLISHING BUSHING, BEIGE PLASTIC	503304-2	17
1	1	1	POLISHING BUSHING, BLACK PLASTIC	503304-1	16
1	1	-	CASE LABEL	-	15
-	-	1	CASE LABEL	-	14
1	1	1	POLISH PAD (RECTANGULAR)	504584-1	13
1	1	1	POLISH PAD (CIRCULAR)	501523-1	12
1	1	1	POLISHING BUSHING, METAL	503337-1	11
10	10	10	LAPPING FILM, 5um	228433-8	10
10	10	10	LAPPING FILM, 0.3um	228433-5	9
1	1	1	MICRO STRIP TOOL, (.008)	492109-2	8
1	1	1	COMBINATION STRIP TOOL	1278947-1	7
1	1	1	SCISSORS	501014-1	6
1	1	1	UNIVERSAL CLEAVE TOOL	503705-1	5
1	1	1	CABLE STRIPPER	1278531-1	4
1	1	1	HAND TOOL, W/DIESET (XTC/NeXTC)	492623-1	3
1	1	1	POLISH PLATE	501197-1	2
1	1	1	PREMIUM SOFTCASE	-	1
-3	-2	-1	DESCRIPTION	PART NUMBER	ITEM

<small>THIS DRAWING IS A CONTROLLED DOCUMENT FOR TYCO ELECTRONICS CORPORATION IT IS SUBJECT TO CHANGE AND THE CONTROLLING ENGINEERING ORGANIZATION SHOULD BE CONTACTED FOR THE LATEST REVISION.</small>		DWN B. BRIGGS 01AUG2005 CHR D. KIRSCH 01AUG2005 APVD S. BUCHTER 01AUG2005	AMP AMP Incorporated Harrisburg, PA 17105-3608
DIMENSIONS: mm	TOLERANCES UNLESS OTHERWISE SPECIFIED: 0 PLC ± 1 PLC ± 2 PLC ± 3 PLC ± 4 PLC ± ANGLES ± FINISH -	PRODUCT SPEC - APPLICATION SPEC - WEIGHT -	NAME TERMINATION KIT, LightCrimp XTC
MATERIAL -		SIZE A2 CAGE CODE 00779 DRAWING NO C=503330 SCALE 1:2 SHEET 1 OF 1 REV Z	RESTRICTED TO -
CUSTOMER DRAWING			