



Chipsmall Limited consists of a professional team with an average of over 10 year of expertise in the distribution of electronic components. Based in Hongkong, we have already established firm and mutual-benefit business relationships with customers from,Europe,America and south Asia,supplying obsolete and hard-to-find components to meet their specific needs.

With the principle of “Quality Parts,Customers Priority,Honest Operation,and Considerate Service”,our business mainly focus on the distribution of electronic components. Line cards we deal with include Microchip,ALPS,ROHM,Xilinx,Pulse,ON,Everlight and Freescale. Main products comprise IC,Modules,Potentiometer,IC Socket,Relay,Connector.Our parts cover such applications as commercial,industrial, and automotives areas.

We are looking forward to setting up business relationship with you and hope to provide you with the best service and solution. Let us make a better world for our industry!



Contact us

Tel: +86-755-8981 8866 Fax: +86-755-8427 6832

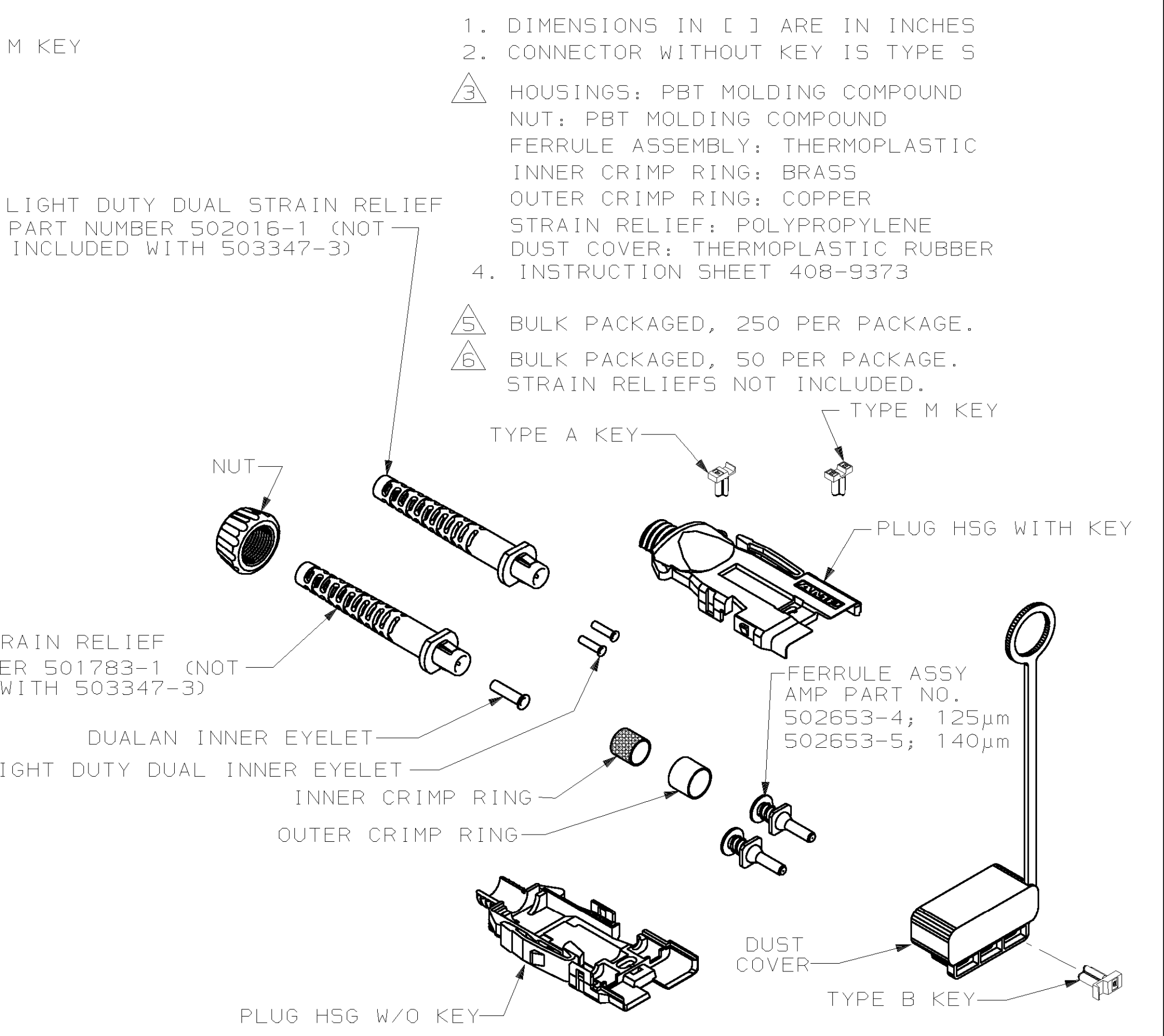
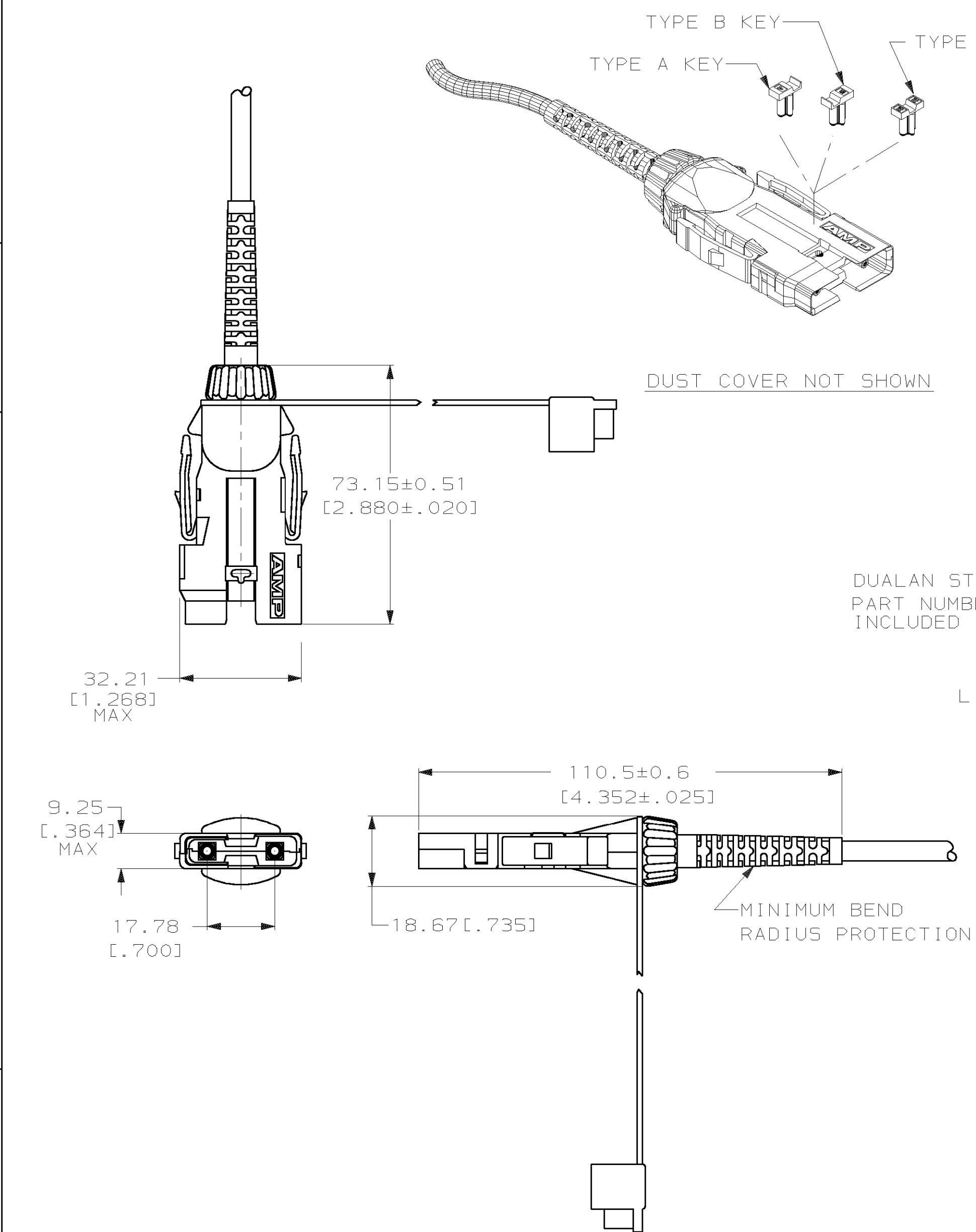
Email & Skype: info@chipsmall.com Web: www.chipsmall.com

Address: A1208, Overseas Decoration Building, #122 Zhenhua RD., Futian, Shenzhen, China



THIS DRAWING IS UNPUBLISHED. RELEASED FOR PUBLICATION ,19 .
 © COPYRIGHT 19 BY AMP INCORPORATED, HARRISBURG, PA. ALL INTERNATIONAL RIGHTS RESERVED. AMP PRODUCTS MAY BE COVERED BY U.S. AND FOREIGN PATENTS AND/OR PATENTS PENDING.

LOC		DIST		P		F		ZONE		LTR		REVISIONS			
CE	16											DESCRIPTION	DATE	APPROVED	
												C	REVISED PER 0A00-0123-00	16JAN2001	TA/SB



- DIMENSIONS IN [] ARE IN INCHES
 - CONNECTOR WITHOUT KEY IS TYPE S
 - HOUSINGS: PBT MOLDING COMPOUND
 NUT: PBT MOLDING COMPOUND
 FERRULE ASSEMBLY: THERMOPLASTIC
 INNER CRIMP RING: BRASS
 OUTER CRIMP RING: COPPER
 STRAIN RELIEF: POLYPROPYLENE
 DUST COVER: THERMOPLASTIC RUBBER
 - INSTRUCTION SHEET 408-9373
- 5 BULK PACKAGED, 250 PER PACKAGE.
 6 BULK PACKAGED, 50 PER PACKAGE.
 STRAIN RELIEFS NOT INCLUDED.

OBSOLETE	5	LIGHT DUTY DUAL 125µm	503347-7
		LIGHT DUTY DUAL 140µm	503347-6
		LIGHT DUTY DUAL 125µm	503347-5
OBSOLETE	5	DUALAN 125µm	503347-4
	6	125µm	503347-3
		DUALAN 140µm	503347-2
		DUALAN 125µm	503347-1

UNLESS OTHERWISE SPECIFIED DIMENSIONS ARE IN mm TOLERANCES ON :		DR 8-26-93 B.BRIGGS		DESCRIPTION FIBER SIZE		PART NUMBER	
2 PL DEC ±0.13 [.005]		CHK 8-27-93 B.BRIGGS		AMP INCORPORATED Harrisburg, Pa. 17105		NAME CONNECTOR KIT, MULTIMODE POLYMER FERRULE, AMP FSD	
3 PL DEC ± -		APPD 8-27-93 G.LIVINGSTON					
ANGLES ± -		APPD 8-27-93 D.FISHER		SIZE	F5CM NO	DRAWING NO	
MATERIAL	3	PRODUCT SPEC		C	00779	503347	
FINISH	-	APPLICATION SPEC		SCALE	1:1		SHEET 1 OF 1
		WEIGHT					

METRIC