



Chipsmall Limited consists of a professional team with an average of over 10 year of expertise in the distribution of electronic components. Based in Hongkong, we have already established firm and mutual-benefit business relationships with customers from,Europe,America and south Asia,supplying obsolete and hard-to-find components to meet their specific needs.

With the principle of “Quality Parts,Customers Priority,Honest Operation,and Considerate Service”,our business mainly focus on the distribution of electronic components. Line cards we deal with include Microchip,ALPS,ROHM,Xilinx,Pulse,ON,Everlight and Freescale. Main products comprise IC,Modules,Potentiometer,IC Socket,Relay,Connector.Our parts cover such applications as commercial,industrial, and automotives areas.

We are looking forward to setting up business relationship with you and hope to provide you with the best service and solution. Let us make a better world for our industry!



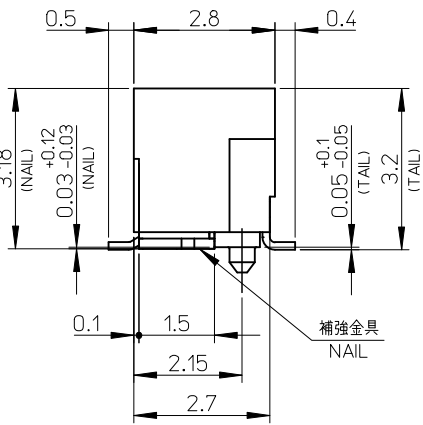
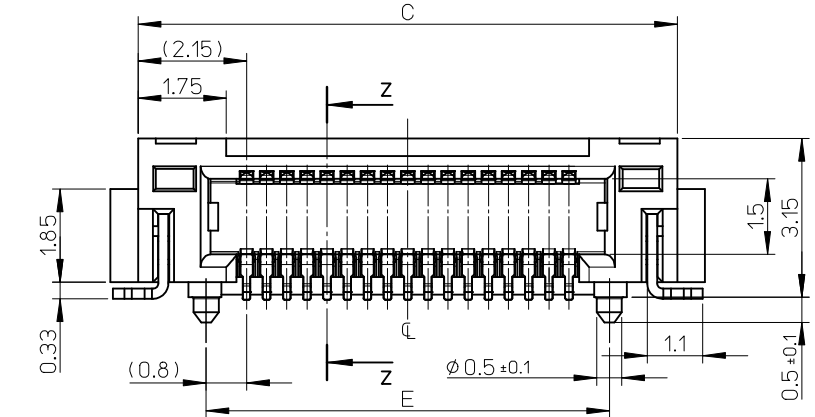
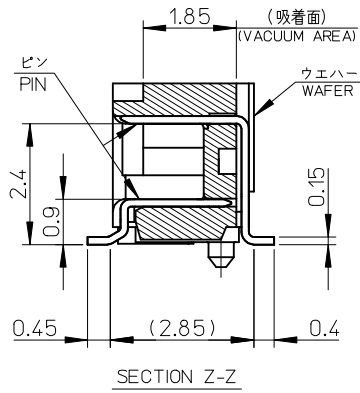
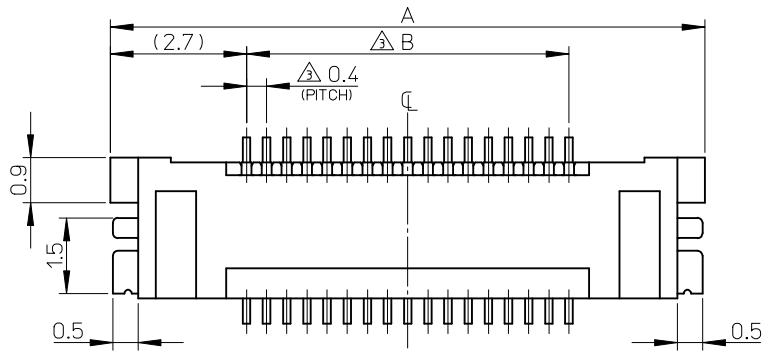
Contact us

Tel: +86-755-8981 8866 Fax: +86-755-8427 6832

Email & Skype: info@chipsmall.com Web: www.chipsmall.com

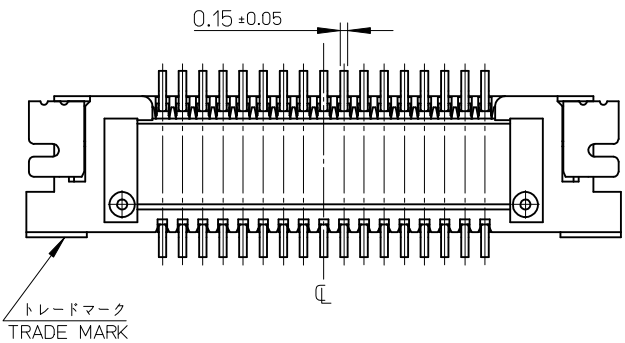
Address: A1208, Overseas Decoration Building, #122 Zhenhua RD., Futian, Shenzhen, China





注記 NOTES

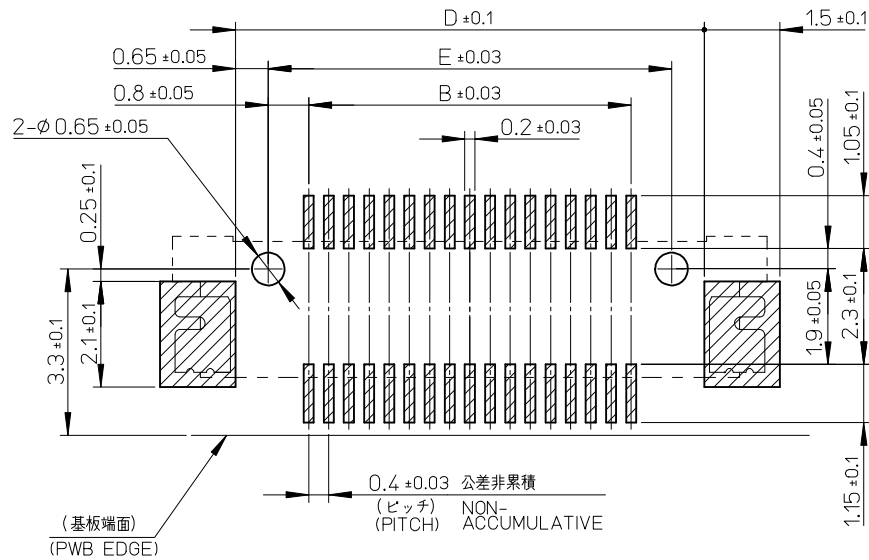
1. 使用材料 MATERIAL
 ウェハー: 液晶ポリマー ガラス充填 UL94V-0 黒色
 WAFER: LIQUID CRYSTAL POLYMER, GLASS FILLED, UL94V-0, COLOR BLACK
 ピン: リン青銅
 PIN: PHOSPHOR BRONZE
 補強金具: リン青銅
 FITTING NAIL: PHOSPHOR BRONZE
2. メッキ仕様 PLATING
 ピン PIN
 コントクト部: 部分金めっき (0.25 μm以上)
 テール部: 部分金めっき
 下地: ニッケルめっき (1.5 μm以上)
 CONTACT AREA: SEPARATED GOLD PLATING (0.25 MICROMETER MINIMUM)
 SOLDER TAIL AREA: SEPARATED GOLD PLATING
 UNDERPLATE: NICKEL OVERALL (1.5 MICROMETER MINIMUM)
- 補強金具 FITTING NAIL
 錫めっき (1.0 μm以上)
 下地: ニッケルめっき (1.0 μm以上)
 TIN PLATING (1.0 MICROMETER MINIMUM)
 UNDERPLATE: NICKEL OVERALL (1.0 MICROMETER MINIMUM)
- △ テール部に適用。
 APPLY TO THE TAIL AREA.
4. 嵌合相手: 54552 シリーズ
 MATE WITH: 54552 SERIES.
5. テール平坦度は、0.08 以下
 テール及び金具の平坦度は、0.1 以下
 TAIL COPLANARITY TO BE 0.08 MAXIMUM
 TAIL AND FITTING NAIL COPLANARITY TO BE 0.1 MAXIMUM
6. ELV 及び RoHS 適合品
 ELV AND RoHS COMPLIANT



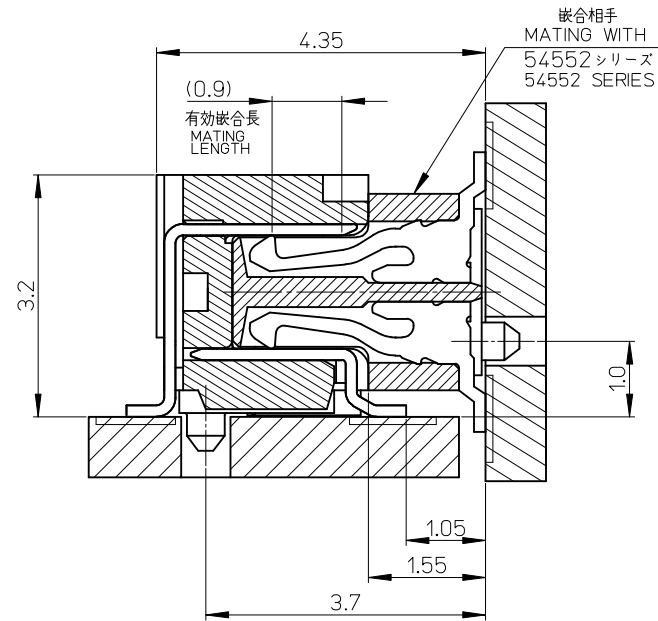
9.2	10.5	11.9	7.6	13.0	503376-4010	40
8.0	9.3	10.7	6.4	11.8	503376-3410	34
7.2	8.5	9.9	5.6	11.0	503376-3010	30
E	D	C	B	A	EMBOSSED PACKAGE オーダー番号 ORDER No.	極数 CIRCUITS

CONNECTOR SERIES No. : 503376-**19

REVISED EC NO: J2010-0351 DRWN: TOSHIMA 2009/09/04 CHKD: SMARUYAMA 2009/09/04 APPR: MSASAO 2009/09/04	GENERAL TOLERANCES (UNLESS SPECIFIED)		DIMENSION STYLE MM ONLY		SCALE 10:1	DESIGN UNITS METRIC	THIRD ANGLE PROJECTION
	10 UNDER	±0.2	DRAWN BY M. TAKASAKI	DATE 2009/06/03	TITLE 0.4 B-TO-B CONN. RA PLUG NAIL ASSY (WITH BOSS)		
	10 OVER 30 UNDER	±0.25	CHECKED BY M. HAYASHI	DATE 2009/06/03	MOLEX INCORPORATED		
	30 OVER	±0.3	APPROVED BY N. UKITA	DATE 2009/06/03	DOCUMENT NO. SD-503376-001		
A	ANGULAR ±3 °	DRAFT WHERE APPLICABLE MUST REMAIN WITHIN DIMENSIONS		SEE CHART		SHEET NO. 1 OF 2	
THIS DRAWING CONTAINS INFORMATION THAT IS PROPRIETARY TO MOLEX INCORPORATED AND SHOULD NOT BE USED WITHOUT WRITTEN PERMISSION							



推奨基板レイアウト(マウント面)
 RECOMMENDED P.W.BOARD
 PATTERN DIMENSION. (REFERENCE)
 (MOUNTING AREA)



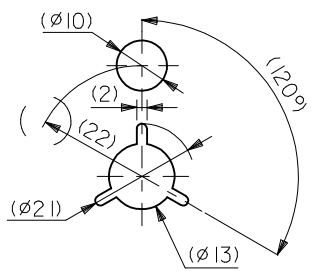
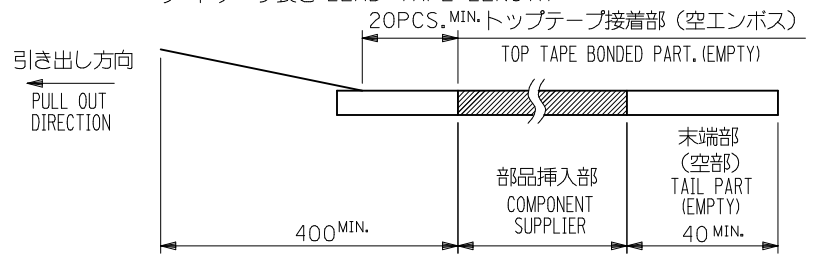
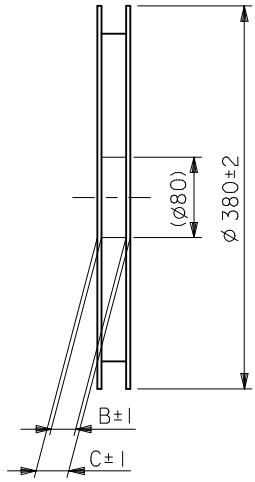
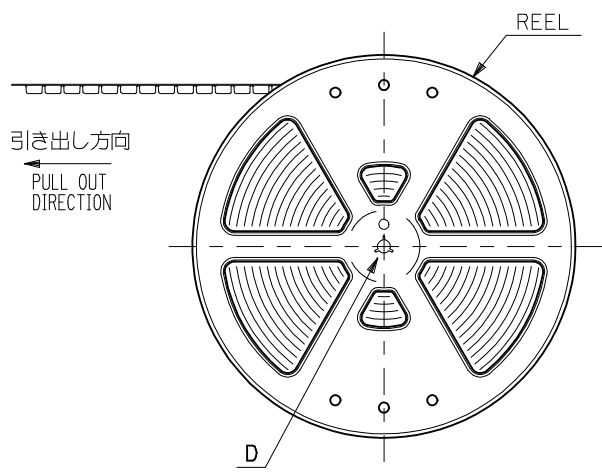
嵌合断面 及び ボス位置 (参考)
 MATED AND BOSS POSITION
 DRAWING(REFERENCE)

CONNECTOR SERIES No. : 503376-**19

REVISED EC NO: J2010-0351 DRWN:TOSHIMA 2009/09/04 CHKD:SMARUYAMA 2009/09/04 APPR:MSASAO 2009/09/04 A	GENERAL TOLERANCES (UNLESS SPECIFIED)		DIMENSION STYLE MM ONLY		SCALE 15:1	DESIGN UNITS METRIC	THIRD ANGLE PROJECTION
	10 UNDER	±0.2	DRAWN BY M. TAKASAKI	DATE 2009/06/03	TITLE 0.4 B-TO-B CONN. RA PLUG NAIL ASSY (WITH BOSS)		
	10 OVER 30 UNDER	±0.25	CHECKED BY M. HAYASHI	DATE 2009/06/03			
	30 OVER	±0.3	APPROVED BY N. UKITA	DATE 2009/06/03	MOLEX INCORPORATED		
	ANGULAR ±3 °		MATERIAL NO.	DOCUMENT NO.			
DRAFT WHERE APPLICABLE MUST REMAIN WITHIN DIMENSIONS		SEE CHART		SD-503376-001			

NOTES

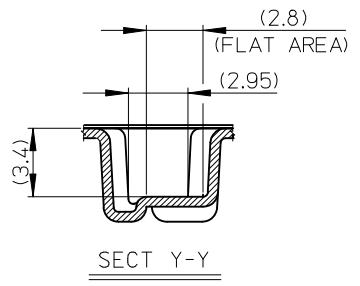
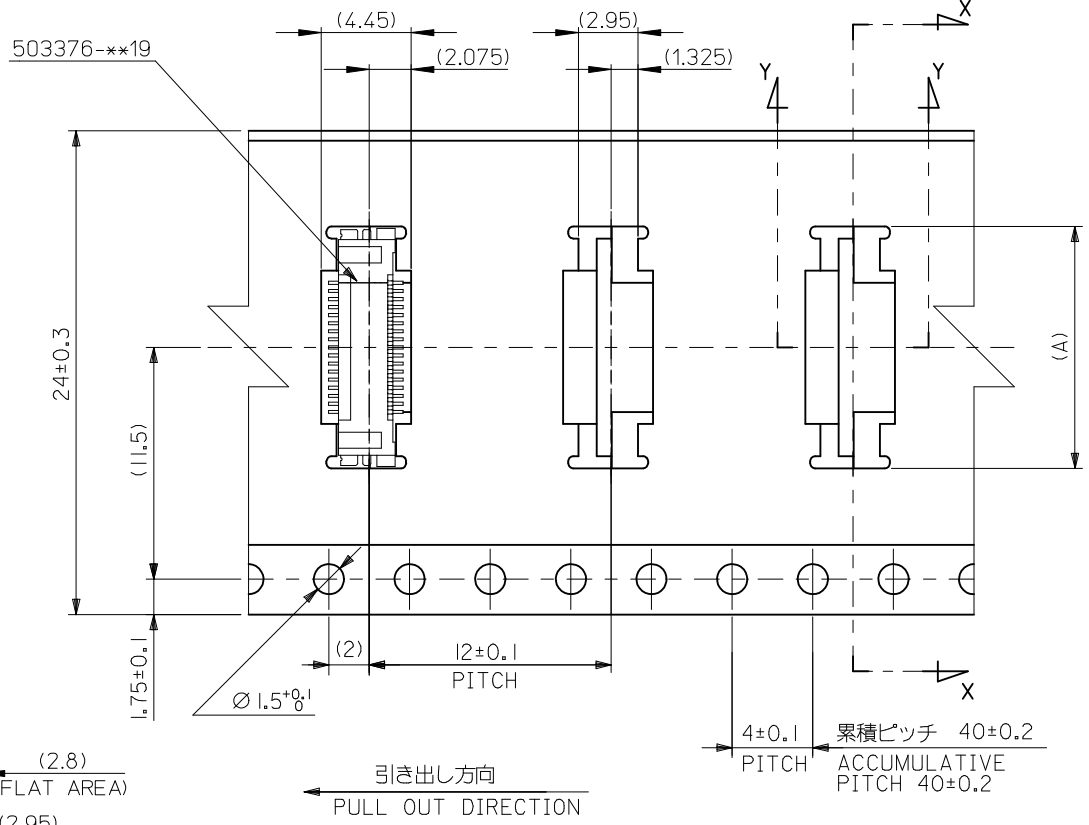
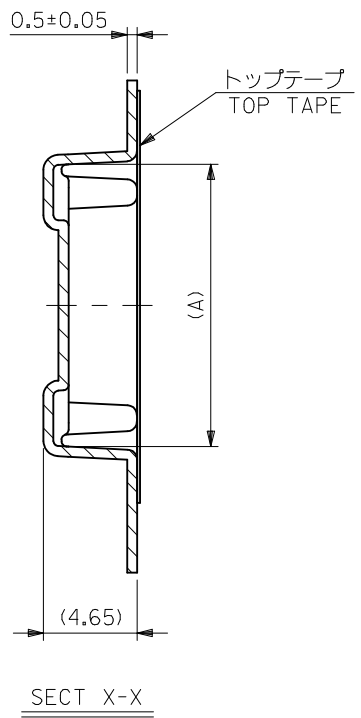
- 製品詳細寸法については SD-503376-001 を参照ください。
RE DETAILED DIMENSION, SEE SD-503376-001
- 梱包数量：1500個/リール
NUMBER OF CONNECTORS : 1500PCS/REEL
- リードテープ長さ LEAD TAPE LENGTH
20PCS. MIN. トップテープ接着部 (空エンボス)
TOP TAPE BONDED PART. (EMPTY)
部品挿入部 COMPONENT SUPPLIER
末端部 (空) TAIL PART (EMPTY)
400 MIN. 40 MIN.
- 材料 (MATERIAL)
キャリアテープ (CARRIER TAPE) : ポリプロピレン (POLYPROPYLENE)
トップテープ (TOPTAPE) : PET, PE, PEF
リール (REEL) : ポリスチレン (PS) (リサイクル材を含む)
POLYSTYRENE (PS) <RECYCLE MATERIAL CONTAINED>
- ELV 及び RoHS適合品
ELV AND RoHS COMPLIANT.



DETAIL D

503376-4010	40
503376-3410	34
503376-3010	30
MATERIAL NO.	極数 CIRCUITS

REVISED EC NO: J2010-0351 DRWN: TOSHIMA 2009/09/04 CHKD: SMARUYAMA 2009/09/04 APPR: MSASAO 2009/09/04 REV A	GENERAL TOLERANCES (UNLESS SPECIFIED)		DIMENSION STYLE MM ONLY		SCALE ---		DESIGN UNITS METRIC		THIRD ANGLE PROJECTION	
	10 UNDER	±0.2	DRAWN BY	DATE	TITLE					
	10 OVER 30 UNDER	±0.25	M. TAKASAKI	2009/06/03	EMBSTP PKG FOR 0.4 B/B CONN. RA PLUG NAIL ASSY					
	30 OVER	±0.3	CHECKED BY	DATE	MOLEX INCORPORATED					
	ANGULAR	±3 °	M. HAYASHI	2009/06/03	MATERIAL NO.		DOCUMENT NO.		SHEET NO.	
DRAFT WHERE APPLICABLE MUST REMAIN WITHIN DIMENSIONS		APPROVED BY N. UKITA 2009/06/03		SEE CHART		SD-503376-002		1 OF 2		
THIS DRAWING CONTAINS INFORMATION THAT IS PROPRIETARY TO MOLEX INCORPORATED AND SHOULD NOT BE USED WITHOUT WRITTEN PERMISSION										



24mm幅キャリアテープ
24mm WIDTH CARRIER TAPE

24	29.4	25.4	13.2	503376-4010	40
			12.0	503376-3410	34
			11.2	503376-3010	30
キャリアテープ幅 CARRIER TAPE WIDTH	C	B	(A)	MATERIAL NO.	極数 CIRCUITS

REVISED EC NO: J2010-0351 DRWN: TOSHIMA 2009/09/04 CHKD: SMARUYAMA 2009/09/04 APPR: MSASAO 2009/09/04	GENERAL TOLERANCES (UNLESS SPECIFIED)		DIMENSION STYLE MM ONLY		SCALE ---	MODEL NO. 503376-**10
	10 UNDER	±0.2	DRAWN BY M. TAKASAKI	DATE 2009/06/03	DESIGN UNITS METRIC	
	10 OVER 30 UNDER	±0.25	CHECKED BY M. HAYASHI	DATE 2009/06/03	THIRD ANGLE PROJECTION	
	30 OVER	±0.3	APPROVED BY N. UKITA	DATE 2009/06/03	TITLE EMBSTP PKG FOR 0.4 B/B CONN. RA PLUG NAIL ASSY	
	ANGULAR ±3 °	DRAFT WHERE APPLICABLE MUST REMAIN WITHIN DIMENSIONS		MATERIAL NO. SEE CHART	DOCUMENT NO. SD-503376-002	SHEET NO. 2 OF 2
A	THIS DRAWING CONTAINS INFORMATION THAT IS PROPRIETARY TO MOLEX INCORPORATED AND SHOULD NOT BE USED WITHOUT WRITTEN PERMISSION					