



Chipsmall Limited consists of a professional team with an average of over 10 year of expertise in the distribution of electronic components. Based in Hongkong, we have already established firm and mutual-benefit business relationships with customers from,Europe,America and south Asia,supplying obsolete and hard-to-find components to meet their specific needs.

With the principle of “Quality Parts,Customers Priority,Honest Operation,and Considerate Service”,our business mainly focus on the distribution of electronic components. Line cards we deal with include Microchip,ALPS,ROHM,Xilinx,Pulse,ON,Everlight and Freescale. Main products comprise IC,Modules,Potentiometer,IC Socket,Relay,Connector.Our parts cover such applications as commercial,industrial, and automotives areas.

We are looking forward to setting up business relationship with you and hope to provide you with the best service and solution. Let us make a better world for our industry!



## Contact us

Tel: +86-755-8981 8866 Fax: +86-755-8427 6832

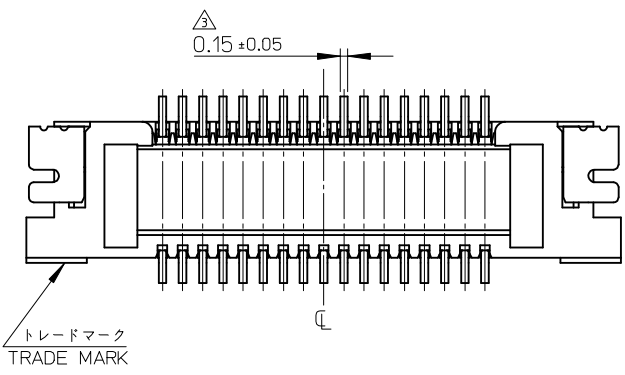
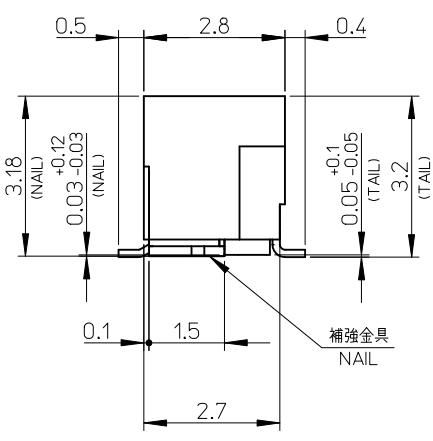
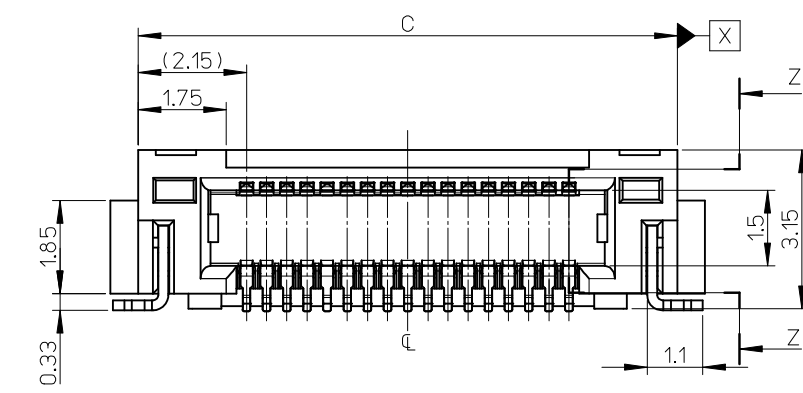
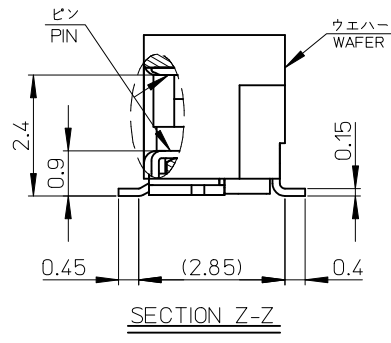
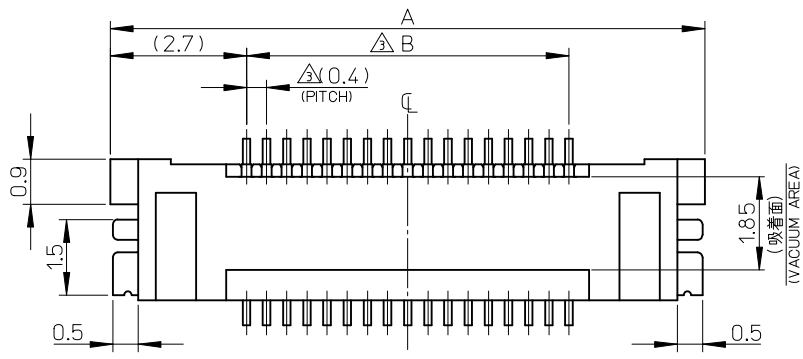
Email & Skype: info@chipsmall.com Web: www.chipsmall.com

Address: A1208, Overseas Decoration Building, #122 Zhenhua RD., Futian, Shenzhen, China



注記 NOTES

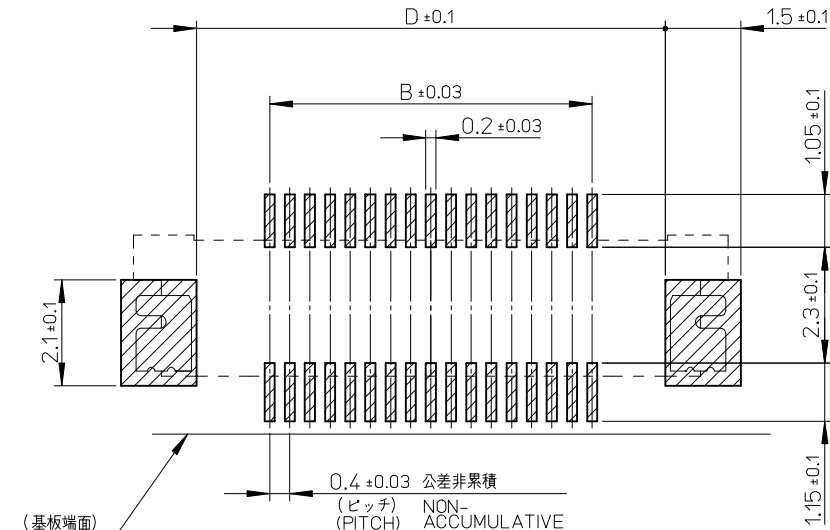
1. 使用材料 MATERIAL  
 ウエハー: 液晶ポリマー ガラス充填 UL94V-0 黒色  
 WAFER: LIQUID CRYSTAL POLYMER, GLASS FILLED,  
 UL94V-0, COLOR BLACK  
 ピン: リン青銅 (t=0.15)  
 PIN: PHOSPHOR BRONZE (t=0.15)  
 補強金具: リン青銅 (t=0.2)  
 FITTING NAIL: PHOSPHOR BRONZE (t=0.2)
2. メッキ仕様 PLATING  
 ピン PIN  
 金メッキ  
 (コンタクト部とテール部)  
 GOLD PLATING  
 (CONTACT AND TAIL AREA)  
 下地メッキ: ニッケルメッキ 1.5µm 以上  
 UNDER PLATING: NICKEL 1.5 MICROMETER MINIMUM.  
 補強金具 FITTING NAIL  
 錫メッキ 1.0µm 以上  
 TIN PLATING 1.0 MICROMETER MINIMUM.  
 下地メッキ: ニッケルメッキ 1.0µm 以上  
 UNDER PLATING: NICKEL 1.0 MICROMETER MINIMUM.
- △ テール部に適用。  
 APPLY TO THE TAIL AREA.
4. 嵌合相手: 54552 シリーズ  
 MATE WITH: 54552 SERIES.
5. テール平坦度は、0.08 以下  
 テール及び金具の平坦度は、0.1 以下  
 TAIL COPLANARITY TO BE 0.08 MAXIMUM  
 TAIL AND FITTING NAIL COPLANARITY TO BE 0.1 MAXIMUM
6. ELV 及び RoHS 適合品  
 ELV AND RoHS COMPLIANT
7. 本製品は 503376-\*\*19 のホス無し品である。  
 THIS PRODUCT IS NON-BOSS VERSION OF 503376-\*\*19.



12.5	13.9	9.6	15	503376-5020	50
D	C	B	A	EMBOSSED TAPE PKG.	極数
				ORDER No. オーダー番号	CIRCUITS

CONNECTOR SERIES No. : 503376-\*\*29

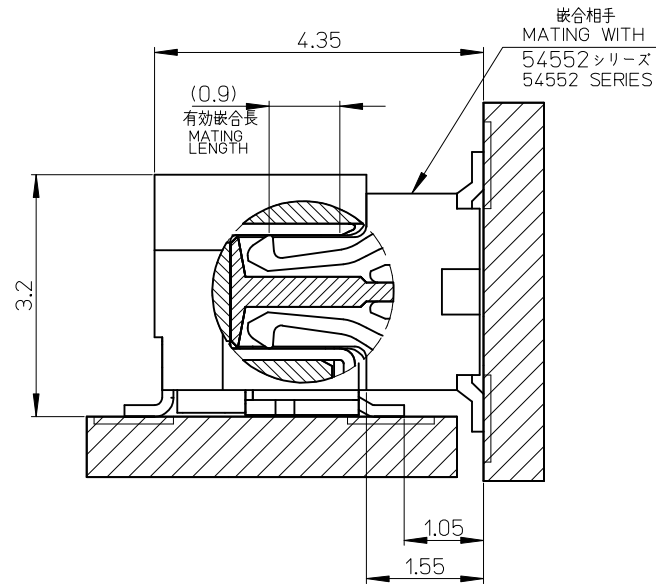
RELEASED EC NO.: J2013-0242 DRWG: GMATSUNO 2012/08/31 CHKD: TASAKAWA 2012/08/31 APPR: TASAKAWA 2012/08/31	GENERAL TOLERANCES (UNLESS SPECIFIED)		DIMENSION STYLE		SCALE	DESIGN UNITS	THIRD ANGLE PROJECTION 0.4 B-TO-B CONN. RA PLUG NAIL ASSY (WITHOUT BOSS) <b>molex</b> SD-503376-003 SHEET NO. 1 OF 2
			MM ONLY		---	METRIC	
	10 UNDER	±0.2	DRAWN BY	DATE	TITLE		
	10 OVER 30 UNDER	±0.25	GMATSUNO	2012/08/27	0.4 B-TO-B CONN. RA PLUG NAIL ASSY (WITHOUT BOSS)		
	30 OVER	±0.3	TASAKAWA	2012/08/27	SEE CHART		
ANGULAR	±3 °	APPROVED BY	DATE	MATERIAL NO.	DOCUMENT NO.	SHEET NO.	
	DRAFT WHERE APPLICABLE MUST REMAIN WITHIN DIMENSIONS	TASAKAWA	2012/08/31	SEE CHART	SD-503376-003	1 OF 2	
		SIZE	THIS DRAWING CONTAINS INFORMATION THAT IS PROPRIETARY TO MOLEX INCORPORATED AND SHOULD NOT BE USED WITHOUT WRITTEN PERMISSION				
		A3					



(基板端面)  
(PWB EDGE)

推奨基板レイアウト(マウント面)

RECOMMENDED P.W.BOARD  
PATTERN DIMENSION. (REFERENCE)  
(MOUNTING AREA)



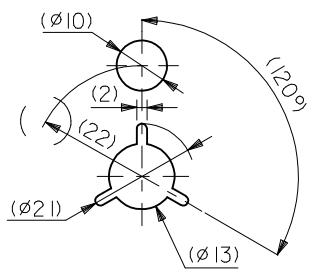
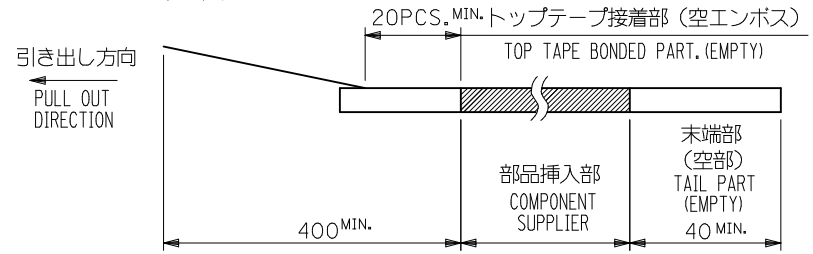
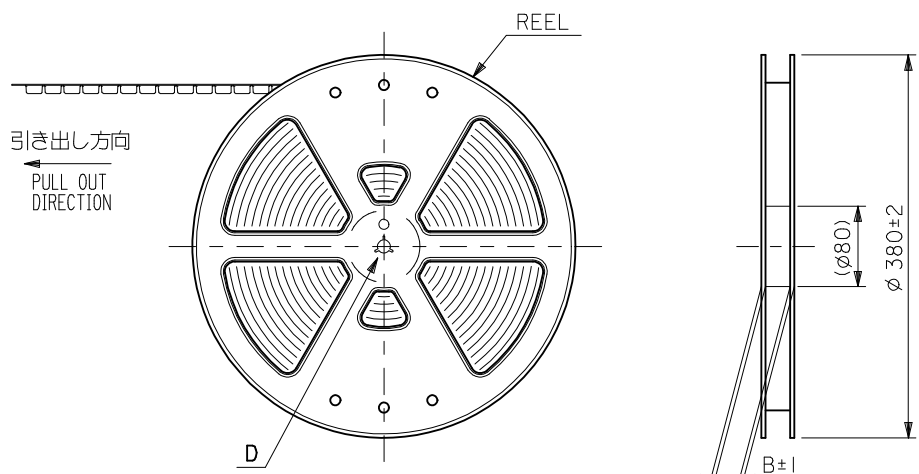
嵌合断面 (参考)

MATED DRAWING(REFERENCE)

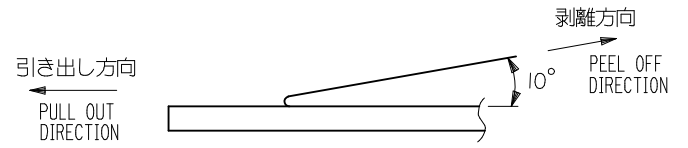
RELEASED EC NO: J2013-0242 DRWG: GMATSUNO 2012/08/31 CHKD: TASAKAWA 2012/08/31 APPR: TASAKAWA 2012/08/31	DESCRIPTION REV: 0	GENERAL TOLERANCES (UNLESS SPECIFIED)		DIMENSION STYLE MM ONLY		CONNECTOR SERIES No.	503376-**29			
		10 UNDER	± 0.2	DRAWN BY	DATE	SCALE	DESIGN UNITS	THIRD ANGLE PROJECTION		
		10 OVER 30 UNDER	± 0.25	TASAKAWA	2012/08/27	---	METRIC	TITLE 0.4 B-TO-B CONN. RA PLUG NAIL ASSY (WITHOUT BOSS)		
		30 OVER	± 0.3	TASAKAWA	2012/08/27	DOCUMENT NO. SD-503376-003				
ANGULAR ± 3 °		DRAFT WHERE APPLICABLE MUST REMAIN WITHIN DIMENSIONS		MATERIAL NO.		SEE CHART		SHEET NO.		
				SIZE A3		THIS DRAWING CONTAINS INFORMATION THAT IS PROPRIETARY TO MOLEX INCORPORATED AND SHOULD NOT BE USED WITHOUT WRITTEN PERMISSION				

NOTES

- 製品詳細寸法については SD-503376-003 を参照ください。  
RE DETAILED DIMENSION, SEE SD-503376-003
- 梱包数量：1500個/リール  
NUMBER OF CONNECTORS：1500PCS/REEL
- リードテープ長さ LEAD TAPE LENGTH  
20PCS. MIN. トップテープ接着部 (空エンボス)  
TOP TAPE BONDED PART. (EMPTY)  
部品挿入部  
COMPONENT SUPPLIER  
末端部 (空部)  
TAIL PART (EMPTY)  
40 MIN.
- トップテープの剥離強度：0.1 ~ 1.3N {10 ~ 130gf} (剥離方向は下図参照)  
尚、本規格値は出荷時に適用。(但し、輸送時に剥離が発生しないこと。)  
PEELING OFF FORCE OF TOP TAPE：0.1 ~ 1.3N {10 ~ 130gf}  
(PEELING DIRECTION AS SHOWN IN FOLLOWING FIG.)  
THIS REQUIREMENT SHOULD BE APPLIED AT SHIPMENT.  
PEEL OFF SHOULD NOT BE ALLOWED, DURING TRANSPORTATION.
- 材料 (MATERIAL)  
キャリアテープ (CARRIER TAPE)：ポリプロピレン (POLYPROPYLENE)  
トップテープ (TOPTAPE)：PET, PE, PEF  
リール (REEL)：ポリスチレン (P.S) (リサイクル材を含む)  
POLYSTYRENE (PS) <RECYCLE MATERIAL CONTAINED>
- ELV 及び RoHS 適合品  
ELV AND RoHS COMPLIANT.
- 本製品は、503376-\*\*10 のボス無し品である。  
THIS PRODUCT IS NON-BOSS VERSION OF 503376-\*\*10.



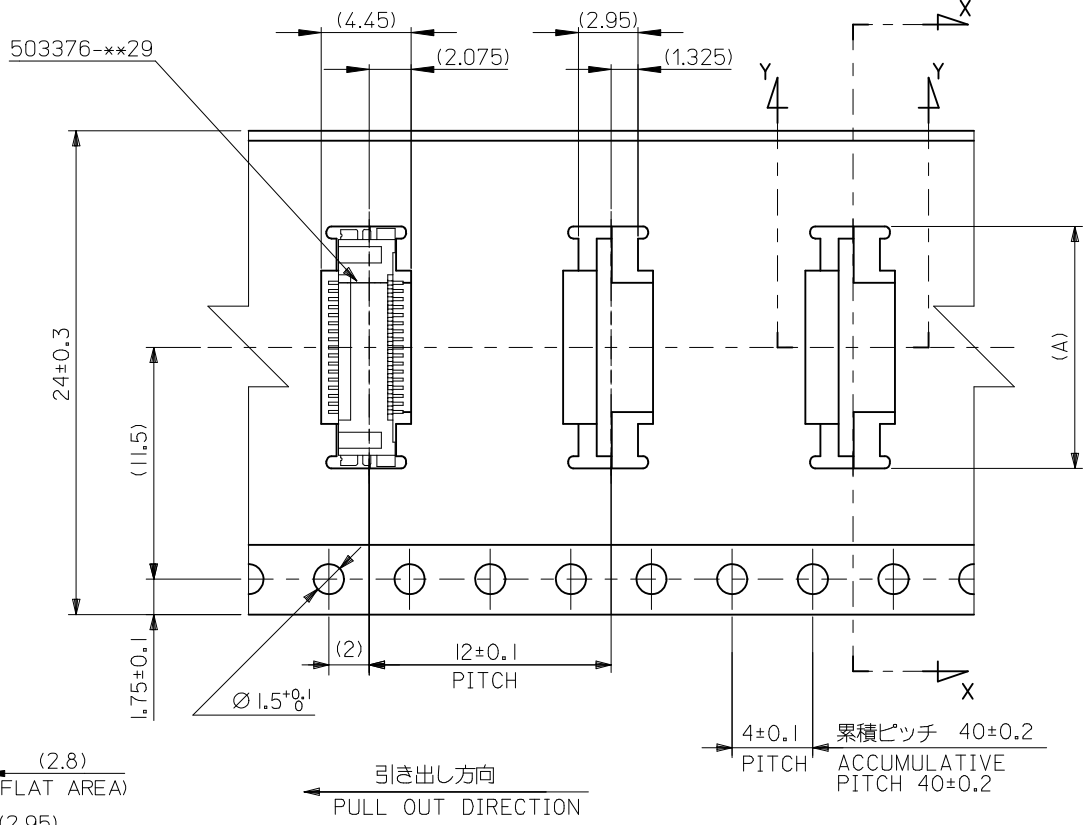
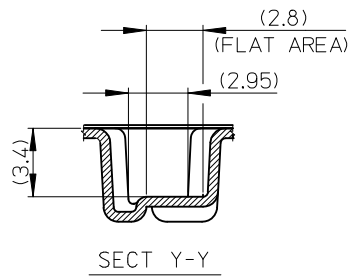
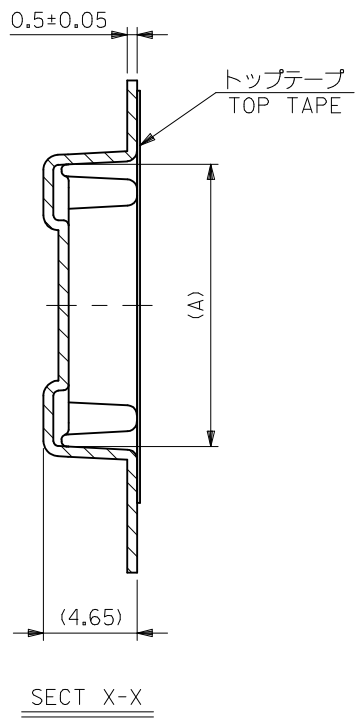
DETAIL D



503376-5020	50
EMBOSSED TAPE PKG.	極数
ORDER No. オーダー番号	CIRCUITS

CONNECTOR SERIES NO. 503376-\*\*20

RELEASED EC NO.: J2013-0242 DRWG: GMATSUNO 2012/08/31 CHKD: TASAKAWA 2012/08/31 APPR: TASAKAWA 2012/08/31	GENERAL TOLERANCES (UNLESS SPECIFIED)		DIMENSION STYLE MM ONLY		SCALE ---	DESIGN UNITS METRIC	THIRD ANGLE PROJECTION
	10 UNDER	±0.2	DRAWN BY GMATSUNO	DATE 2012/08/27	TITLE EMBSTP PKG FOR 0.4 B/B CONN. RA PLUG NAIL ASSY WITHOUT BOSS		
	10 OVER 30 UNDER	±0.25	CHECKED BY TASAKAWA	DATE 2012/08/27	<b>molex</b> DOCUMENT NO. SD-503376-004 SHEET NO. 1 OF 2		
	30 OVER	±0.3	APPROVED BY TASAKAWA	DATE 2012/08/31			
0	ANGULAR ±3 °	DRAFT WHERE APPLICABLE MUST REMAIN WITHIN DIMENSIONS		MATERIAL NO. SEE CHART	THIS DRAWING CONTAINS INFORMATION THAT IS PROPRIETARY TO MOLEX INCORPORATED AND SHOULD NOT BE USED WITHOUT WRITTEN PERMISSION		



24mm幅キャリアテープ  
24mm WIDTH CARRIER TAPE

24	29.4	25.4	15.2	503376-5020	50
キャリアテープ幅 CARRIER TAPE WIDTH	C	B	(A)	EMBOSSED TAPE PKG. ORDER No. オーダー番号	極数 CIRCUITS

RELEASED EC NO: J2013-0242 DRWG: GMATSUNO 2012/08/31 CHKD: TASAKAWA 2012/08/31 APPR: TASAKAWA 2012/08/31	GENERAL TOLERANCES (UNLESS SPECIFIED)		DIMENSION STYLE MM ONLY		SCALE ---	MODEL NO. 503376-**20
	10 UNDER	±0.2	DRAWN BY GMATSUNO	DATE 2012/08/27	TITLE EMBSTP PKG FOR 0.4 B/B CONN. RA PLUG NAIL ASSY WITHOUT BOSS	
	10 OVER 30 UNDER	±0.25	CHECKED BY TASAKAWA	DATE 2012/08/27	<b>molex</b> DOCUMENT NO. SD-503376-004 SHEET NO. 2 OF 2	
	30 OVER	±0.3	APPROVED BY TASAKAWA	DATE 2012/08/31		
ANGULAR	±3 °	MATERIAL NO. SEE CHART		THIRD ANGLE PROJECTION		
DRAFT WHERE APPLICABLE MUST REMAIN WITHIN DIMENSIONS		THIS DRAWING CONTAINS INFORMATION THAT IS PROPRIETARY TO MOLEX INCORPORATED AND SHOULD NOT BE USED WITHOUT WRITTEN PERMISSION				