



Chipsmall Limited consists of a professional team with an average of over 10 year of expertise in the distribution of electronic components. Based in Hongkong, we have already established firm and mutual-benefit business relationships with customers from,Europe,America and south Asia,supplying obsolete and hard-to-find components to meet their specific needs.

With the principle of “Quality Parts,Customers Priority,Honest Operation,and Considerate Service”,our business mainly focus on the distribution of electronic components. Line cards we deal with include Microchip,ALPS,ROHM,Xilinx,Pulse,ON,Everlight and Freescale. Main products comprise IC,Modules,Potentiometer,IC Socket,Relay,Connector.Our parts cover such applications as commercial,industrial, and automotives areas.

We are looking forward to setting up business relationship with you and hope to provide you with the best service and solution. Let us make a better world for our industry!



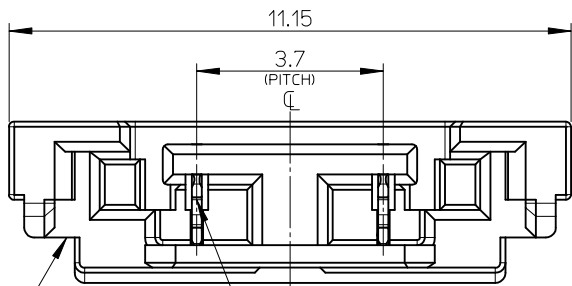
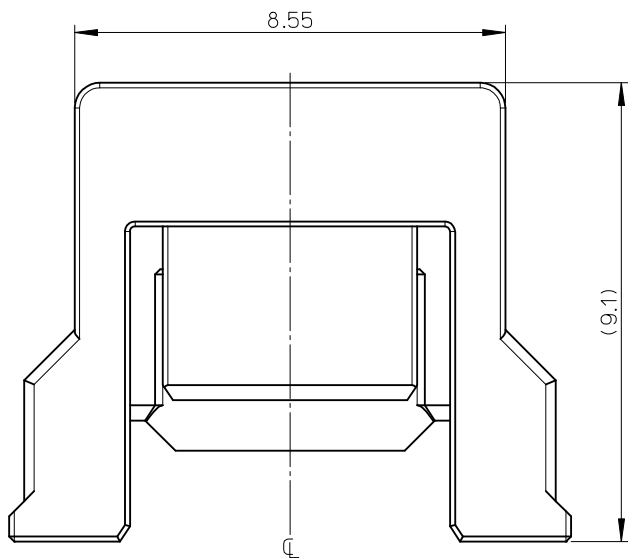
## Contact us

Tel: +86-755-8981 8866 Fax: +86-755-8427 6832

Email & Skype: info@chipsmall.com Web: www.chipsmall.com

Address: A1208, Overseas Decoration Building, #122 Zhenhua RD., Futian, Shenzhen, China





ハウジング  
HOUSING

ターミナル  
TERMINAL

注記;

NOTES;

1. 材質

MATERIAL

ハウジング : ポリエステル (PBT) 、UL94V-0、ナチュラル (白)  
HOUSING : POLYESTER(PBT) , UL94V-0, NATURAL(WHITE)  
ターミナル : りん青銅

錫めっき : 1.0μm以上  
下地 : ニッケルめっき 1.0μm以上

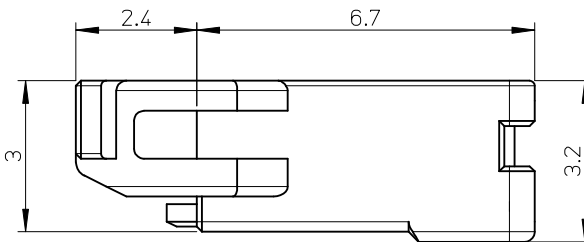
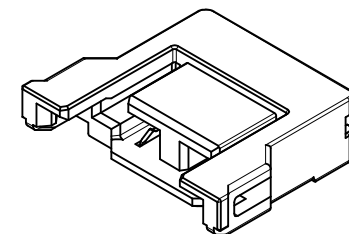
TERMINAL : PHOSPHOR BRONZE  
TIN PLATING : 1.0 MICROMETER MINIMUM  
UNDERPLATE : NICKEL 1.0 MICROMETER MINIMUM

2. 嵌合相手 : 503469-\*\*\*\*

MATE WITH : 503469-\*\*\*\*

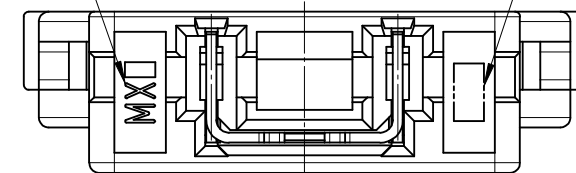
3. 本製品のプラスチック部に黒点等が確認される場合や色合いが異なる場合がありますが、製品性能に影響はありません。  
THERE IS NO INFLUENCE IN THE PRODUCT PERFORMANCE THOUGH THE BLACK SPOT ETC. MIGHT BE CONFIRMED TO THE PLASTIC PART OF THIS PRODUCT AND THE SHADE MIGHT BE DIFFERENT.

4. ELV及びRoHS適合品  
ELV AND RoHS COMPLIANT.



トレードマーク  
TRADE MARK

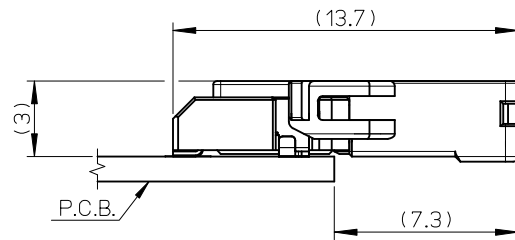
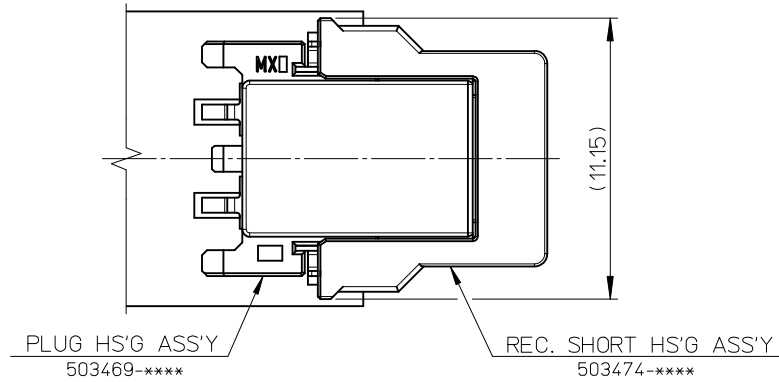
キャビティ番号  
CAVITY No.



503474-0200	2
PLASTIC BAG	CIRCUIT 極数
オーダー番号 ORDER No.	
コネクタシリーズ番号 CONNECTOR SERIES No.	503474-**00

RELEASED EC NO: J2010-0155 DRWN:HKOBAYASHI 2009/07/24 CHKD:SSATO03 2009/07/26 APPR:NUKITA 2009/07/27	DESCRIPTION REV: O	GENERAL TOLERANCES (UNLESS SPECIFIED)		DIMENSION STYLE MM ONLY		SCALE 10:1	DESIGN UNITS METRIC	THIRD ANGLE PROJECTION	
		10 UNDER	±0.2	DRAWN BY H.KOBAYASHI	DATE 2009/7/24	TITLE 3.7 MULTIPLE CONN. REC. SHORT HS'G ASS'Y			
		10 OVER 30 UNDER	±0.25	CHECKED BY S.SATO	DATE 2009/7/24	MOLEX INCORPORATED			
		30 OVER	±0.3	APPROVED BY N.UKITA	DATE 2009/7/24	DOCUMENT NO. SD-503474-001			
ANGULAR ±1 °		DRAFT WHERE APPLICABLE MUST REMAIN WITHIN DIMENSIONS		MATERIAL NO. —//—		SHEET NO. 1 OF 2			
				SIZE A3		THIS DRAWING CONTAINS INFORMATION THAT IS PROPRIETARY TO MOLEX INCORPORATED AND SHOULD NOT BE USED WITHOUT WRITTEN PERMISSION			

<嵌合状態図(参考)> 503474-\*\*\*\*/503469-\*\*\*\*  
 <MATED CONNECTOR (REFERENCE)>  
 (503474-\*\*\*\*/503469-\*\*\*\*)



SEE SHEET No.1 EC NO: J2010-0155 DRWN:HKOBAYASHI 2009/07/24 CHKD:SSAT003 2009/07/26 APPR:NUKITA 2009/07/27	GENERAL TOLERANCES (UNLESS SPECIFIED)		DIMENSION STYLE MM ONLY	SCALE 5:1	DESIGN UNITS METRIC	THIRD ANGLE PROJECTION		
	10 UNDER	±0.2	DRAWN BY H.KOBAYASHI	DATE 2009/7/24	TITLE 3.7 MULTIPLE CONN. REC. SHORT HS'G ASS'Y			
	10 OVER 30 UNDER	±0.25	CHECKED BY S.SATO	DATE 2009/7/24				
	30 OVER	±0.3	APPROVED BY N.UKITA	DATE 2009/7/24	MOLEX INCORPORATED DOCUMENT NO. SD-503474-001 SHEET NO. 2 OF 2			
	ANGULAR ±1 °		MATERIAL NO. —//—					
DRAFT WHERE APPLICABLE MUST REMAIN WITHIN DIMENSIONS		SIZE A3 THIS DRAWING CONTAINS INFORMATION THAT IS PROPRIETARY TO MOLEX INCORPORATED AND SHOULD NOT BE USED WITHOUT WRITTEN PERMISSION						