



Chipsmall Limited consists of a professional team with an average of over 10 year of expertise in the distribution of electronic components. Based in Hongkong, we have already established firm and mutual-benefit business relationships with customers from,Europe,America and south Asia,supplying obsolete and hard-to-find components to meet their specific needs.

With the principle of “Quality Parts,Customers Priority,Honest Operation,and Considerate Service”,our business mainly focus on the distribution of electronic components. Line cards we deal with include Microchip,ALPS,ROHM,Xilinx,Pulse,ON,Everlight and Freescale. Main products comprise IC,Modules,Potentiometer,IC Socket,Relay,Connector.Our parts cover such applications as commercial,industrial, and automotives areas.

We are looking forward to setting up business relationship with you and hope to provide you with the best service and solution. Let us make a better world for our industry!



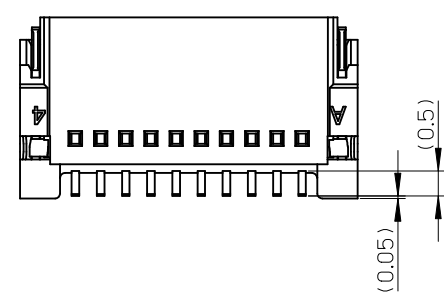
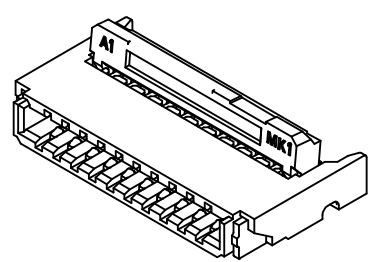
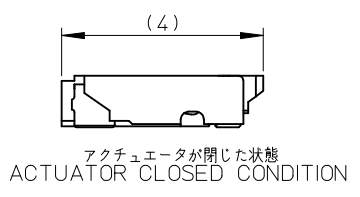
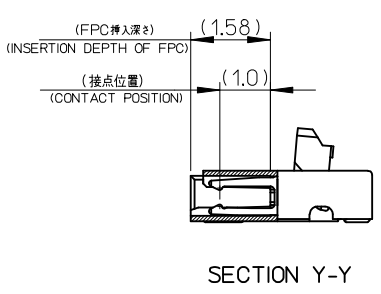
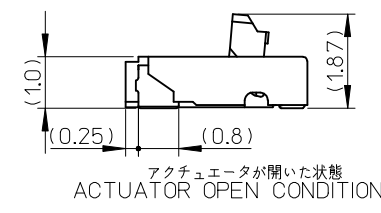
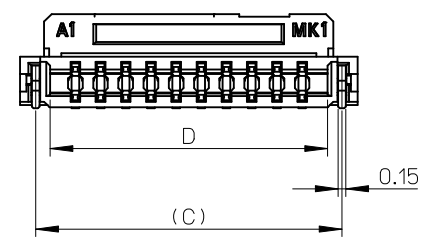
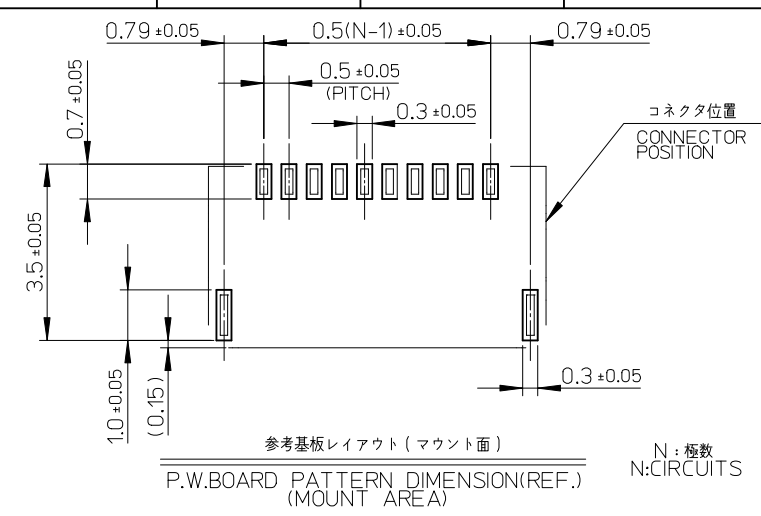
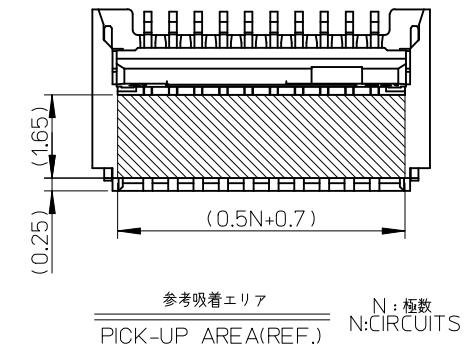
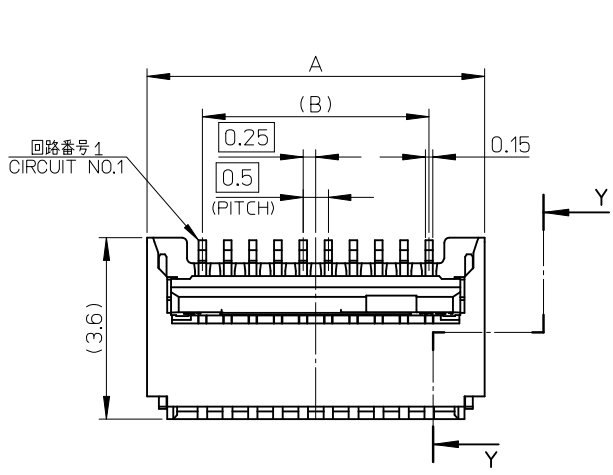
Contact us

Tel: +86-755-8981 8866 Fax: +86-755-8427 6832

Email & Skype: info@chipsmall.com Web: www.chipsmall.com

Address: A1208, Overseas Decoration Building, #122 Zhenhua RD., Futian, Shenzhen, China





メタルマスク : 0.1mm
 開口部 : TERM.(0.7X0.3)
 NAIL(1.0X0.3)
 METAL MASK THICKNESS : 0.1mm
 OPENING AREA : TERM.(0.7X0.3)
 NAIL(1.0X0.3)

| | | | | | |
|------|-------|------|------|------------------|---------|
| 16.5 | 17.08 | 15.5 | 17.7 | 503480-3200 | 32 |
| 13.5 | 14.08 | 12.5 | 14.7 | 503480-2600 | 26 |
| 12.5 | 13.08 | 11.5 | 13.7 | 503480-2400 | 24 |
| 11.5 | 12.08 | 10.5 | 12.7 | 503480-2200 | 22 |
| 10.5 | 11.08 | 9.5 | 11.7 | 503480-2000 | 20 |
| 9.5 | 10.08 | 8.5 | 10.7 | 503480-1800 | 18 |
| 9.0 | 9.58 | 8.0 | 10.2 | 503480-1700 | 17 |
| 8.5 | 9.08 | 7.5 | 9.7 | 503480-1600 | 16 |
| 7.5 | 8.08 | 6.5 | 8.7 | 503480-1400 | 14 |
| 6.5 | 7.08 | 5.5 | 7.7 | 503480-1200 | 12 |
| 5.5 | 6.08 | 4.5 | 6.7 | 503480-1000 | 10 |
| 4.5 | 5.08 | 3.5 | 5.7 | 503480-0800 | 8 |
| 3.5 | 4.08 | 2.5 | 4.7 | 503480-0600 | 6 |
| 3.0 | 3.58 | 2.0 | 4.2 | 503480-0500 | 5 |
| 2.5 | 3.08 | 1.5 | 3.7 | 503480-0400 | 4 |
| D | C | B | A | EMBOSSED PACKAGE | 極数 |
| | | | | オーダー番号 ORDER NO. | CIRCUIT |

CONNECTOR SERIES No. 503480-***09

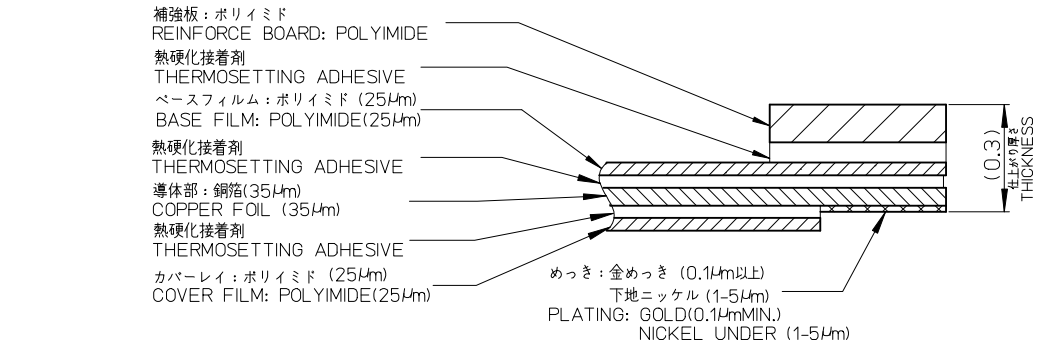
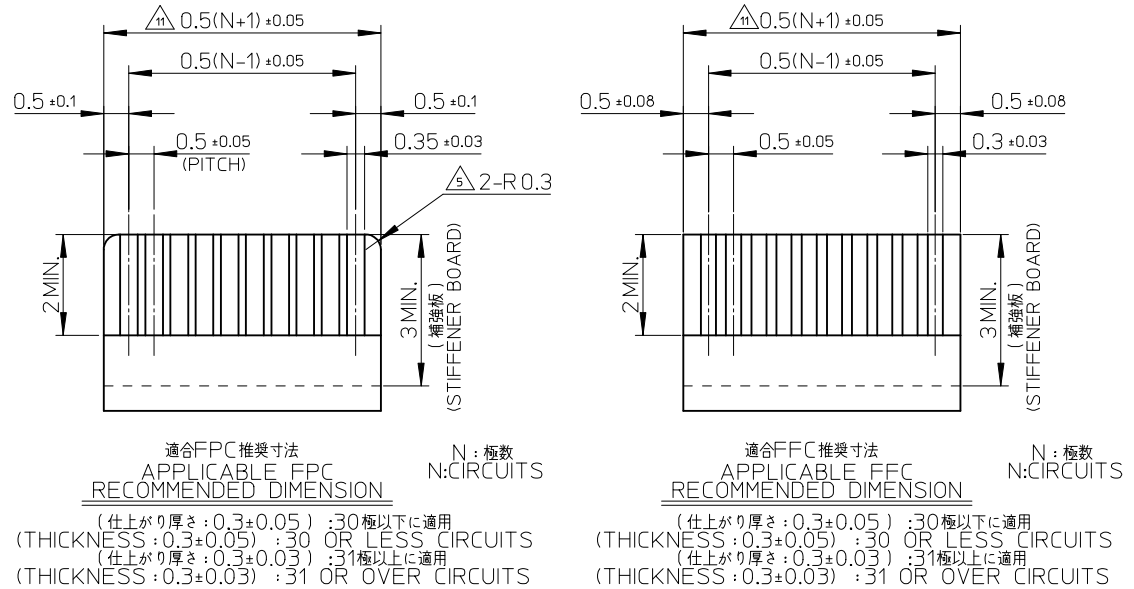
| | | | | | | | | |
|--|-------------------------------|--|--------------------------|---|--|-------------------------------|------------------------|------------------------|
| REVISED EC NO: KOR2015-0144 DRWN:YRK/IM 2015/06/05 CHYD:KSK/IM 2015/06/05 APPR:YSK/IM02 2015/06/08 | QUALITY SYMBOLS ▽=0 ◁=0 | GENERAL TOLERANCES (UNLESS SPECIFIED) | | DIMENSION STYLE MM ONLY | | SCALE 10:1 | DESIGN UNITS METRIC | THIRD ANGLE PROJECTION |
| | | 4 PLACES ± --- ± --- | DRAWN BY THIRAYAMA | DATE 2009/12/11 | TITLE 0.5 FPC CONN. E/O BACKFLIP H=1.0MM ASSEMBLY | | | |
| | | 3 PLACES ± 0.2 ± --- | CHECKED BY NMATSUURA | DATE 2009/12/11 | molex | | | |
| | | 2 PLACES ± 0.25 ± --- 1 PLACE ± 0.3 ± --- | APPROVED BY KMORIKAWA | DATE 2010/10/13 | MATERIAL NO. SEE CHART | DOCUMENT NO. SD-503480-001 | SHEET NO. 1 OF 2 | |
| DRAFT WHERE APPLICABLE MUST REMAIN WITHIN DIMENSIONS | | ANGULAR ± 1 ° | | THIS DRAWING CONTAINS INFORMATION THAT IS PROPRIETARY TO MOLEX INCORPORATED AND SHOULD NOT BE USED WITHOUT WRITTEN PERMISSION | | | | |

NOTES

1. 部品構成
 PART COMPOSITION
 ハウジング・・・材質：液晶ポリマー（LCP）、ガラス充填、UL94V-0、ナチュラル（白）
 HOUSING MATERIAL: LIQUID CRYSTAL POLYMER(LCP) GLASS FILLED, UL94V-0, NATURAL(WHITE)
- ターミナル・・・材質：燐青銅
 TERMINAL MATERIAL: PHOSPHOR BRONZE
 コンタクト部：部分金メッキ(0.1μm以上)
 テール部：部分金メッキ
 下地：ニッケルメッキ(1.0μm以上)
 CONTACT AREA: SEPARATED GOLD PLATING (0.1 MICROMETER MINIMUM)
 SOLDER TAIL AREA: SEPARATED GOLD PLATING
 UNDERPLATE: NICKEL OVERALL (1.0 MICROMETER MINIMUM)
- アクチュエータ・・・材質：ポリアミド(PA)、ガラス充填、UL94 HB、黒色
 ACTUATOR MATERIAL: POLYAMIDE(PA) GLASS FILLED, UL94 HB, BLACK
- ネイル・・・材質：燐青銅
 NAIL MATERIAL: PHOSPHOR BRONZE
 テール部：錫メッキ(1.0μm以上)
 下地：ニッケルメッキ(1.0μm以上)
 SOLDER TAIL AREA: TIN OVERALL(1.0 MICROMETER MINIMUM)
 UNDERPLATE: NICKEL OVERALL(1.0 MICROMETER MINIMUM)

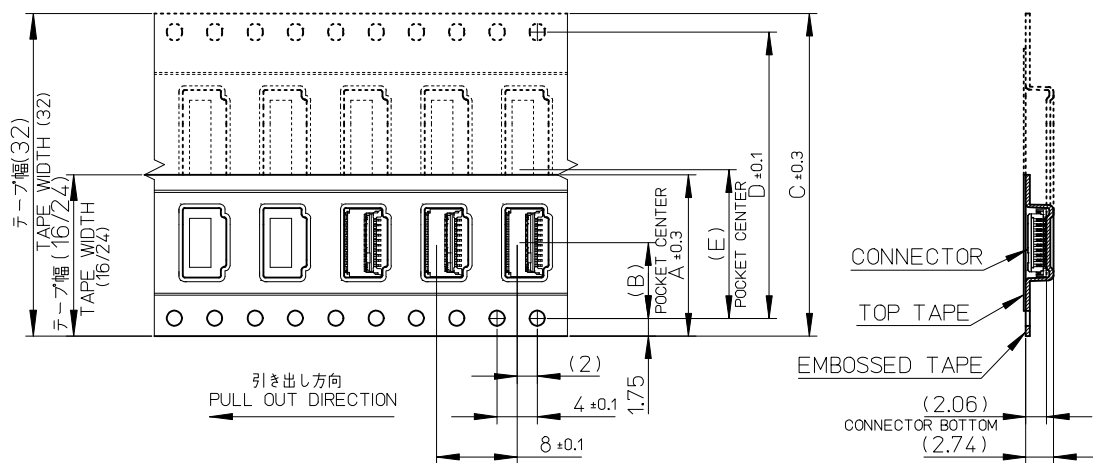
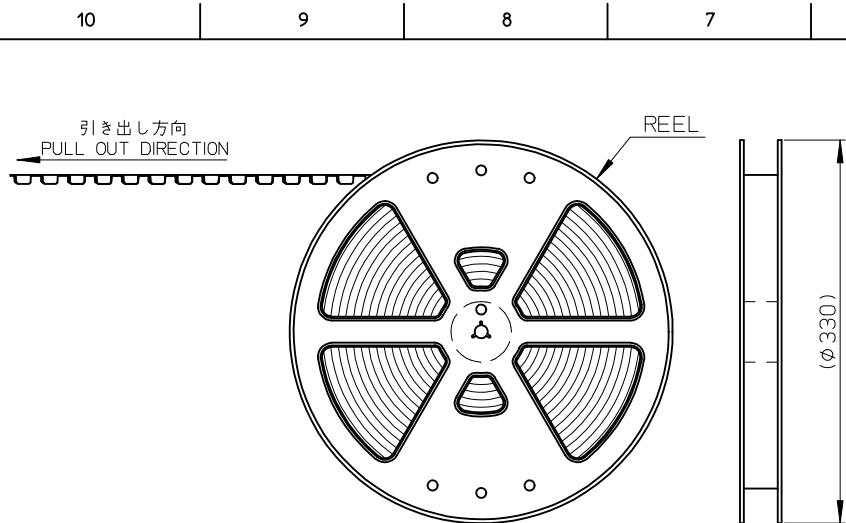
2. 基板実装前にアクチュエータを操作しないで下さい。
 PLEASE DO NOT OPERATE THE ACTUATOR BEFORE MOUNTING.
3. 必ずFPCを挿入してからアクチュエータを操作して下さい。
 PLEASE OPERATE THE ACTUATOR AFTER INSERTING THE FPC INTO THE CONNECTOR.
4. FPCについて
 ABOUT FPC
 補強フィルム材質はポリイミドを推奨します。ベースフィルムは25μmを推奨します。
 接着剤は熱硬化接着剤を推奨します。
 尚、接着剤の接点部への付着は導通不良の原因になりますので、染み出しが無い様、お願い致します。
 RECOMMENDED STIFFENER MATERIAL: POLYIMIDE
 RECOMMENDED BASE FILM THICKNESS: 25 MICROMETER
 RECOMMENDED ADHESIVE: THERMOSETTING ADHESIVE
 NOTE: PLEASE PUT APPROPRIATE AMOUNT OF ADHESIVE ON ADHEREND BECAUSE THERE IS A POSSIBILITY THAT THE EXTRA ADHESIVE CAUSES THE DEFECT IN ELECTRICAL CONTINUITY.

- 打抜き方向は導体側から補強板側を推奨致します。
 導体部については軟銅箔35μmを推奨致します。
 RECOMMENDED PUNCHER DIRECTION:
 FROM CONDUCTOR SIDE TO STIFFENER FILM SIDE.
 RECOMMENDED CONDUCTOR SPECIFICATION:
 THICKNESS OF SOFT COPPER FOIL: 35MICROMETER
- △ RO.3は、FPC導体部にかからないこと。
 RO.3 MUST NOT BE OVERLAPPED TO PATTERN OF FPC.
6. ELV及びRoHS適合品
 ELV AND RoHS COMPLIANT
7. 平坦度：0.1以下
 COPLANARITY : 0.1 MAXIMUM
8. 製造上の都合により機能に阻害しない部位の形状を変更する可能性があります。
 PLEASE RECOGNIZE A POSSIBILITY TO CHANGE THE SHAPE OF THE PART THAT DOES NOT OBSTRUCT A FUNCTION, BY CIRCUMSTANCES IN OUR PRODUCTION.
9. 本製品の納入状態はアクチュエータが開いた状態となります。
 THIS PRODUCT IS DELIVERED WITH THE ACTUATOR IN THE OPEN POSITION.
10. 本製品は両面(上面、下面)接触に対応しております。
 THIS PRODUCT IS DUAL-CONTACT (TOP AND BOTTOM-CONTACTS) TYPE CONNECTOR.
 △ FPC幅が0.5(N+1)+0.02を超える場合、FPC挿入性の事前確認をお願いします。
 PLEASE CONFIRM TO INSERT FPC IN ADVANCE WHEN FPC WIDTH IS OVER 0.5(N+1)+0.02.



FPC構成推奨仕様
 STRUCTURE OF FPC

| | | | | | | | | | | |
|--|-------------------------------|--|-------|----------------------------|---|--|------------------------|------------------------|--|--|
| SEE SHEET1 EC NO: KOR2015-0144 DRWN:YRK/IM 2015/06/05 CHKD:SK/IM 2015/06/05 APPR:YSK/IM02 2015/06/08 | QUALITY SYMBOLS ▽=0 ◇=0 | GENERAL TOLERANCES (UNLESS SPECIFIED) | | DIMENSION STYLE MM ONLY | | SCALE 10:1 | DESIGN UNITS METRIC | THIRD ANGLE PROJECTION | | |
| | | mm | INCH | DRAWN BY THIRAYAMA | DATE 2009/12/11 | TITLE 0.5 FPC CONN. E/O BACKFLIP H=1.0MM ASSEMBLY | | | | |
| | | 4 PLACES ± --- | ± --- | CHECKED BY NMATSUURA | DATE 2009/12/11 | molex | | | | |
| | | 3 PLACES ± 0.2 | ± --- | APPROVED BY KMORIKAWA | DATE 2010/10/13 | | | | | |
| 2 PLACES ± 0.25 | ± --- | ANGULAR ± 1 ° | | MATERIAL NO. | DOCUMENT NO. | SHEET NO. 2 OF 2 | | | | |
| 1 PLACE ± 0.3 | ± --- | DRAFT WHERE APPLICABLE MUST REMAIN WITHIN DIMENSIONS | | SIZE A3 | THIS DRAWING CONTAINS INFORMATION THAT IS PROPRIETARY TO MOLEX INCORPORATED AND SHOULD NOT BE USED WITHOUT WRITTEN PERMISSION | | | | | |

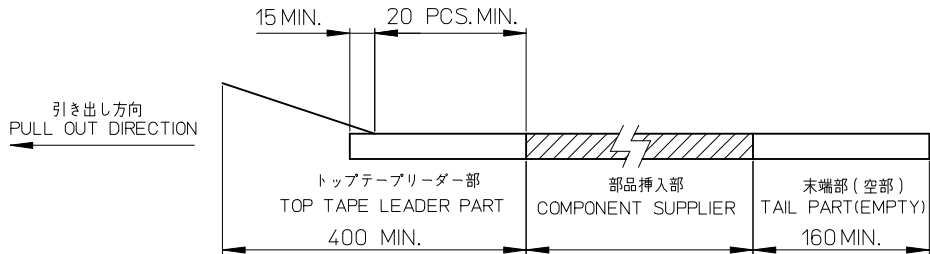


NOTES

1. 製品(503480-**-09)の詳細寸法については、SD-503480-001をご参照下さい。
 IN THE PACKAGE, PART NO.503480-**-09 DETAILED DIMENSIONS.
 REFER TO SD-503480-001.

2. 梱包数量 : 3000個/リール
 NUMBER OF CONNECTORS : 3000PCS/REEL

3. リードテープの長さ
 LEAD TAPE LENGTH
 トップテープ未接着部 トップテープ接着部(空エンボス)
 TOP TAPE NON-BONDED PART TOP TAPE BONDED PART(EMPTY)



4. 材料
 キャリアテープ : PET
 トップテープ : PET, OTHER
 リール : PS<リサイクル材を含む>
 MATERIAL
 CARRIER TAPE : PET
 TOP TAPE : PET, OTHER
 REEL : PS <RECYCLE MATERIAL CONTAINED>

5. カバーテープの剥離強度については、IEC60286-3に準拠
 COVER TAPE PEEL FORCE IS DEFINED BY IEC60286-3.

エンボステープ内の製品の向き
 DIRECTION OF CONNECTOR IN EMBOSSED TAPE

| | | | | | | | |
|------|------|----|------|----|--------------------|---------------------|---------------|
| 14.2 | 28.4 | 32 | - | - | 32 | 503480-3200 | 32 |
| | | | | | | 503480-2600 | 26 |
| | | | | | | 503480-2400 | 24 |
| | | | | | | 503480-2200 | 22 |
| | | | 11.5 | 24 | 24 | 503480-2000 | 20 |
| | | | | | | 503480-1800 | 18 |
| | | | | | | 503480-1700 | 17 |
| | | | | | | 503480-1600 | 16 |
| | | | | | | 503480-1400 | 14 |
| | | | | | | 503480-1200 | 12 |
| | | | | | | 503480-1000 | 10 |
| | | | 7.5 | 16 | 16 | 503480-0800 | 8 |
| | | | | | | 503480-0600 | 6 |
| | | | | | | 503480-0500 | 5 |
| | | | | | | 503480-0400 | 4 |
| E | D | C | B | A | テープ幅 TAPE WIDTH | オーダー番号 ORDER NO. | 極数 CIRCUIT |

| | | | | | | |
|---|-----------------|---|---------------------------------|---|--------------|---|
| REVISED EC NO: KOR2015-0144 DRWN:YRK/IM 2015/06/05 CHKD:KSK/IM 2015/06/05 APPR:YSK/IM02 2015/06/08 DESCRIPTION | QUALITY SYMBOLS | GENERAL TOLERANCES (UNLESS SPECIFIED) | DIMENSION STYLE | SCALE | DESIGN UNITS | TITLE 0.5 FPC CONN. E/O EMBOSSED TAPE PACKAGE molex DOCUMENT NO. SD-503480-002 SHEET NO. 1 OF 1 |
| | ▼=0 ◻=0 | mm INCH 4 PLACES ± 0.2 ± --- 3 PLACES ± 0.25 ± --- 2 PLACES ± 0.3 ± --- 1 PLACE ± --- ± --- ANGULAR ± 3 ° | MM ONLY | 2:1 | METRIC | |
| | | | DRAWN BY THIRAYAMA 2009/12/11 | DATE | | |
| | | | CHECKED BY NMATSUURA 2009/12/11 | DATE | | |
| | | APPROVED BY KMORIKAWA 2009/12/11 | DATE | | | |
| | | MATERIAL NO. | SEE TABLE | | | |
| | | DRAFT WHERE APPLICABLE MUST REMAIN WITHIN DIMENSIONS | | THIS DRAWING CONTAINS INFORMATION THAT IS PROPRIETARY TO MOLEX INCORPORATED AND SHOULD NOT BE USED WITHOUT WRITTEN PERMISSION | | |