



Chipsmall Limited consists of a professional team with an average of over 10 year of expertise in the distribution of electronic components. Based in Hongkong, we have already established firm and mutual-benefit business relationships with customers from,Europe,America and south Asia,supplying obsolete and hard-to-find components to meet their specific needs.

With the principle of “Quality Parts,Customers Priority,Honest Operation,and Considerate Service”,our business mainly focus on the distribution of electronic components. Line cards we deal with include Microchip,ALPS,ROHM,Xilinx,Pulse,ON,Everlight and Freescale. Main products comprise IC,Modules,Potentiometer,IC Socket,Relay,Connector.Our parts cover such applications as commercial,industrial, and automotives areas.

We are looking forward to setting up business relationship with you and hope to provide you with the best service and solution. Let us make a better world for our industry!



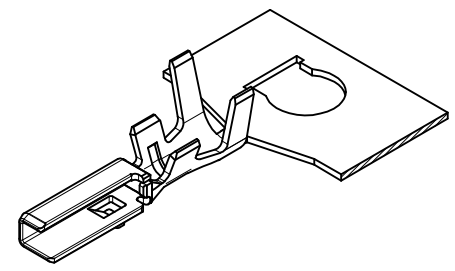
## Contact us

Tel: +86-755-8981 8866 Fax: +86-755-8427 6832

Email & Skype: info@chipsmall.com Web: www.chipsmall.com

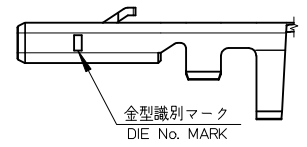
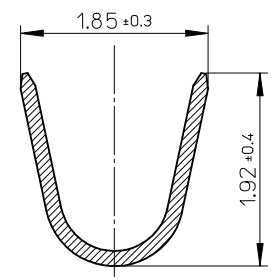
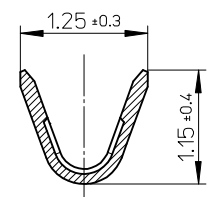
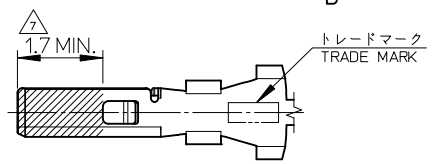
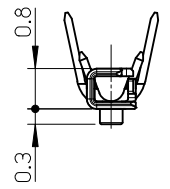
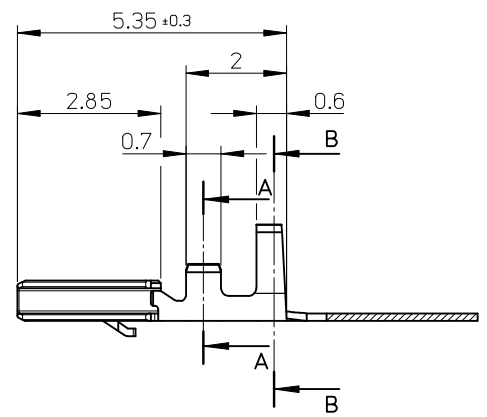
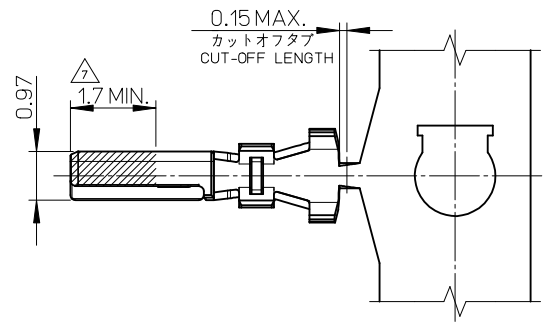
Address: A1208, Overseas Decoration Building, #122 Zhenhua RD., Futian, Shenzhen, China





注記:  
NOTES:

1. 材質: 銅合金 (板厚: 0.15)  
MATERIAL: COPPER ALLOY (THICKNESS: 0.15)
2. メッキ仕様  
FINISHES  
 錫メッキ: 0.4マイクロメートル以上  
 TIN PLATING: 0.4 MICROMETER MINIMUM  
 リフロー処理 (前めっき)  
 REFLOW TREATMENT (PRE-PLATED)  
 ニッケル下地メッキ: 0.1マイクロメートル以上  
 NICKEL (UNDER PLATING): 0.1 MICROMETER MINIMUM  
 リフロー処理 (前めっき)  
 REFLOW TREATMENT (PRE-PLATED)
3. 適合ハウジング: 503473シリーズ  
APPLICABLE HOUSING: 503473 SERIES
4. 適用電線範囲: AWG#26~28 (0.079~0.141mm)  
WIRE RANGE: AWG#26~28 (0.079~0.141mm<sub>2</sub>)
5. 絶縁被覆外径: φ0.93~φ1.14  
INSULATION RANGE: φ0.93~φ1.14
6. 圧着仕様については、圧着仕様書CS-503485-001を参照願います。  
PLEASE REFER TO CRIMP SPECIFICATION CS-503485-001.  
 図示の斜線部の範囲は接点部のため、傷、打痕、汚れなどを付けないようにして下さい。  
 PLEASE DON'T DAMAGE, DON'T DENT, AND DON'T MAKE IT DIRTY.  
 BECAUSE THE RANGE IN THE SHADED PORTION SHOWN IN FIGURE IS THE CONTACT AREA.
8. 適用圧着工具: 578069-3000 (自動圧着機)  
APPLICABLE CRIMPING TOOL: 578069-3000 (AUTOMATIC)
9. ELV及びRoHS適合品  
ELV AND RoHS COMPLIANT.



連鎖状 CHAIN	503485-0000
端子形状 TERMINAL CONFIGURATION	オーダー番号 ORDER No.
コネクタシリーズ番号 CONNECTOR SERIES No.	503485-****

RELEASED EC No: J2010-0155 DRWN: H.KOBAYASHI 2009/07/24 CHKD: S.SATO 2009/07/26 APPR: N.UKITA 2009/07/27	GENERAL TOLERANCES (UNLESS SPECIFIED)		DIMENSION STYLE MM ONLY		SCALE 10:1	DESIGN UNITS METRIC	THIRD ANGLE PROJECTION
	10 UNDER	±0.2	DRAWN BY H.KOBAYASHI	DATE 2009/7/24	TITLE 3.7 MULTIPLE CONN. PLUG CRIMP TERMINAL		
	10 OVER 30 UNDER	±0.25	CHECKED BY S.SATO	DATE 2009/7/24	MOLEX INCORPORATED		
	30 OVER	±0.3	APPROVED BY N.UKITA	DATE 2009/7/24	DOCUMENT NO. SD-503485-001	SHEET NO. 1 OF 1	
0	REV	ANGULAR ±1 °	MATERIAL NO. —#—		THIS DRAWING CONTAINS INFORMATION THAT IS PROPRIETARY TO MOLEX INCORPORATED AND SHOULD NOT BE USED WITHOUT WRITTEN PERMISSION		
		DRAFT WHERE APPLICABLE MUST REMAIN WITHIN DIMENSIONS					