



Chipsmall Limited consists of a professional team with an average of over 10 year of expertise in the distribution of electronic components. Based in Hongkong, we have already established firm and mutual-benefit business relationships with customers from,Europe,America and south Asia,supplying obsolete and hard-to-find components to meet their specific needs.

With the principle of “Quality Parts,Customers Priority,Honest Operation,and Considerate Service”,our business mainly focus on the distribution of electronic components. Line cards we deal with include Microchip,ALPS,ROHM,Xilinx,Pulse,ON,Everlight and Freescale. Main products comprise IC,Modules,Potentiometer,IC Socket,Relay,Connector.Our parts cover such applications as commercial,industrial, and automotives areas.

We are looking forward to setting up business relationship with you and hope to provide you with the best service and solution. Let us make a better world for our industry!



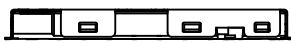
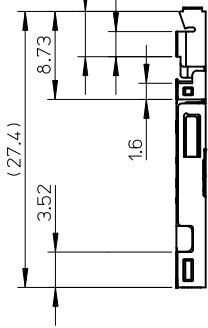
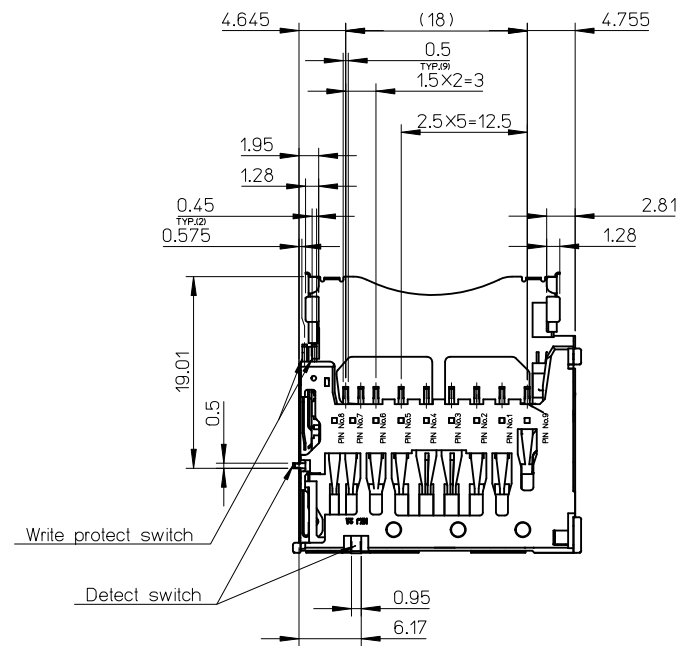
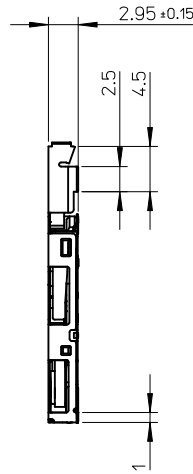
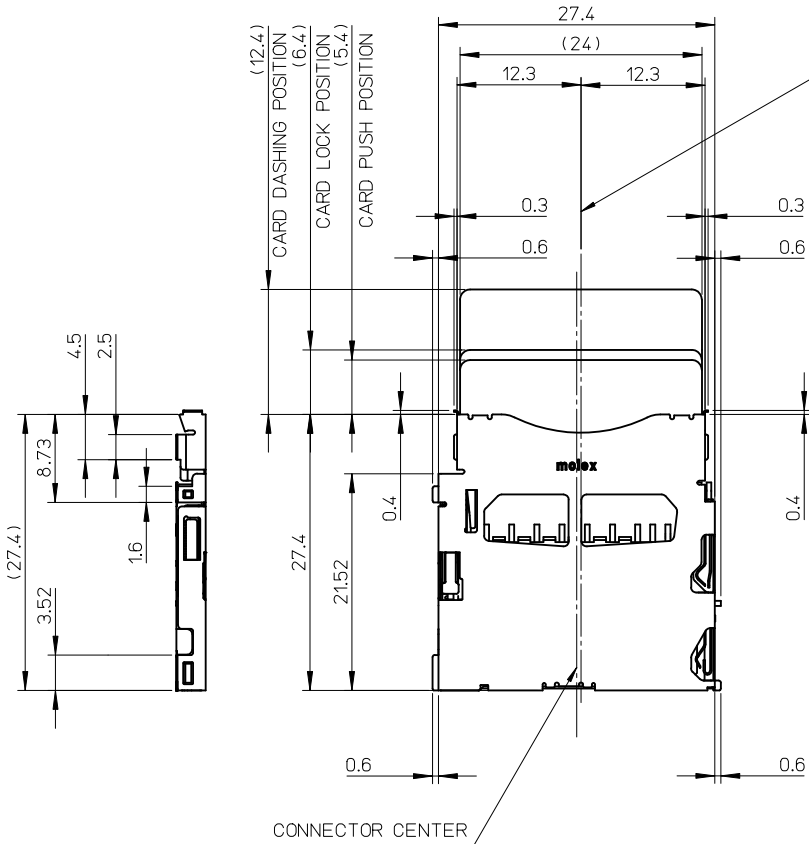
## Contact us

Tel: +86-755-8981 8866 Fax: +86-755-8427 6832

Email & Skype: info@chipsmall.com Web: www.chipsmall.com

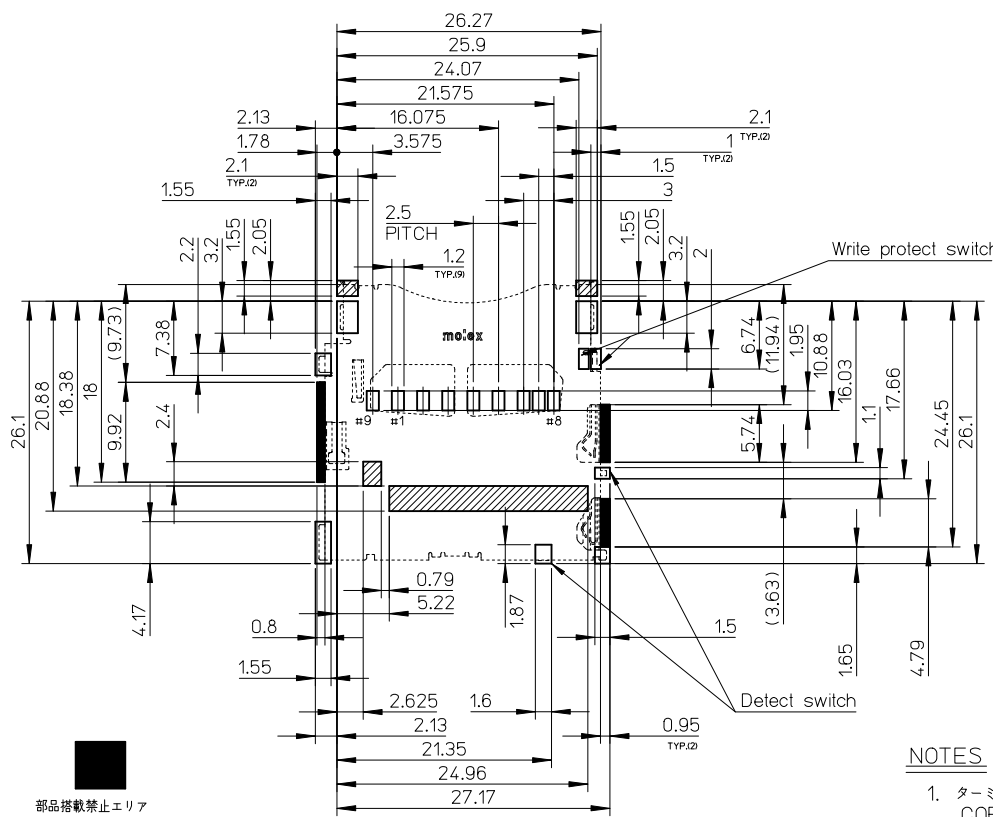
Address: A1208, Overseas Decoration Building, #122 Zhenhua RD., Futian, Shenzhen, China





503500-0991	9
EMBOSSED TAPE	極数
ORDER No. オーダー番号	CIRCUITS
CONNECTOR SERIES NO. 503500-***11	

REVISED EC NO: J2010-1552 DRWN: YNAITO 2010/02/01 CHKD: MTOMITA 2010/02/01 APPR: NUKITA 2010/02/01 REV: B	GENERAL TOLERANCES (UNLESS SPECIFIED)		DIMENSION STYLE MM ONLY	SCALE 2:1	DESIGN UNITS METRIC	THIRD ANGLE PROJECTION	
	10 UNDER	± 0.2	DRAWN BY YNAITO	DATE 2009/09/11	TITLE SD CARD CONN.PUSH/PUSH NORMAL ASSY		
	10 OVER 30 UNDER	± 0.25	CHECKED BY MTOMITA	DATE 2009/09/11	MOLEX INCORPORATED		
	30 OVER	± 0.3	APPROVED BY NUKITA	DATE 2009/09/11	MATERIAL NO. SEE CHART	DOCUMENT NO. SD-503500-001	SHEET NO. 1 OF 2
ANGULAR ± 1 °		DRAFT WHERE APPLICABLE MUST REMAIN WITHIN DIMENSIONS		THIS DRAWING CONTAINS INFORMATION THAT IS PROPRIETARY TO MOLEX INCORPORATED AND SHOULD NOT BE USED WITHOUT WRITTEN PERMISSION			



部品搭載禁止エリア  
PROHIBITED AREA

パターン禁止エリア  
PATTERN PROHIBITION AREA  
注: コネクタ投影面上の半田付けは禁止

RECOMMENDED  
PCB PATTERN LAYOUT  
(GENERAL TOLERANCE : ±0.05)

2. 各スイッチのオープン/クローズ  
OPENING/CLOSE OF EACH SWITCH

	プロテクトターミナル PROTECT TERMINAL		ディテクトターミナル DETECT TERMINAL
	カード書き込み 禁止状態 WRITE PROTECT POSITION	カード書き込み 可能状態 WRITE ENABLE POSITION	
カード未装着状態 CARD UNINSERTION	オープン OPEN	オープン OPEN	オープン OPEN
カード装着 AFTER CARD INSERTION	オープン OPEN	クローズ CLOSE	クローズ CLOSE

番号 No.	名称 NAME	材料 MATERIAL
①	ハウジング HOUSING	耐熱樹脂 HEAT RESISTANCE POLYMER
②	ターミナル TERMINAL	銅合金、接点部: 金めっき 半田付部: 錫めっき 下地: ニッケルめっき COPPER ALLOY, CONTACT AREA: GOLD TAIL AREA: TIN UNDER PLATING: NICKEL
③	メタルシェル METAL SHELL	銅合金 COPPER ALLOY
④	カムスライダー CAM SLIDER	耐熱樹脂 HEAT RESISTANCE POLYMER
⑤	ディテクトスイッチ DETECT SWITCH	銅合金、接点部: 金めっき 半田付部: 金めっき 下地: ニッケルめっき COPPER ALLOY, CONTACT AREA: GOLD TAIL AREA: GOLD UNDER PLATING: NICKEL
⑥	ライトプロテクト スイッチ WRITE PROTECT SWITCH	銅合金、接点部: 金めっき 半田付部: 錫めっき 下地: ニッケルめっき COPPER ALLOY, CONTACT AREA: GOLD TAIL AREA: TIN UNDER PLATING: NICKEL
⑦	スプリング SPRING	ピアノ線 SWP
⑧	カムピン CAM PIN	ステンレス鋼 STAINLESS STEEL

CONFIDENTIAL

NOTES

- ターミナル及びネイルの平坦度は0.1MAX.とする。  
COPLANARITY OF TERMINAL AND NAIL IS TO BE 0.1MAX.
- ロット印字は任意とする  
LOT NUMBERING IS TO BE OPTIONAL.
- 肉抜き位置は任意とする。  
CAVITY IS TO BE OPTIONAL.
- 本製品の側面にはカード挿抜時に一部金属が突出する箇所があります。  
該当箇所は部品搭載禁止エリアとなりますので、ご注意ください。  
There are the places that the part of metal stands out at the side of the connector when the card insertion. The area is prohibited to place the other parts.

6. ELV及びRoHS適合品  
ELV AND RoHS COMPLIANT.

ロットNo. : 9 07 0 7 0  
西暦(1桁目) MONTH 7 : 7月  
THE YEAR OF GRACE 10 : 10月  
9 : 2009年 DAY 07 : 07日  
ラインNo. LINE No.

SEE SHEET 1 OF 2 EC NO. J2010-1552 DRWN: YNAITO 2010/02/01 CHKD: MTOMITA 2010/02/01 APPR: NUKITA 2010/02/01	GENERAL TOLERANCES (UNLESS SPECIFIED)	DIMENSION STYLE MM ONLY	SCALE 2:1	DESIGN UNITS METRIC	THIRD ANGLE PROJECTION
	10 UNDER ±0.2	DRAWN BY DATE YNAITO 2009/09/11	TITLE SD CARD CONN.PUSH/PUSH NORMAL ASSY		
	10 OVER 30 UNDER ±0.25	CHECKED BY DATE MTOMITA 2009/09/11			
	30 OVER ±0.3	APPROVED BY DATE NUKITA 2009/09/11			
ANGULAR ±1° DRAFT WHERE APPLICABLE MUST REMAIN WITHIN DIMENSIONS	MATERIAL NO. SEE SHEET 1 OF 2	MOLEX INCORPORATED DOCUMENT NO. SD-503500-001		SHEET NO. 2 OF 2	
SIZE A3	THIS DRAWING CONTAINS INFORMATION THAT IS PROPRIETARY TO MOLEX INCORPORATED AND SHOULD NOT BE USED WITHOUT WRITTEN PERMISSION				