



Chipsmall Limited consists of a professional team with an average of over 10 year of expertise in the distribution of electronic components. Based in Hongkong, we have already established firm and mutual-benefit business relationships with customers from,Europe,America and south Asia,supplying obsolete and hard-to-find components to meet their specific needs.

With the principle of "Quality Parts,Customers Priority,Honest Operation,and Considerate Service",our business mainly focus on the distribution of electronic components. Line cards we deal with include Microchip,ALPS,ROHM,Xilinx,Pulse,ON,Everlight and Freescale. Main products comprise IC,Modules,Potentiometer,IC Socket,Relay,Connector.Our parts cover such applications as commercial,industrial, and automotives areas.

We are looking forward to setting up business relationship with you and hope to provide you with the best service and solution. Let us make a better world for our industry!



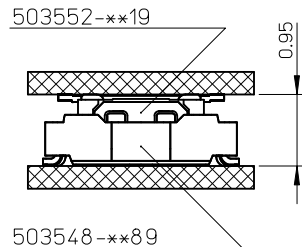
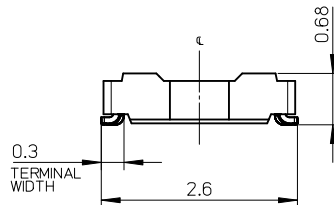
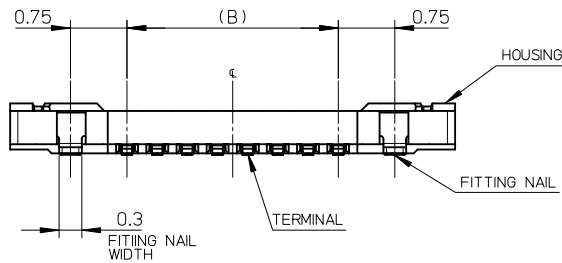
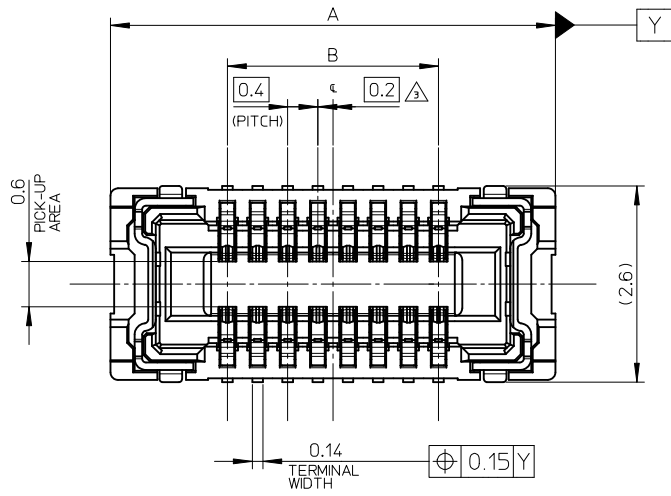
## Contact us

Tel: +86-755-8981 8866 Fax: +86-755-8427 6832

Email & Skype: info@chipsmall.com Web: www.chipsmall.com

Address: A1208, Overseas Decoration Building, #122 Zhenhua RD., Futian, Shenzhen, China





注記 NOTES

1. 使用材料 MATERIAL

ハウジング : 液晶ポリマー ( LCP ) UL94V-0 ( 黒 )  
HOUSING: LIQUID CRYSTAL POLYMER UL94V-0 ( COLOR: BLACK )

ターミナル : 銅合金  
TERMINAL : COPPER ALLOY

金具 : 銅合金  
FITTING NAIL : COPPER ALLOY

2. メッキ仕様 PLATING

ターミナル TERMINAL

金メッキ  
GOLD

下地メッキ: ニッケルメッキ  
UNDER PLATING : NICKEL

※コンタクト部とテール部はニッケルメッキによって分断されている金メッキです。  
DIVIDE INTO PARTS THE GOLD PLATING OF THE CONTACT AND THE TAIL PART BY THE NICKEL PLATING.

金具 FITTING NAIL

金メッキ ( テール部のみ )  
GOLD ( ONLY TAIL PART )

下地メッキ: ニッケルメッキ  
UNDER PLATING : NICKEL

△ ( 全極数 / 2 ) = 偶数の場合に適用。  
APPLY FOR ( CIRCUIT / 2 ) = EVEN.

4. 嵌合相手: 503552 シリーズ  
MATE WITH : 503552 SERIES.

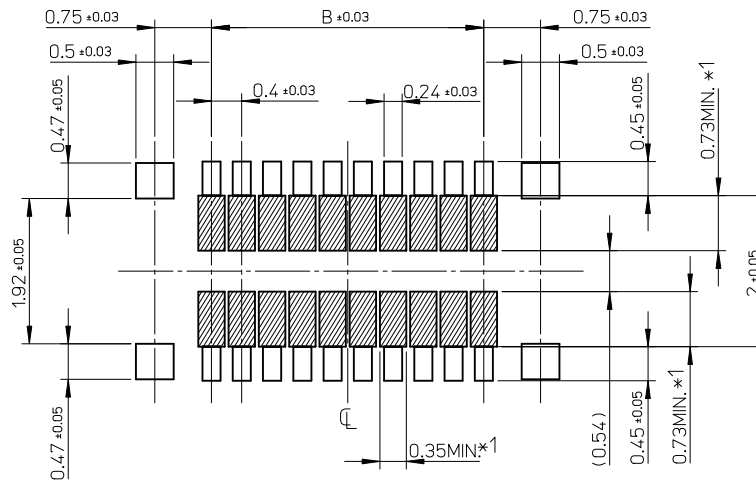
5. テール平坦度は、 0.08 以下

テール及び金具の平坦度は、 0.1 以下  
TAIL COPLANARITY TO BE 0.08 MAXIMUM.  
TAIL AND FITTING NAIL COPLANARITY TO BE 0.1 MAXIMUM.

6. ELV and RoHS COMPLIANT.

3.2	6.3	503548-1880	18
2.8	5.9	503548-1680	16
2.4	5.5	503548-1480	14
2.0	5.1	503548-1280	12
0.8	3.9	503548-0680	6
B	A	EMBOSSED PACKAGE	極数
		オーダー番号 ORDER No.	CIRCUITS
CONNECTOR SERIES No. : 503548-**89			

RELEASED EC NO: J2011-0380 DRWN: NAITO 2010/09/10 CHKD: RTAKEUCHI 2010/09/10 APPR: MSASAO	GENERAL TOLERANCES (UNLESS SPECIFIED)		DIMENSION STYLE	SCALE	DESIGN UNITS	THIRD ANGLE PROJECTION
			MM ONLY	15:1	METRIC	
	10 UNDER	±0.2	DRAWN BY	DATE	TITLE	
	10 OVER 30 UNDER	±0.25	RTAKEUCHI	2010/01/08	0.4 B-TO-B CONN. HGT=0.7 W=2.6 HI-RETENTION REC ASSY CHECKER TYPE	
	30 OVER	±0.3	CHECKED BY	DATE		
		THIRATA	2010/01/08	MOLEX INCORPORATED		
		APPROVED BY	DATE	DOCUMENT NO.		SHEET NO.
		MSASAO	2010/01/08	SEE CHART		1 OF 2
		MATERIAL NO.	SD-503548-007			
		ANGULAR ±1 °	THIS DRAWING CONTAINS INFORMATION THAT IS PROPRIETARY TO MOLEX INCORPORATED AND SHOULD NOT BE USED WITHOUT WRITTEN PERMISSION			
		DRAFT WHERE APPLICABLE MUST REMAIN WITHIN DIMENSIONS				



RECOMMENDED P.W. BOARD  
PATTERN LAYOUT

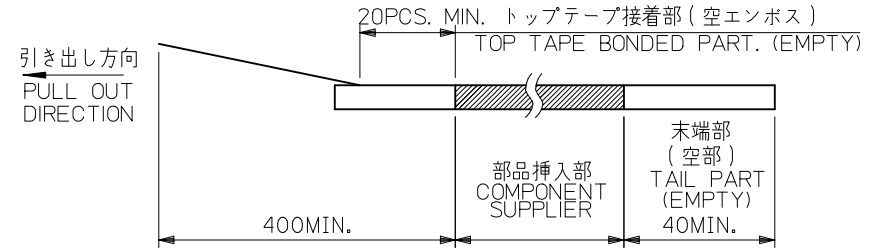
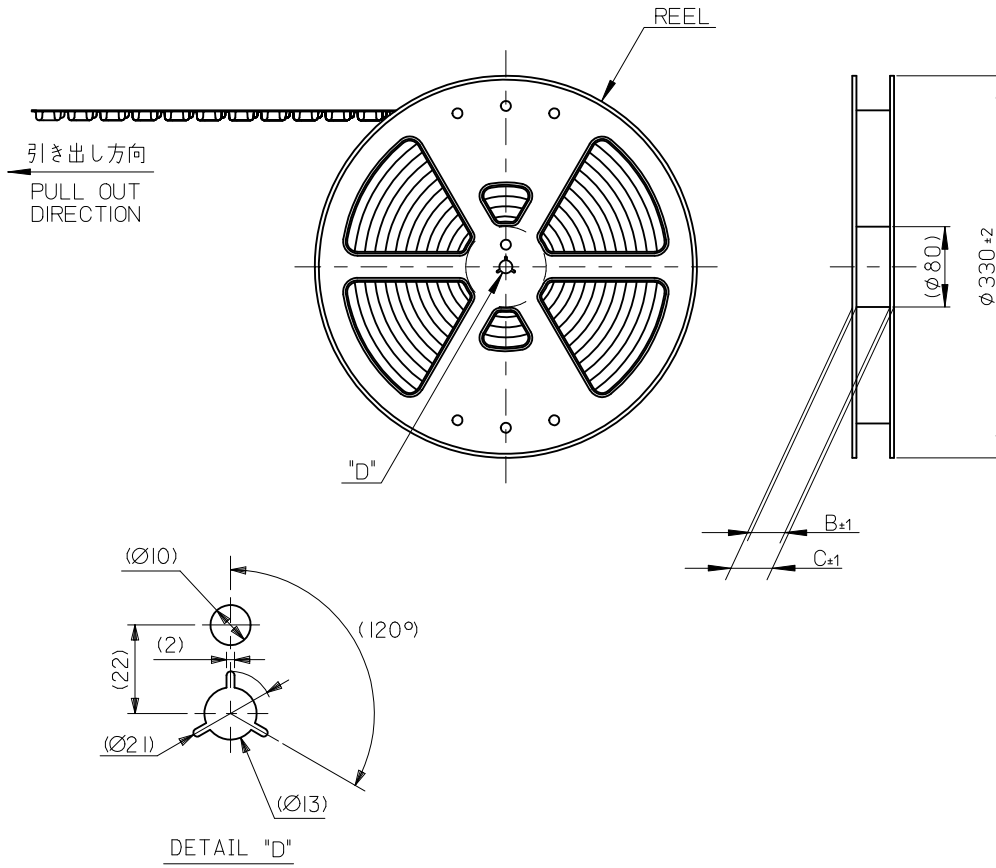
\*1 パターン引き回し、および半田禁止エリア  
(当該箇所においては、これと接する回路以外の配線を禁止する。  
また、接する回路を配線する場合はレジストを施し、この部分に  
半田は無きこととする。)

\*1 PROHIBITED AREA OF PATTERN WIRING AND SOLDER.  
(FOR EACH AREA, THE WIRING THAT TOUCHES ON THE SOLDER  
CAN BE ATTACHED, THEN COVERED WITH A FILM TO KEEP SOLDER OUT.)

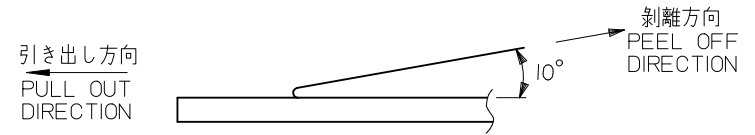
RELEASED	EC NO:	2010/09/10	GENERAL TOLERANCES (UNLESS SPECIFIED)		DIMENSION STYLE		SCALE	DESIGN UNITS	THIRD ANGLE PROJECTION	
	DRWN: NMAITO	2010/09/10	10 UNDER	± 0.2	MM ONLY		15:1	METRIC	□	
	CHKD: RTAKEUCHI	2010/09/10	10 OVER 30 UNDER	± 0.25	DRAWN BY	DATE	TITLE			
	APPR: MSASAO		30 OVER	± 0.3	RTAKEUCHI	2010/01/08	0.4 B-TO-B CONN. HGT=0.7 W=2.6 HI-RETENTION REC ASSY CHECKER TYPE			
REV	DESCRIPTION		ANGULAR	± 1 °	CHECKED BY	DATE	MOLEX INCORPORATED			
			DRAFT WHERE APPLICABLE MUST REMAIN WITHIN DIMENSIONS		APPROVED BY	DATE	DOCUMENT NO.			
					MSASAO	2010/01/08	SD-503548-007			
					MATERIAL NO.		SHEET NO.			
					SIZE	A3	2 OF 2			
THIS DRAWING CONTAINS INFORMATION THAT IS PROPRIETARY TO MOLEX INCORPORATED AND SHOULD NOT BE USED WITHOUT WRITTEN PERMISSION										

注記 NOTES

- 製品詳細寸法については製品単体図面を参照下さい。  
RE DETAILED DIMENSION, SEE PRODUCT DRAWING.
- 梱包数量: 3000 個/リール  
NUMBER OF CONNECTORS: 3000PCS/REEL
- リードテープ長さ LEAD TAPE LENGTH



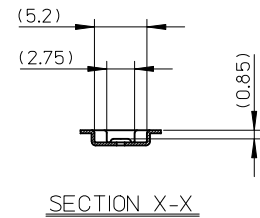
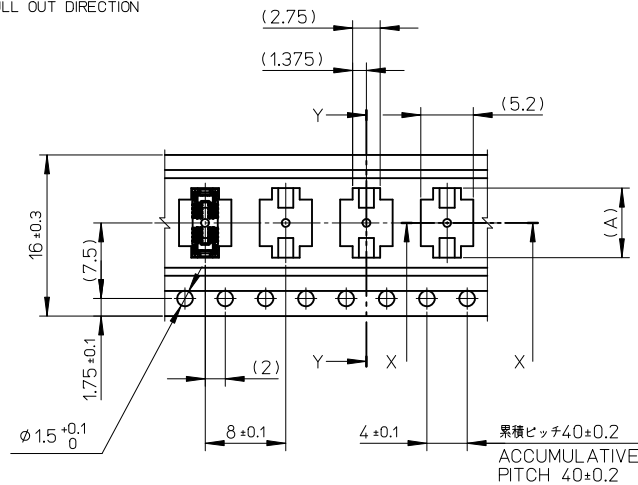
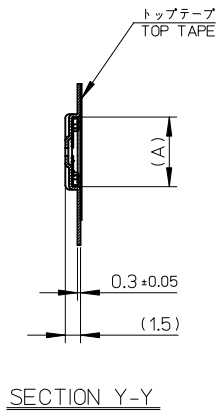
- トップテープの剥離強度: 0.1N~1.3N(10gf~130gf)  
(剥離方向は下図参照)  
尚、本規格値は出荷時に適用。(但し、輸送時に剥離が発生しないこと。)  
PEELING OFF FORCE OF TOP TAPE: 0.1N~1.3N(10gf~130gf)  
(PEELING DIRECTION AS SHOWN IN FOLLOWING FIG.)  
THIS REQUIREMENT SHOULD BE APPLIED AT SHIPMENT.  
PEEL OFF SHOULD NOT BE ALLOWED, DURING TRANSPORTION.



- 材料 MATERIAL  
キャリアテープ (CARRIER TAPE): ポリスチレン (POLYSTYRENE)  
トップテープ (TOP TAPE): PET, OTHER  
リール (REEL): ポリスチレン (PS) <リサイクル材を含む>  
POLYSTYRENE (PS) <RECYCLE MATERIAL CONTAINED>
- ELV 及び RoHS適合品  
ELV AND RoHS COMPLIANT

RELEASED EC NO: J2011-0380 DRAWN: DRWINNAITO 2010/09/10 CHECKED: CHKDR TAKEUCHI 2010/09/10 APPROVED: MSASAO	DESCRIPTION REV	GENERAL TOLERANCES (UNLESS SPECIFIED)		DIMENSION STYLE MM ONLY		SCALE	DESIGN UNITS METRIC	MODEL NO. 503548-**80	THIRD ANGLE PROJECTION
		10 UNDER	±---	DRAWN BY RTAKEUCHI	DATE 2010/02/08	TITLE 0.4 B-TO-B CONN. HGT=0.7 HI-RETENTION REC ASSY CHECKER TYPE EMBSTP PKG			
		10 OVER 30 UNDER	±---	CHECKED BY THIRATA	DATE 2010/02/08	MOLEX MOLEX INCORPORATED			
		30 OVER	±---	APPROVED BY MSASAO	DATE 2010/02/08	DOCUMENT NO. SD-503548-008			
ANGULAR ±---		DRAFT WHERE APPLICABLE MUST REMAIN WITHIN DIMENSIONS		MATERIAL NO. SEE CHART		SHEET NO. 1 OF 2		THIS DRAWING CONTAINS INFORMATION THAT IS PROPRIETARY TO MOLEX INCORPORATED AND SHOULD NOT BE USED WITHOUT WRITTEN PERMISSION	

引き出し方向  
PULL OUT DIRECTION



16mm 幅キャリアテープ  
16mm WIDTH CARRIER TAPE

16	21.4	17.4	6.5	503548-1880	18
			6.1	503548-1680	16
			5.7	503548-1480	14
			5.3	503548-1280	12
			4.1	503548-0680	6
キャリアテープ幅 CARRIER TAPE WIDTH			C	B	(A)
			MATERIAL No.		CKT.
			MODEL No.		503548-**80

RELEASED EC NO: J2011-0380 DRW: NAITO 2010/09/10 CHK: RTAKEUCHI 2010/09/10 APPR: MSASAO	DESCRIPTION REV: 0	GENERAL TOLERANCES (UNLESS SPECIFIED)		DIMENSION STYLE MM ONLY		SCALE	DESIGN UNITS METRIC	THIRD ANGLE PROJECTION		
		10 UNDER	±---	DRAWN BY	DATE	TITLE				
		10 OVER 30 UNDER	±---	RTAKEUCHI	2010/02/08	0.4 B-TO-B CONN. HGT=0.7 HI-RETENTION REC ASSY CHECKER TYPE EMBSTP PKG				
		30 OVER	±---	CHECKED BY	DATE	MOLEX INCORPORATED				
		ANGULAR	±---°	THIRATA	2010/02/08	MATERIAL No. DOCUMENT No.				
DRAFT WHERE APPLICABLE MUST REMAIN WITHIN DIMENSIONS		APPROVED BY		DATE	SEE CHART					
		MSASAO		2010/02/08	SD-503548-008					
		MATERIAL No.		SHEET No.						
		SIZE A3		THIS DRAWING CONTAINS INFORMATION THAT IS PROPRIETARY TO MOLEX INCORPORATED AND SHOULD NOT BE USED WITHOUT WRITTEN PERMISSION						