



Chipsmall Limited consists of a professional team with an average of over 10 year of expertise in the distribution of electronic components. Based in Hongkong, we have already established firm and mutual-benefit business relationships with customers from,Europe,America and south Asia,supplying obsolete and hard-to-find components to meet their specific needs.

With the principle of “Quality Parts,Customers Priority,Honest Operation,and Considerate Service”,our business mainly focus on the distribution of electronic components. Line cards we deal with include Microchip,ALPS,ROHM,Xilinx,Pulse,ON,Everlight and Freescale. Main products comprise IC,Modules,Potentiometer,IC Socket,Relay,Connector.Our parts cover such applications as commercial,industrial, and automotives areas.

We are looking forward to setting up business relationship with you and hope to provide you with the best service and solution. Let us make a better world for our industry!



Contact us

Tel: +86-755-8981 8866 Fax: +86-755-8427 6832

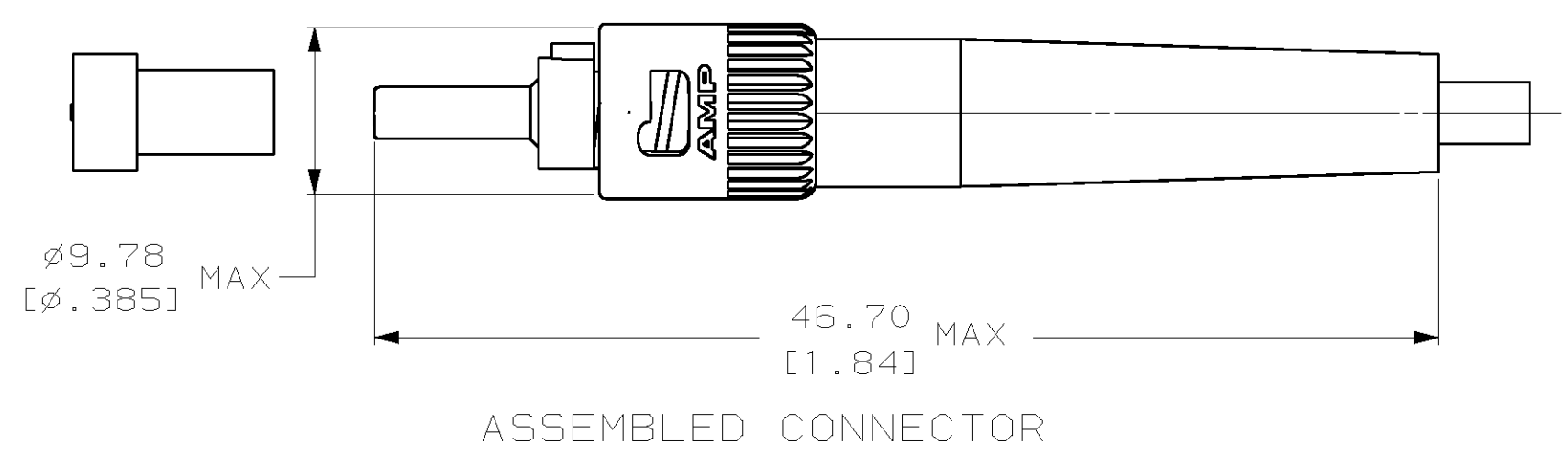
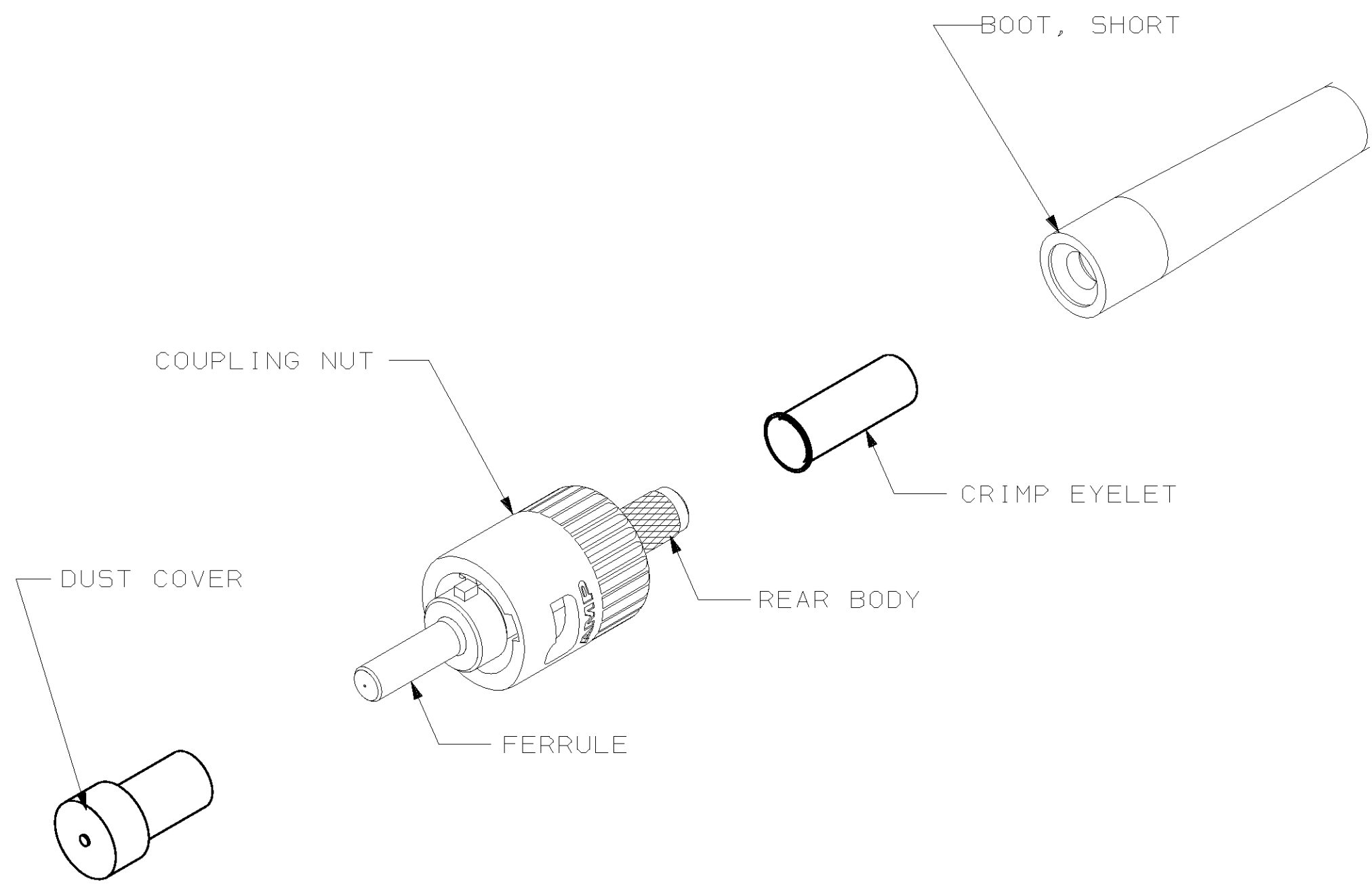
Email & Skype: info@chipsmall.com Web: www.chipsmall.com

Address: A1208, Overseas Decoration Building, #122 Zhenhua RD., Futian, Shenzhen, China



THIS DRAWING IS UNPUBLISHED. RELEASED FOR PUBLICATION .19
 (C) COPYRIGHT 19 BY AMP INCORPORATED. ALL RIGHTS RESERVED.

LOC	DIST	REVISIONS			
P	LTR	DESCRIPTION	DATE	DWN	APVD
CE	16	D	REV PER 0A00-0447-02	10MAY02	JWD SB



- 1 MATERIAL:
 DUST COVER: POLYOLEFIN, COLOR, BLACK
 FERRULE: CERAMIC, COLOR, WHITE
 COUPLING NUT: THERMOPLASTIC, COLOR, BLACK
 REAR BODY: THERMOPLASTIC, COLOR, BLACK
 CRIMP EYELET: COPPER ALLOY
 SHORT BOOT: POLYOLEFIN
- 2 FINISH:
 CRIMP EYELET: TIN PLATE
3. BULK PACKAGED

BLACK	125±2µm	503569-2
-	125±2µm	503569-1
COLOR SHORT BOOT	FIBER SIZE	PART NUMBER

THIS DRAWING IS A CONTROLLED DOCUMENT.		DWN J W DAVIS 10MAY02	AMP Incorporated Harrisburg, PA 17105-3608	
DIMENSIONS: MM [INCHES]		CHK S BUCHTER 10MAY02	 CONNECTOR KIT, BAYONET, CERAMIC OVERMOLD	
		APVD S BUCHTER 10MAY02		
TOLERANCES UNLESS OTHERWISE SPECIFIED:		PRODUCT SPEC	SIZE	CAGE CODE
0 PLC	±-	-	A2	00779
1 PLC	±-	-	SCALE	NTS
2 PLC	±-	-	SHEET	1 OF 1
3 PLC	±-	-	REV	D
4 PLC	±-	-	DRAWING NO. 503569	
ANGLES	±-	WEIGHT	RESTRICTED TO	
FINISH	2	CUSTOMER DRAWING		

503569