



Chipsmall Limited consists of a professional team with an average of over 10 year of expertise in the distribution of electronic components. Based in Hongkong, we have already established firm and mutual-benefit business relationships with customers from,Europe,America and south Asia,supplying obsolete and hard-to-find components to meet their specific needs.

With the principle of “Quality Parts,Customers Priority,Honest Operation,and Considerate Service”,our business mainly focus on the distribution of electronic components. Line cards we deal with include Microchip,ALPS,ROHM,Xilinx,Pulse,ON,Everlight and Freescale. Main products comprise IC,Modules,Potentiometer,IC Socket,Relay,Connector.Our parts cover such applications as commercial,industrial, and automotives areas.

We are looking forward to setting up business relationship with you and hope to provide you with the best service and solution. Let us make a better world for our industry!



Contact us

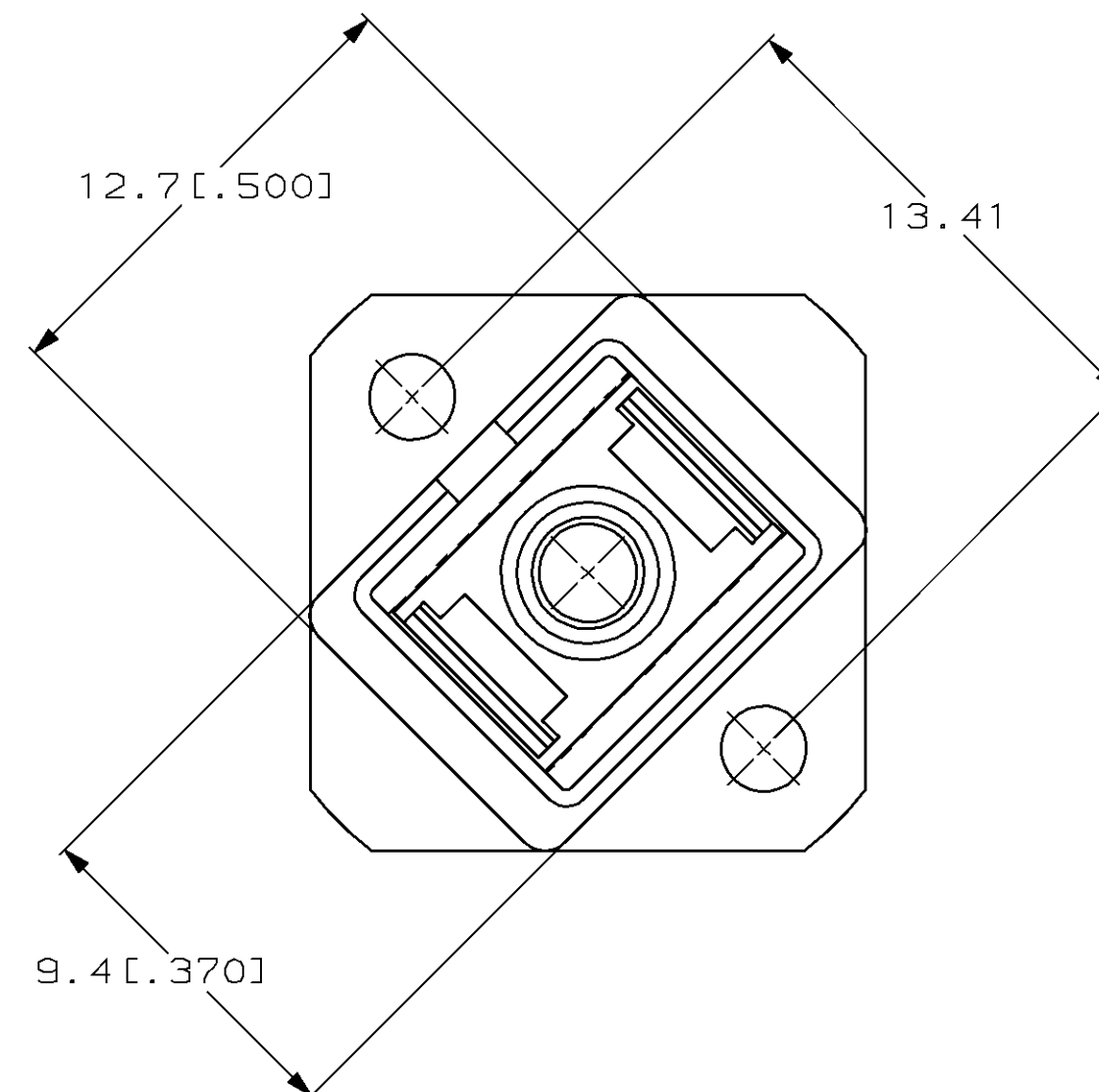
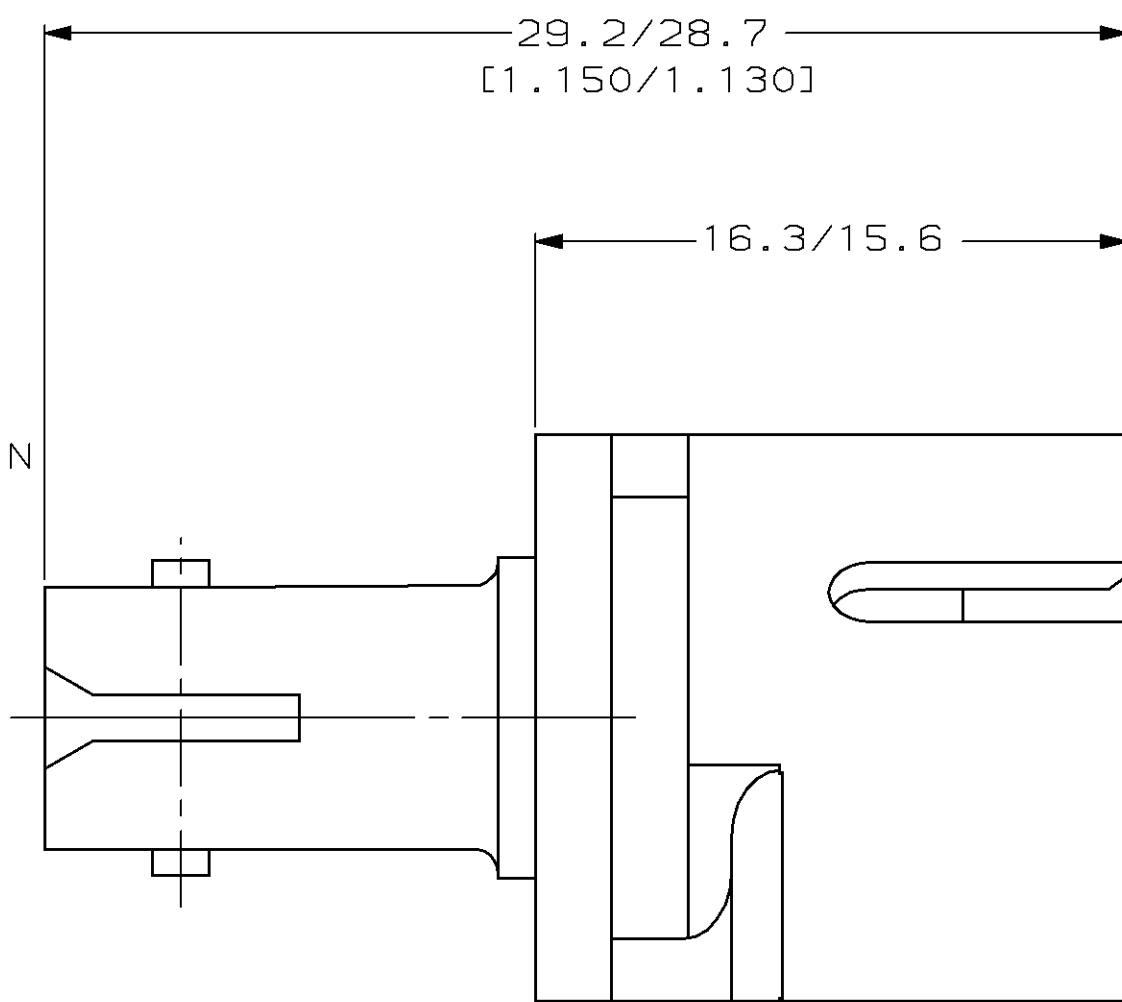
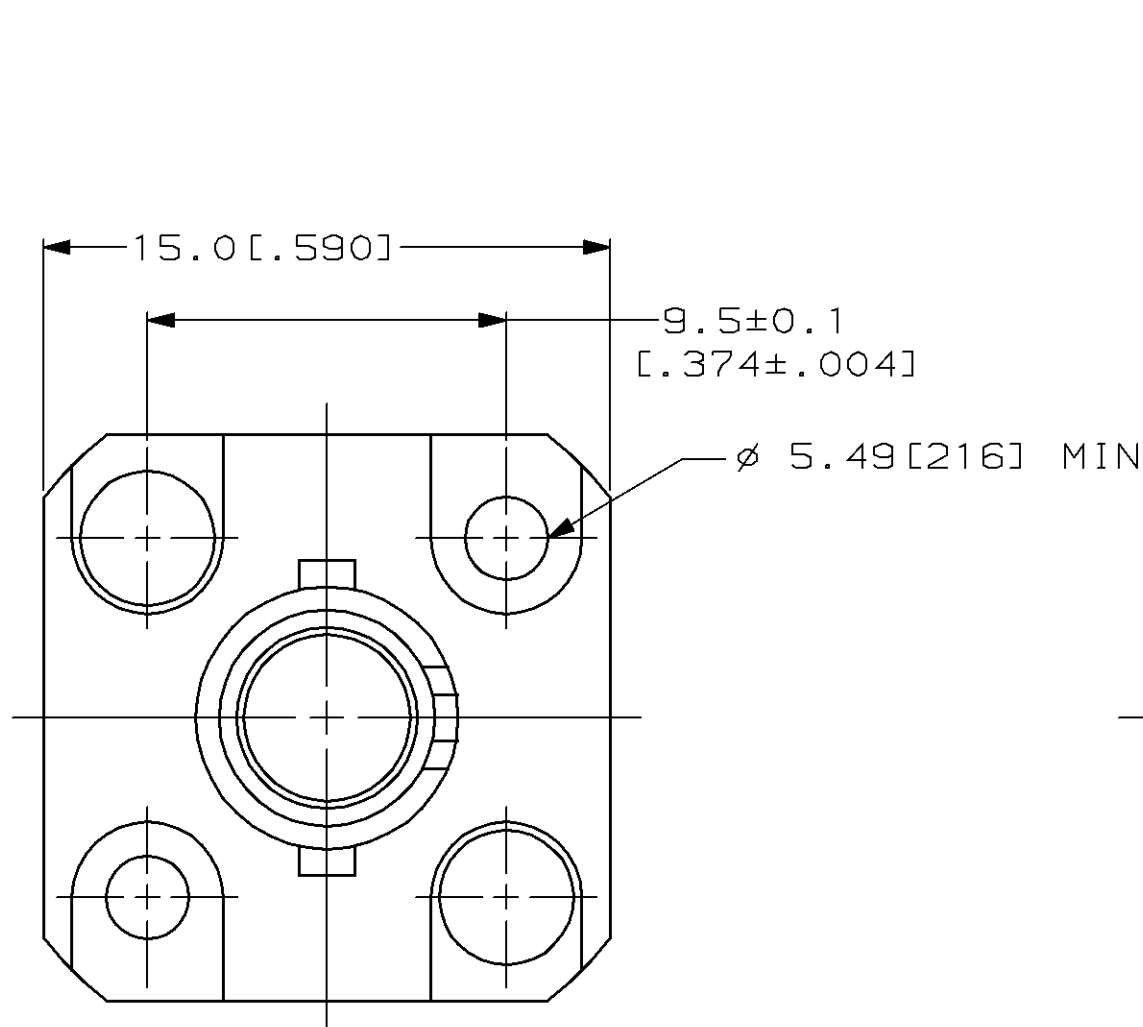
Tel: +86-755-8981 8866 Fax: +86-755-8427 6832

Email & Skype: info@chipsmall.com Web: www.chipsmall.com

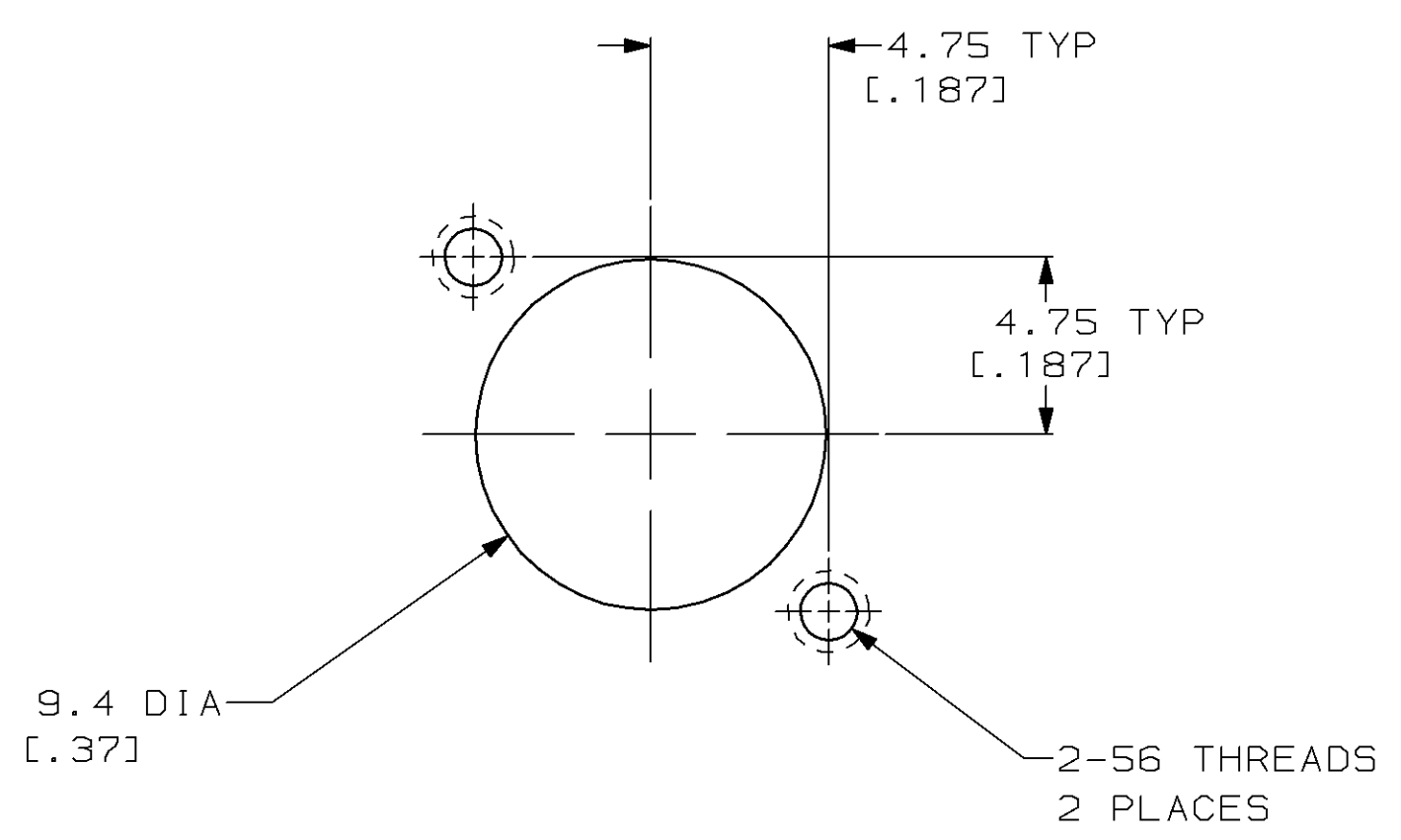
Address: A1208, Overseas Decoration Building, #122 Zhenhua RD., Futian, Shenzhen, China



LOC	DIST	P	F	ZONE	LTR	REVISIONS	DATE	APPD
CE	16							
					C	REVISE PER 0A00-0567-98	14OCT98	JM/SB



- 1 MATERIAL:
 BODY: ZINC DIECAST
 SLEEVE: METAL
 SLEEVE: CERAMIC
 DUST COVER: VINYL AND THERMOPLASTIC RUBBER
2. DUST COVERS NOT SHOWN.



RECOMMENDED MOUNTING PATTERN

METRIC

THIS DRAWING IS A CONTROLLED DOCUMENT FOR AMP INCORPORATED. IT IS SUBJECT TO CHANGE AND THE CONTROLLING ENGINEERING ORGANIZATION SHOULD BE CONTACTED FOR THE LATEST REVISION.

DO NOT SCALE PRINT. UNLESS SPECIFIED DIMENSIONS IN MM [INCHES]. TOLERANCES ON: 2 PLC DEC ± 0.13 [0.005] 3 PLC DEC ± - ANGLES ± -	DR 6-24-94 B.BRIGGS
MATERIAL	CHK 6-24-94 B.BRIGGS
	APPD 6-24-94 S.WILCOX
	APPD 6-24-94 D.STAKEM
FINISH	PRODUCT SPEC
BODY: NICKEL	APPLICATION SPEC
	WEIGHT -

CERAMIC	503638-2
METAL	503638-1
ALIGNMENT SLEEVE	PART NO
AMP AMP Incorporated Harrisburg, PA 17105-3608	
NAME ASSEMBLY, COUPLING BUSHING, 2.5mm BAYONET TO AMP SC	
SIZE	CAGE CODE
C	00779
DRAWING NO	G=503638
SCALE	SHEET
5:1	1 OF 1

CUSTOMER DRAWING