



Chipsmall Limited consists of a professional team with an average of over 10 year of expertise in the distribution of electronic components. Based in Hongkong, we have already established firm and mutual-benefit business relationships with customers from,Europe,America and south Asia,supplying obsolete and hard-to-find components to meet their specific needs.

With the principle of “Quality Parts,Customers Priority,Honest Operation,and Considerate Service”,our business mainly focus on the distribution of electronic components. Line cards we deal with include Microchip,ALPS,ROHM,Xilinx,Pulse,ON,Everlight and Freescale. Main products comprise IC,Modules,Potentiometer,IC Socket,Relay,Connector.Our parts cover such applications as commercial,industrial, and automotives areas.

We are looking forward to setting up business relationship with you and hope to provide you with the best service and solution. Let us make a better world for our industry!



Contact us

Tel: +86-755-8981 8866 Fax: +86-755-8427 6832

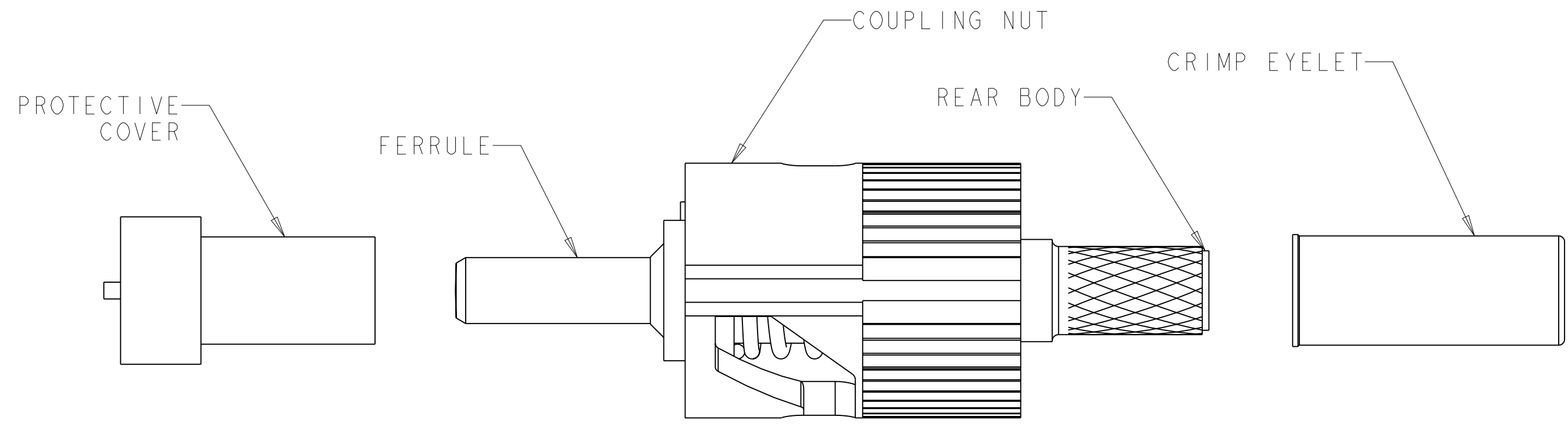
Email & Skype: info@chipsmall.com Web: www.chipsmall.com

Address: A1208, Overseas Decoration Building, #122 Zhenhua RD., Futian, Shenzhen, China



THIS DRAWING IS UNPUBLISHED. RELEASED FOR PUBLICATION 20
 © COPYRIGHT 20 BY TYCO ELECTRONICS CORPORATION. ALL RIGHTS RESERVED.

LOC	DIST	REVISIONS					
CE	00	P	LTR	DESCRIPTION	DATE	DWN	APVD
		G		REV PER ECN 0A00-0287-04	08JUN2004	DEH	SAB
		H		REVISE PER ECR-05-010753	12SEPT2005	BB	SB



1. MATERIAL:
 PROTECTIVE COVER: LDPE, COLOR: BLACK, NON-FR
 CONNECTOR ASSEMBLY:
 COUPLING NUT: SEE TABLE
 FERRULE ASSEMBLY: CERAMIC/ARP-GF30, COLOR: BLACK*
 SPRING: STAINLESS STEEL
 RETENTION RING: STAINLESS STEEL
 CRIMP EYELET: TIN PLATED COPPER
 *UL94 V-0 RATED AT QUALIFYING THICKNESS.

2. BULK PACKAGED

-	ZINC	125±2µm	503676-5
-	POLYMER	125±2µm	503676-4
I	ZINC	125±2µm	503676-1
CRIMP EYELET	COUPLING NUT	FIBER SIZE	PART NUMBER

<small>THIS DRAWING IS A CONTROLLED DOCUMENT FOR TYCO ELECTRONICS CORPORATION IT IS SUBJECT TO CHANGE AND THE CONTROLLING ENGINEERING ORGANIZATION SHOULD BE CONTACTED FOR THE LATEST REVISION.</small>		DWN D E HODGE 08JUN04 CHK E HOPKINS 08JUN04 APVD S BUCHTER 08JUN04	tyco Electronics Tyco Electronics Harrisburg, PA 17105-3608
DIMENSIONS: INCHES 	TOLERANCES UNLESS OTHERWISE SPECIFIED: 0 PLC ± 1 PLC ± 2 PLC ± 3 PLC ± 4 PLC ± ANGLES ±	PRODUCT SPEC - APPLICATION SPEC - WEIGHT -	NAME KIT, CONNECTOR, OVERMOLDED CERAMIC MULTIMODE, BAYONET SIZE A2 CAGE CODE 00779 DRAWING NO C=503676 RESTRICTED TO - SCALE 6:1 SHEET 1 OF 1 REV H
MATERIAL	1	CUSTOMER DRAWING	