



Chipsmall Limited consists of a professional team with an average of over 10 year of expertise in the distribution of electronic components. Based in Hongkong, we have already established firm and mutual-benefit business relationships with customers from,Europe,America and south Asia,supplying obsolete and hard-to-find components to meet their specific needs.

With the principle of “Quality Parts,Customers Priority,Honest Operation,and Considerate Service”,our business mainly focus on the distribution of electronic components. Line cards we deal with include Microchip,ALPS,ROHM,Xilinx,Pulse,ON,Everlight and Freescale. Main products comprise IC,Modules,Potentiometer,IC Socket,Relay,Connector.Our parts cover such applications as commercial,industrial, and automotives areas.

We are looking forward to setting up business relationship with you and hope to provide you with the best service and solution. Let us make a better world for our industry!



Contact us

Tel: +86-755-8981 8866 Fax: +86-755-8427 6832

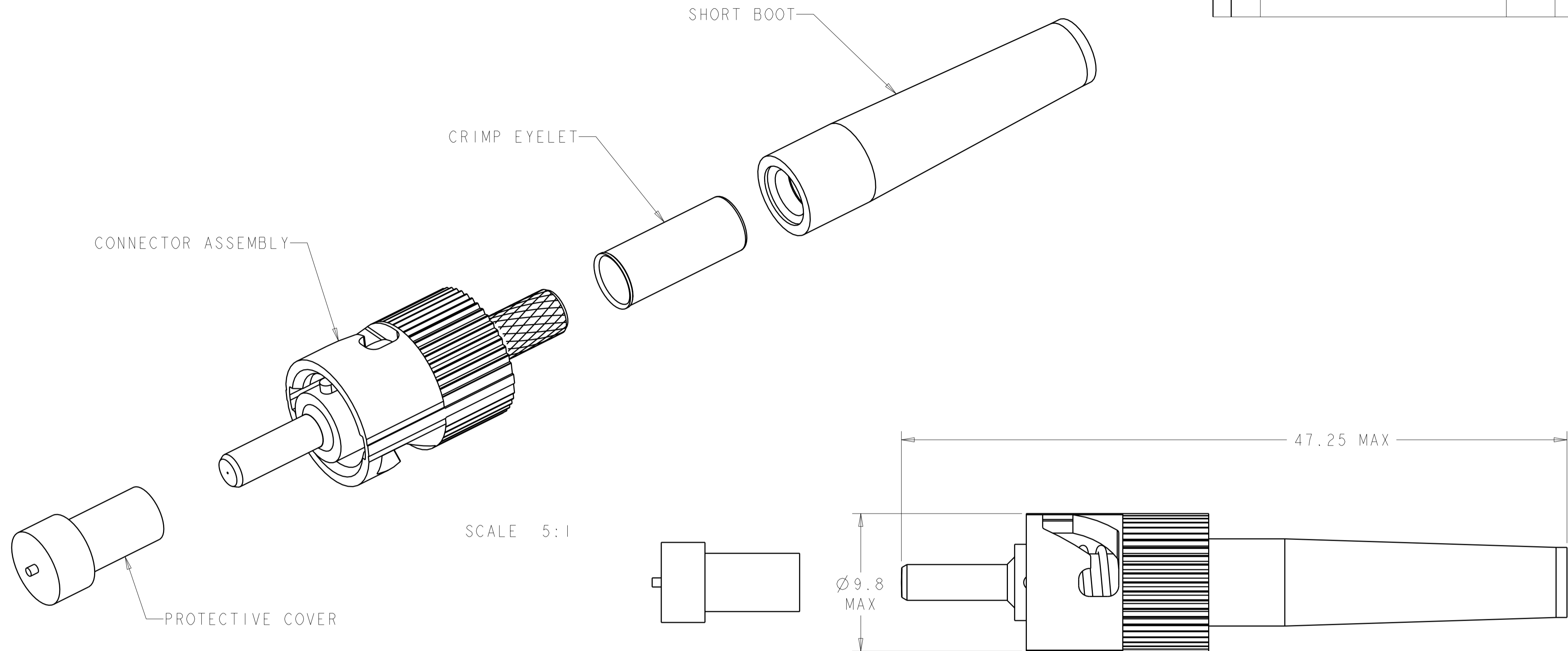
Email & Skype: info@chipsmall.com Web: www.chipsmall.com

Address: A1208, Overseas Decoration Building, #122 Zhenhua RD., Futian, Shenzhen, China



THIS DRAWING IS UNPUBLISHED. RELEASED FOR PUBLICATION 20
 © COPYRIGHT 20 BY TYCO ELECTRONICS CORPORATION. ALL RIGHTS RESERVED.

LOC	DIST	REVISIONS			
P	LTR	DESCRIPTION	DATE	DWN	APVD
CE	00	F	REVISE PER 0A00-0122-05	18MAR2005	BB SB
		FI	ADD NOTE 3	06MAR09	JZ RZ



1 MATERIAL:
 PROTECTIVE COVER: LDPE, COLOR: BLACK, NON-FR.
 CONNECTOR ASSEMBLY
 FERRULE ASSEMBLY: CERAMIC/ARP-GF30, COLOR: BLACK.*
 SPRING: STAINLESS STEEL.
 COUPLING NUT: ZINC.
 RETENTION RING: STAINLESS STEEL.
 CRIMP EYELET: TIN PLATED COPPER.
 SHORT BOOT: TPE, COLOR: BLACK.*
 *UL94 V-0 RATED AT QUALIFYING THICKNESS.

2 BULK PACKAGED.

3. INSTRUCTION SHEET: 408-9971 AVAILABLE FOR DOWNLOAD AT
www.tycoelectronics.com/documents OR www.ampnetconnect.com/foguide.

125um	503677-2
125um	503677-1
FIBER SIZE	PART NUMBER

THIS DRAWING IS A CONTROLLED DOCUMENT FOR TYCO ELECTRONICS CORPORATION. IT IS SUBJECT TO CHANGE AND THE CONTROLLING ENGINEERING ORGANIZATION SHOULD BE CONTACTED FOR THE LATEST REVISION.		DWN B. BRIGGS 18MAR2005	Tyco Electronics Corporation Shanghai, China	
DIMENSIONS: mm		CHK S. BUCHTER 18MAR2005	NAME CONNECTOR KIT, OVERMOLDED CERAMIC, WITH METAL NUT, BAYONET	
TOLERANCES UNLESS OTHERWISE SPECIFIED: 0 PLC ± 1 PLC ± 2 PLC ± 3 PLC ± 4 PLC ± ANGLES ± FINISH		APVD S. BUCHTER 18MAR2005	SIZE A200779	
MATERIAL		PRODUCT SPEC -	DRAWING NO 503677	
		APPLICATION SPEC -	RESTRICTED TO -	
		WEIGHT -	SCALE 5:1 SHEET 1 OF 1 REV FI	
		CUSTOMER DRAWING		