



Chipsmall Limited consists of a professional team with an average of over 10 year of expertise in the distribution of electronic components. Based in Hongkong, we have already established firm and mutual-benefit business relationships with customers from,Europe,America and south Asia,supplying obsolete and hard-to-find components to meet their specific needs.

With the principle of “Quality Parts,Customers Priority,Honest Operation,and Considerate Service”,our business mainly focus on the distribution of electronic components. Line cards we deal with include Microchip,ALPS,ROHM,Xilinx,Pulse,ON,Everlight and Freescale. Main products comprise IC,Modules,Potentiometer,IC Socket,Relay,Connector.Our parts cover such applications as commercial,industrial, and automotives areas.

We are looking forward to setting up business relationship with you and hope to provide you with the best service and solution. Let us make a better world for our industry!



Contact us

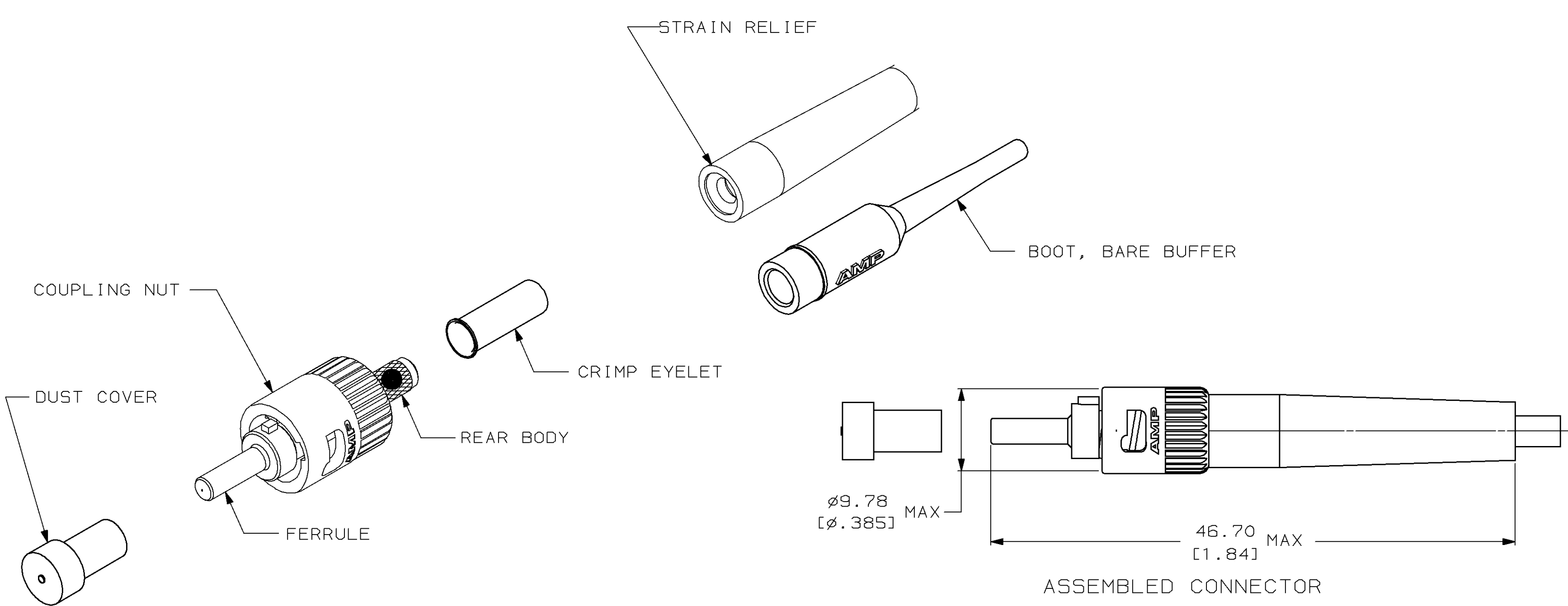
Tel: +86-755-8981 8866 Fax: +86-755-8427 6832

Email & Skype: info@chipsmall.com Web: www.chipsmall.com

Address: A1208, Overseas Decoration Building, #122 Zhenhua RD., Futian, Shenzhen, China



LOC	DIST	P	F	ZONE	LTR	DESCRIPTION	DATE	APPD
CE	16				E	REV PER 0A00-0317-98	16JUN98	JPM



1 MATERIAL:
 DUST COVER: POLYOLEFIN, COLOR, BLACK
 FERRULE: CERAMIC
 COUPLING NUT: ZINC
 REAR BODY: THERMOPLASTIC, COLOR, BLACK
 CRIMP EYELET: COPPER ALLOY

2 FINISH:
 CRIMP EYELET: TIN PLATE
 COUPLING NUT: NICKEL PLATED

3 STRAIN RELIEF: POLYOLEFIN, COLOR, BLACK

4 BARE BUFFER BOOT: THERMOPLASTIC ELASTOMER

5 BULK PACKAGED

5	BARE BUFFER BOOT	125±2µm	503677-3
5	STRN RELIEF W/EYELET	125±2µm	503677-2
5	STRN RELIEF W/EYELET	125±2µm	503677-1
	STRAIN RELIEF STYLE	FIBER SIZE	PART NUMBER

DO NOT SCALE PRINT. UNLESS SPECIFIED DIMENSIONS IN mm [INCHES] TOLERANCES ON: 2 PLC DEC ± — 3 PLC DEC ± — ANGLES ± —	DR 5-13-93 P YEAGER	AMP INCORPORATED Harrisburg, Pa. 17105	
MATERIAL	CHK 5-13-93 S BUCHTER		
FINISH	APPD 5-13-93 S BUCHTER	CONNECTOR KIT, BAYONET CERAMIC OVERMOLD	
	APPD 5-13-93 K MONROE		
	PRODUCT SPEC	FSCM NO	DRAWING NO
	APPLICATION SPEC	C 00779	503677
	WEIGHT	SCALE NTS	SHEET 1 OF 1

METRIC