



Chipsmall Limited consists of a professional team with an average of over 10 year of expertise in the distribution of electronic components. Based in Hongkong, we have already established firm and mutual-benefit business relationships with customers from,Europe,America and south Asia,supplying obsolete and hard-to-find components to meet their specific needs.

With the principle of “Quality Parts,Customers Priority,Honest Operation,and Considerate Service”,our business mainly focus on the distribution of electronic components. Line cards we deal with include Microchip,ALPS,ROHM,Xilinx,Pulse,ON,Everlight and Freescale. Main products comprise IC,Modules,Potentiometer,IC Socket,Relay,Connector.Our parts cover such applications as commercial,industrial, and automotives areas.

We are looking forward to setting up business relationship with you and hope to provide you with the best service and solution. Let us make a better world for our industry!



Contact us

Tel: +86-755-8981 8866 Fax: +86-755-8427 6832

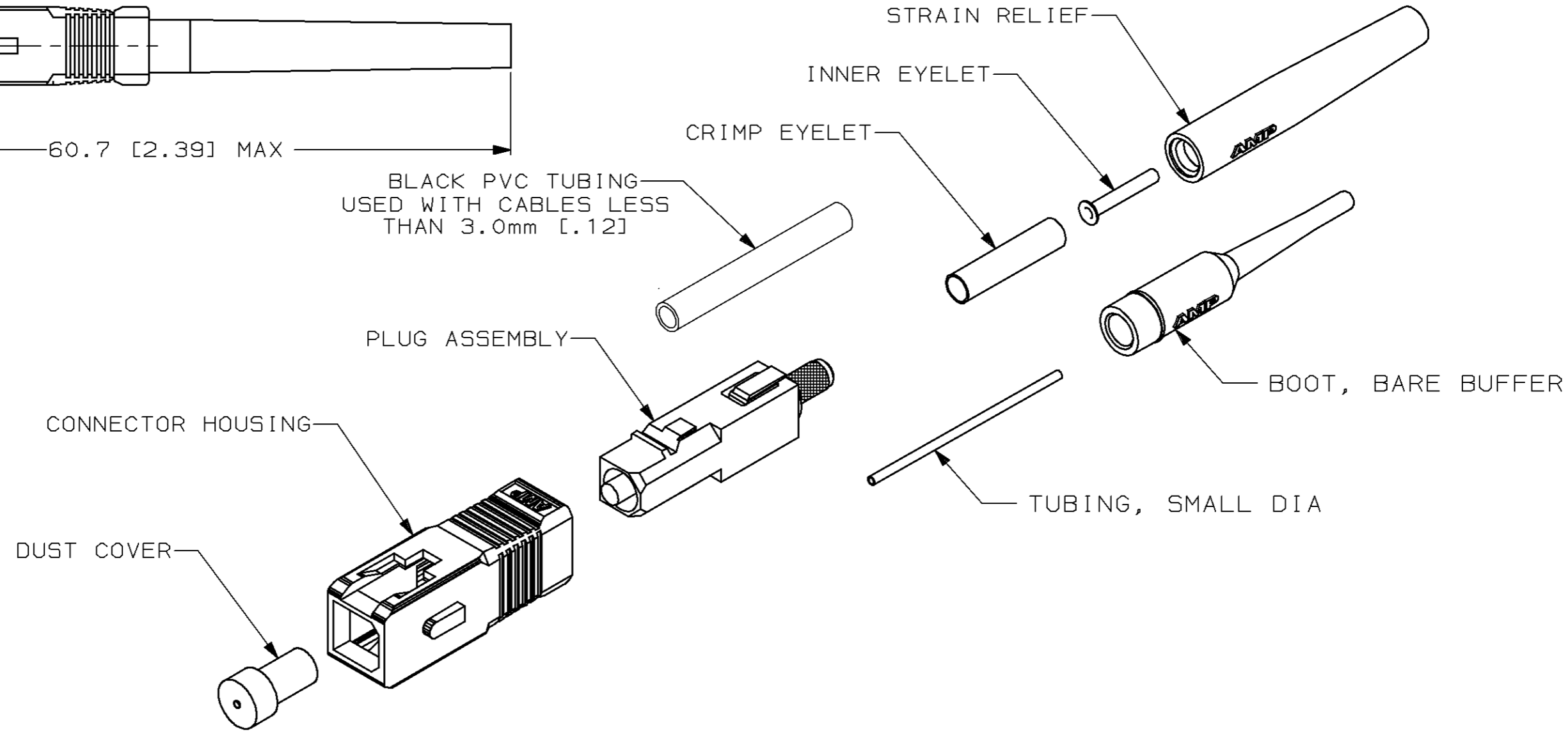
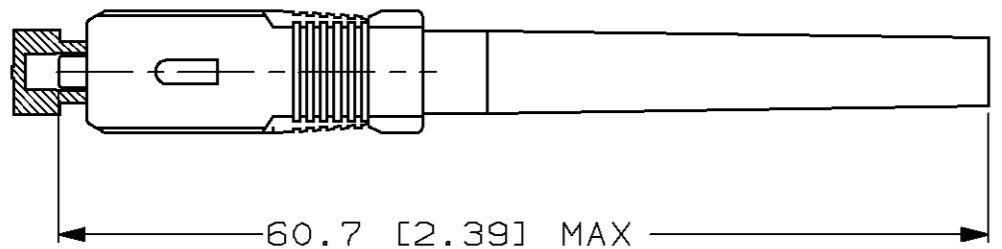
Email & Skype: info@chipsmall.com Web: www.chipsmall.com

Address: A1208, Overseas Decoration Building, #122 Zhenhua RD., Futian, Shenzhen, China



THIS DRAWING IS UNPUBLISHED. RELEASED FOR PUBLICATION ,19 .
 © COPYRIGHT 19 BY AMP INCORPORATED. ALL RIGHTS RESERVED.

LOC	DIST	REVISIONS			
P	LTR	DESCRIPTION	DATE	DWN	APVD
CE	16	D	REV PER 0A00-0503-95	12-4-95	DDE SB



- 1 MATERIAL:
 PLUG BODY: THERMOPLASTIC, BEIGE
 CONNECTOR HOUSING: THERMOPLASTIC, BEIGE
 INTERNAL BODY: ZINC
 CRIMP EYELET: COPPER
 INNER EYELET: BRASS
 STRAIN RELIEF/BOOT: THERMOPLASTIC ELASTOMER, BEIGE
 CAPILLARY: ZrO₂
- 2 FINISH:
 INTERNAL BODY: ELECTROLESS NICKEL
 CRIMP EYELET: TIN

4. INSTRUCTION SHEET #408-4066

<small>THIS DRAWING IS A CONTROLLED DOCUMENT FOR AMP INCORPORATED. IT IS SUBJECT TO CHANGE AND THE CONTROLLING ENGINEERING ORGANIZATION SHOULD BE CONTACTED FOR THE LATEST REVISION.</small>	
DIMENSIONS:	TOLERANCES UNLESS OTHERWISE SPECIFIED:
mm	
	0 PLC ±-
	1 PLC ±-
	2 PLC ±0.13 [.005]
	3 PLC ±-
	4 PLC ±-
	ANGLES ±1°
MATERIAL	FINISH
-	-

DWN	6-27-94
CHK	D ERDMAN
APVD	6-27-94
PRODUCT SPEC	J MCKEE
APPLICATION SPEC	6-27-94
WEIGHT	B EDWARDS
CUSTOMER DRAWING	-

125±2µm		503692-1
FIBER SIZE		PART NO
AMP Incorporated Harrisburg, PA 17105-3608		
NAME		
KIT, CONNECTOR, AMP LightCrimp SC SIMPLEX, MULTIMODE		
SIZE	CAGE CODE	DRAWING NO
A3	00779	C-503692
SCALE	SHEET	OF 1 REV
2:1	1	D

3. DIMENSIONS IN [] ARE IN INCHES.