



Chipsmall Limited consists of a professional team with an average of over 10 year of expertise in the distribution of electronic components. Based in Hongkong, we have already established firm and mutual-benefit business relationships with customers from,Europe,America and south Asia,supplying obsolete and hard-to-find components to meet their specific needs.

With the principle of “Quality Parts,Customers Priority,Honest Operation,and Considerate Service”,our business mainly focus on the distribution of electronic components. Line cards we deal with include Microchip,ALPS,ROHM,Xilinx,Pulse,ON,Everlight and Freescale. Main products comprise IC,Modules,Potentiometer,IC Socket,Relay,Connector.Our parts cover such applications as commercial,industrial, and automotives areas.

We are looking forward to setting up business relationship with you and hope to provide you with the best service and solution. Let us make a better world for our industry!



Contact us

Tel: +86-755-8981 8866 Fax: +86-755-8427 6832

Email & Skype: info@chipsmall.com Web: www.chipsmall.com

Address: A1208, Overseas Decoration Building, #122 Zhenhua RD., Futian, Shenzhen, China



THIS DRAWING IS UNPUBLISHED. RELEASED FOR PUBLICATION 20
 © COPYRIGHT 20 BY - ALL RIGHTS RESERVED.

LOC	DIST	REVISIONS					
CE	00	P	LTR	DESCRIPTION	DATE	DWN	APVD
		AA		REVISED PER ECR 11-020518	24OCT2011	DLF	SB

PART NUMBER	CONNECTOR TYPE	
503746-1	ST STYLE	
503746-2	FSMA	OBSOLETE
503746-3	FC STYLE	SUPERSEDED BY 503746-7
503746-4	D4 TYPE	OBSOLETE
503746-5	AMP SC	SUPERSEDED BY 503746-7
503746-6	FSD	
503746-7	FC/SC	

- ① BLACK POLISHING BUSHING, ITEM 17, IS USED WITH STAINLESS STEEL AND CERAMIC FERRULES ONLY.
- ② BEIGE POLISHING BUSHING, ITEM 18, IS USED WITH POLYMER FERRULES ONLY.
- ③ DIE SET, ITEM 35, TO BE USED TO CRIMP ST, FSMA & D4 504XXX SERIES CONNECTORS ONLY.
- ④ AMP INSTRUCTION SHEETS AND MANUFACTURERS INSTRUCTION SHEETS.
- ⑤ OPTIONAL SHOULDER STRAP.

SUPERSEDED BY 503746-7
 OBSOLETE
 SUPERSEDED BY 503746-7
OBSOLETE

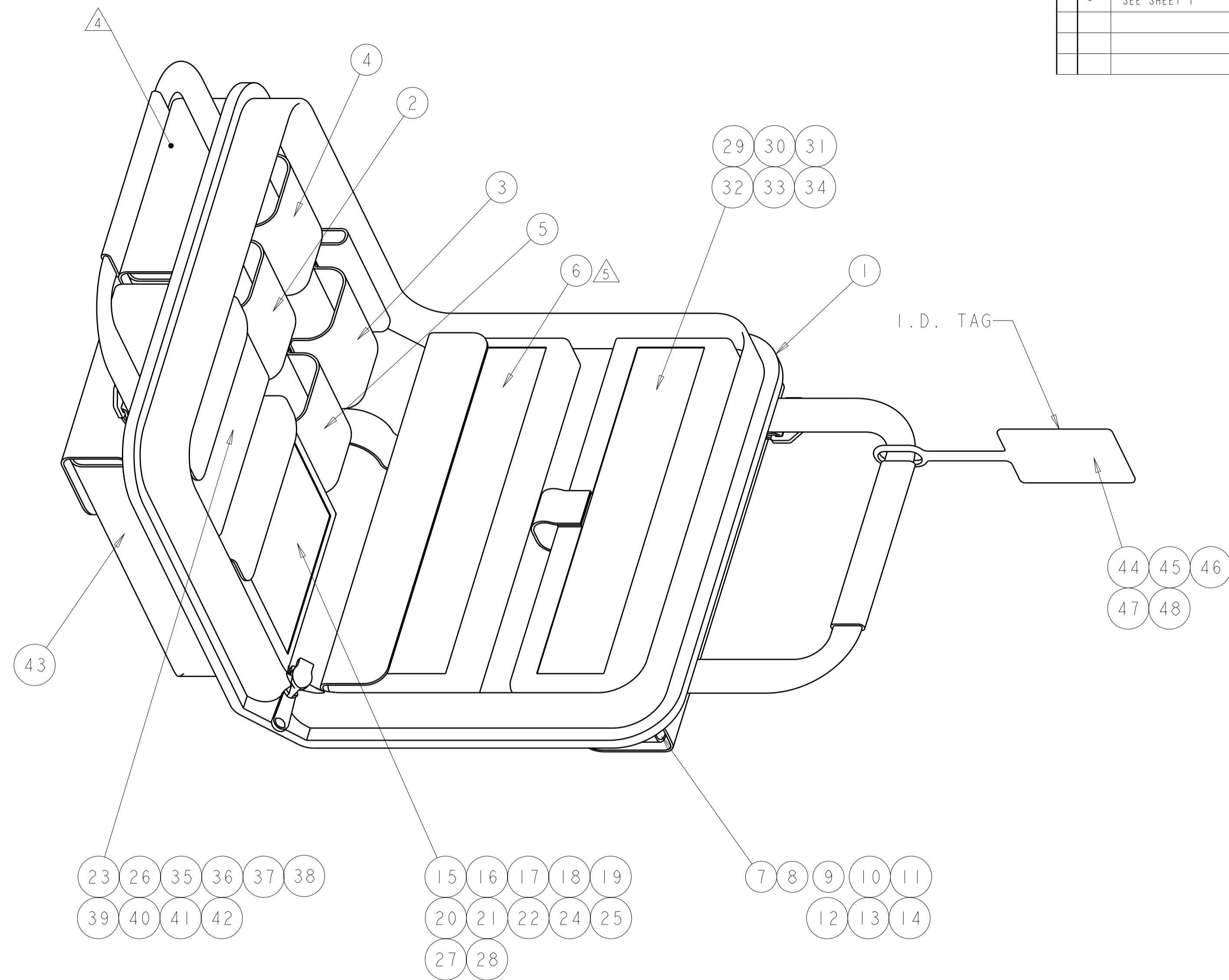
1	-	-	-	-	-	905111-7	LABEL, FC/SC	48	
-	1	-	-	-	-	905111-6	LABEL, FSD	47	
-	-	-	1	-	-	905111-4	LABEL, D4 TYPE	46	
-	-	-	-	-	1	905111-2	LABEL, FSMA	45	
-	-	-	-	-	1	905111-1	LABEL, ST STYLE	44	
-	4	-	-	-	-	502023-1	ASSY FIXTURE KIT, FSD	43	
1	-	-	-	-	-	492215-1	STRIP CARD, SC/FC POLY	42	
1	-	-	-	-	-	1754636-1	STRIP CARD, FC/SC	41	
-	-	-	1	-	-	492117-1	STRIP CARD, D4	40	
-	1	-	-	-	-	503479-1	STRIP CARD, FSD, POLY	39	
-	1	-	-	-	-	502241-1	STRIP CARD, FSD	38	
-	-	-	-	-	1	501813-1	STRIP CARD, FSMA	37	
-	-	-	-	-	1	502791-1	STRIP CARD, ST STYLE	36	
-7	-6	-5	-4	-3	-2	-1	PART NUMBER	DESCRIPTION	ITEM NO

-	-	-	-	-	-	1	501814-1	STRIP CARD, ST STYLE	35
1	-	-	-	-	-	-	492025-1	FC/SC DIE SET	34
③	-	-	-	1	-	1	58552-1	HEX DIE SET	33
-	1	-	-	-	-	-	58510-1	FSD DIE ASSEMBLY	32
-	-	1	-	1	-	1	58424-1	DIE SET ASSEMBLY	31
1	-	-	-	-	-	-	58588-1	HAND TOOL FRAME (BLUE)	30
-	1	1	1	1	1	1	1976850-1	HAND TOOL FRAME (BLACK)	29
-	-	-	12	-	-	-	492119-1	CURING SLEEVE, D4	28
10	-	10	-	-	-	-	502656-1	CURING SLEEVE, AMP SC	27
12	-	-	-	12	-	-	502862-2	CURING SLEEVE, FC	26
-	-	-	-	-	3	-	502248-2	CURING SLEEVE, FSMA	25
-	-	-	-	-	-	3	502259-2	CURING SLEEVE, ST STYLE	24
10	-	-	10	10	-	10	501857-2	ALCOHOL WIPE	23
-	1	-	-	-	-	-	501791-1	POLISH BUSH, FSD	22
10	-	10	-	-	-	-	502631-1	POLISH BUSH, AMP SC	21
1	-	-	-	1	-	-	504862-1	POLISH BUSH, FC STYLE	20
-	-	-	1	-	-	-	504741-1	POLISH BUSH, D4 TYPE	19
-	-	-	-	-	1	-	228025-1	POLISH BUSH, FSMA	18
②	-	-	-	-	-	1	503304-2	POLISH BUSH, ST STYLE	17
①	-	-	-	-	-	1	503304-1	POLISH BUSH, ST STYLE	16
10	6	10	6	6	6	6	501473-3	EPOXY APPLICATOR	15
10	10	-	1	1	10	10	228433-7	POLISHING FILM, 1µm	14
5	-	-	-	-	-	-	502748-2	POLISHING FILM, FINAL	13
10	10	1	1	1	10	10	228433-5	POLISHING FILM, 0.3µm	12
10	10	1	1	1	10	10	228433-8	POLISHING FILM, 5µm	11
-	-	1	1	-	10	-	228433-9	POLISHING FILM, 15µm	10
3	-	3	3	3	-	3	501858-1	POLISHING PAD, GREEN	9
-	3	-	-	-	-	1	501523-1	POLISHING PAD, WHITE	8
1	1	1	1	1	1	1	501197-1	POLISHING PLATE	7
1	1	1	1	1	1	1	504064-1	SCRIBE TOOL	6
1	1	1	1	1	1	1	1278637-1	KEVLAR SHEARS	5
1	1	1	1	1	1	1	501205-1	WATER BOTTLE	4
1	1	1	1	1	1	1	504024-3	FIBER STRIPPER, .012	3
1	1	1	1	1	1	1	1754708-1	STRIP TOOL, COMBINATION	2
1	1	1	1	1	1	1	1278540-1	PREMIUM SOFTCASE	1
-7	-6	-5	-4	-3	-2	-1	PART NUMBER	DESCRIPTION	ITEM NO

THIS DRAWING IS A CONTROLLED DOCUMENT.		DWN P. YEAGER 09AUG94	STE TE Connectivity
DIMENSIONS: mm		CHK J. SABO 10AUG94	
TOLERANCES UNLESS OTHERWISE SPECIFIED:		APVD K. MONROE 10AUG94	
0 PLC ± 1 PLC ± 2 PLC ± 3 PLC ± 4 PLC ± ANGLES ± MATERIAL FINISH		NAME TERMINATION KIT, OPTIMATE	
MATERIAL		PRODUCT SPEC	SIZE A2
		APPLICATION SPEC	CAGE CODE 00779
		WEIGHT	DRAWING NO 503746
		CUSTOMER DRAWING	RESTRICTED TO
		SCALE 1:2	SHEET 1 OF 2
			REV AA

THIS DRAWING IS UNPUBLISHED. RELEASED FOR PUBLICATION 20
 © COPYRIGHT 20 BY - ALL RIGHTS RESERVED.

LOC	DIST	REVISIONS					
CE	00	P	LTR	DESCRIPTION	DATE	DWN	APVD
		-		SEE SHEET 1			



THIS DRAWING IS A CONTROLLED DOCUMENT.		DWN P. YEAGER 09AUG94	STE TE Connectivity	
DIMENSIONS: mm		CHK J. SABO 10AUG94		
TOLERANCES UNLESS OTHERWISE SPECIFIED:		APVD K. MONROE 10AUG94	NAME TERMINATION KIT, OPTIMATE	
0 PLC ± 1 PLC ± 2 PLC ± 3 PLC ± 4 PLC ±		PRODUCT SPEC -	SIZE -	
ANGLES ± FINISH		APPLICATION SPEC -	CAGE CODE A200779	
MATERIAL -		WEIGHT -	DRAWING NO C-503746	
		CUSTOMER DRAWING	RESTRICTED TO -	
		SCALE 1:2	SHEET 2 OF 2 REV AA	