

Chipsmall Limited consists of a professional team with an average of over 10 year of expertise in the distribution of electronic components. Based in Hongkong, we have already established firm and mutual-benefit business relationships with customers from,Europe,America and south Asia,supplying obsolete and hard-to-find components to meet their specific needs.

With the principle of “Quality Parts,Customers Priority,Honest Operation,and Considerate Service”,our business mainly focus on the distribution of electronic components. Line cards we deal with include Microchip,ALPS,ROHM,Xilinx,Pulse,ON,Everlight and Freescale. Main products comprise IC,Modules,Potentiometer,IC Socket,Relay,Connector.Our parts cover such applications as commercial,industrial, and automotives areas.

We are looking forward to setting up business relationship with you and hope to provide you with the best service and solution. Let us make a better world for our industry!



Contact us

Tel: +86-755-8981 8866 Fax: +86-755-8427 6832

Email & Skype: info@chipsmall.com Web: www.chipsmall.com

Address: A1208, Overseas Decoration Building, #122 Zhenhua RD., Futian, Shenzhen, China

LOC		DIST		REVISIONS				DATE	APPD
ZONE	LTR	DESCRIPTION	DATE	APPD					
CE	16					REV PER 0A00-0318-96	7-8-96	DDE	

- ① CONNECTOR ASSY: AL, SST
 BOOT: THERMOPLASTIC ELASTOMER
 STEPPED SLEEVE: BRASS/COPPER
 PLUNGER: AL
- ② STEPPED SLEEVE: Ni
- 3. ALL PART NO'S ARE BULK PACKAGED
 100 PCS/BAG

TUBING, TYGON
 (-1 ONLY)
 AVAILABLE SEPERATELY IN
 BULK PACKAGE AS 502179-8

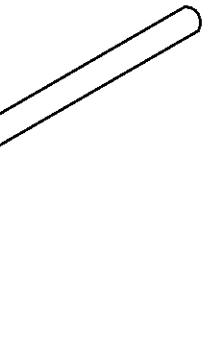
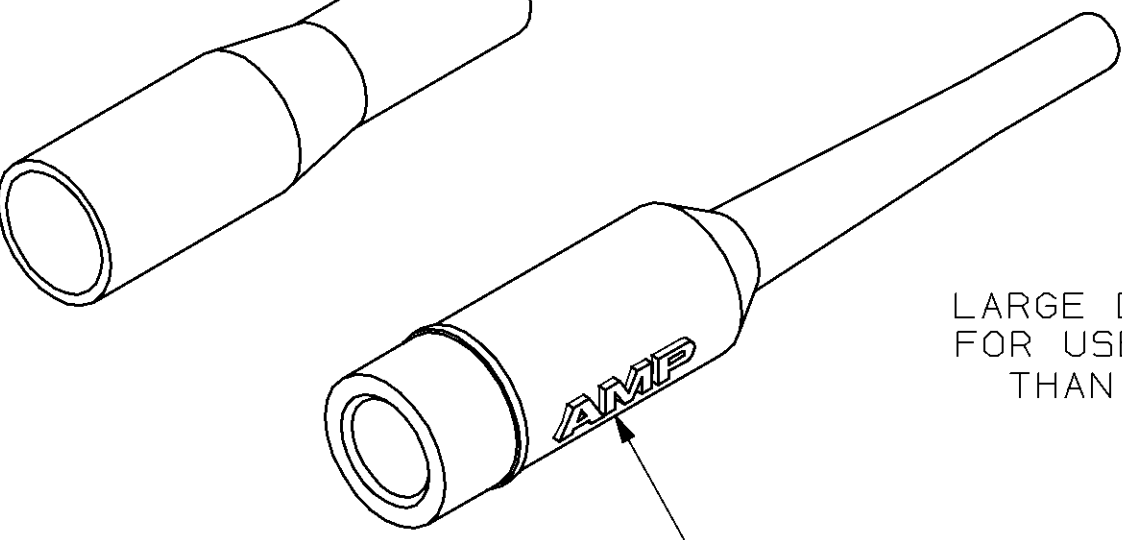
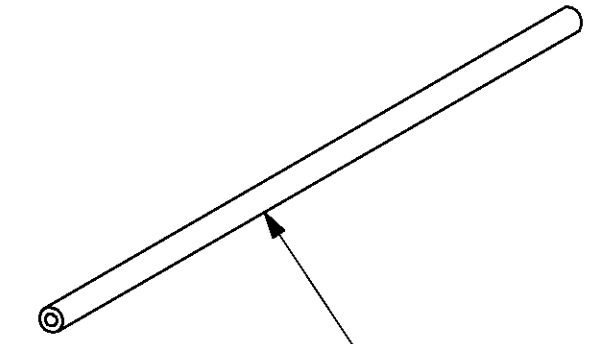
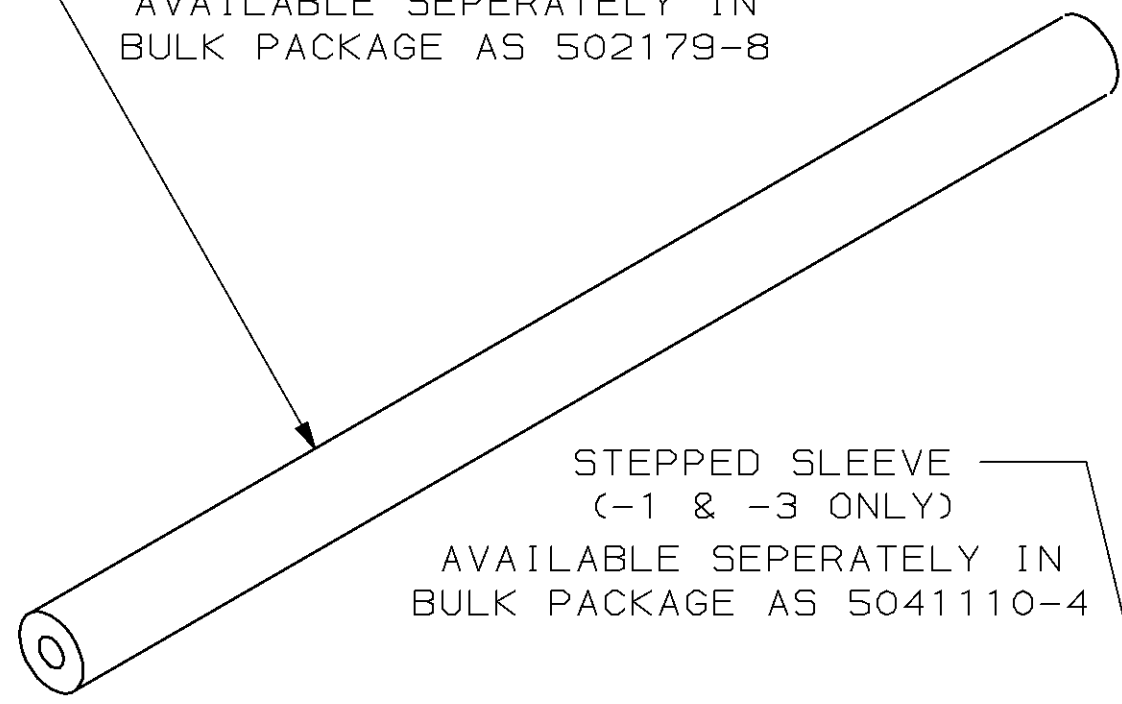
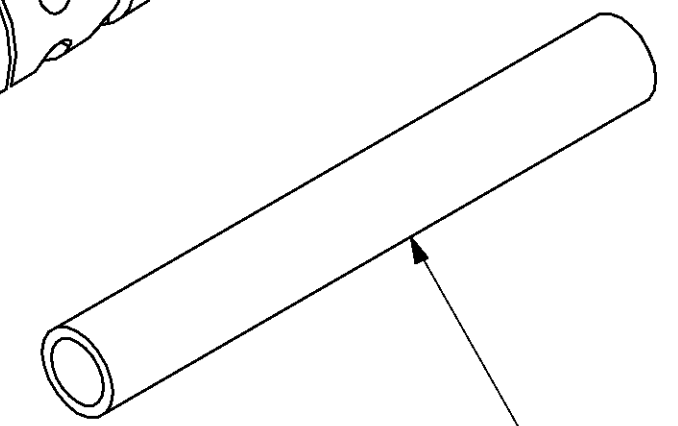
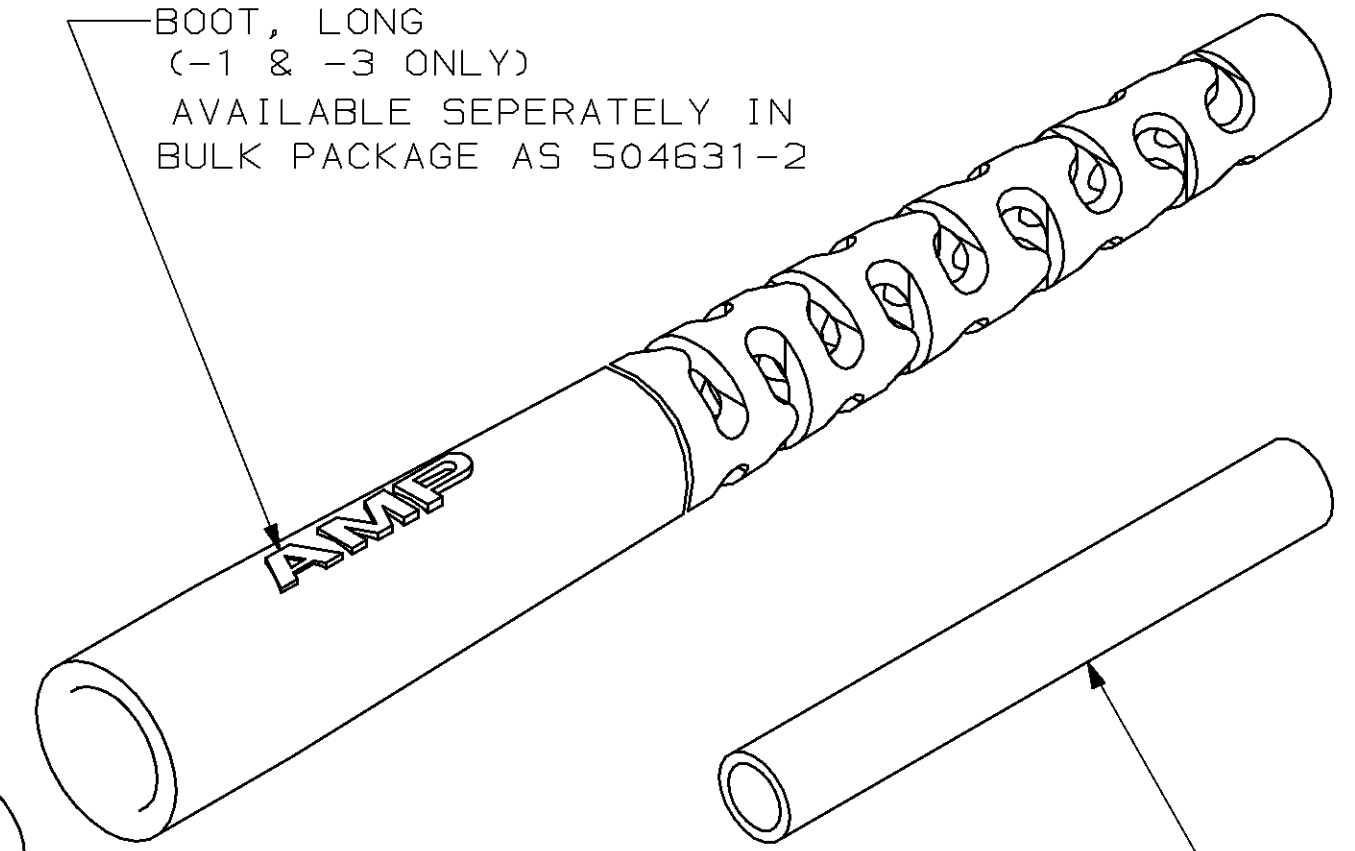
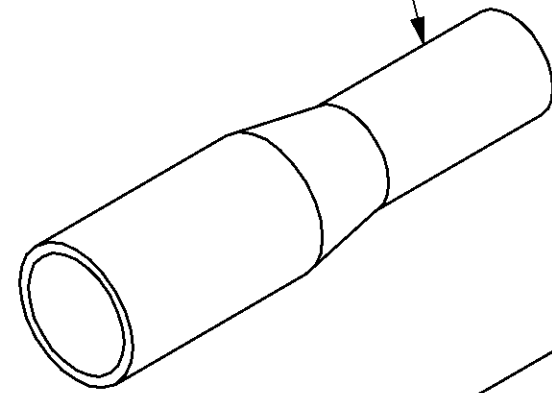
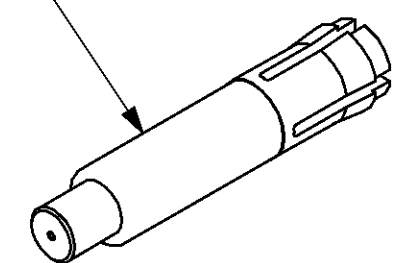
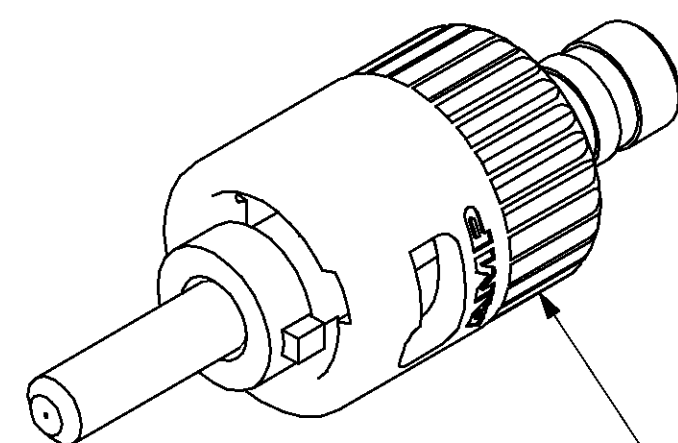
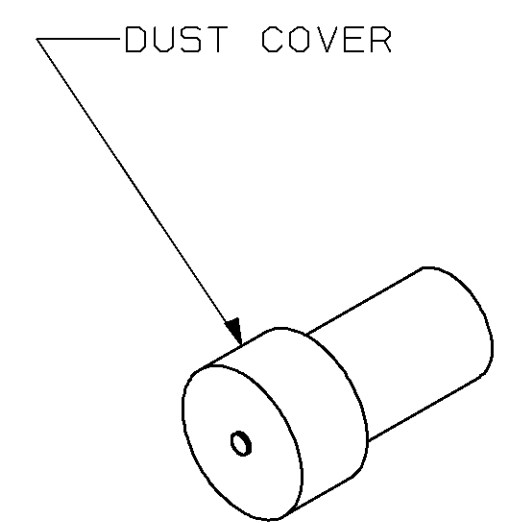
BOOT, LONG
 (-1 & -3 ONLY)
 AVAILABLE SEPERATELY IN
 BULK PACKAGE AS 504631-2

STEPPED SLEEVE
 (-1 & -3 ONLY)
 AVAILABLE SEPERATELY IN
 BULK PACKAGE AS 5041110-4

LARGE DIAMETER BLACK PVC TUBING
 FOR USE WITH CABLE JACKETS LESS
 THAN 2.3 mm (-1 & -3 ONLY)

BOOT, BUFFERED FIBER
 (-1 & -2 ONLY)

TUBING, SMALL DIAMETER
 (-1 ONLY)



STEPPED SLEEVE	BOOT, LONG, BLK	3.0mm JACKETED CABLE	503904-3
-	BOOT, BUFF FIBER, BLK	900µm BUFFERED	503904-2
STEPPED SLEEVE	BOOT, LONG, BLK	3.0mm/900µm/250µm	503904-1
CRIMP SLEEVE	BOOT TYPE	DESCRIPTION	PART NO
DO NOT SCALE PRINT. UNLESS SPECIFIED DIMENSIONS IN mm [INCHES] TOLERANCES ON : 2 PLC DEC ± - 3 PLC DEC ± - ANGLES ± -	DR 2-8-95 D ERDMAN	AMP Incorporated Harrisburg, PA 17105-3608	NAME KIT, CONNECTOR, 125µm LightCrimp XTC SST, BULK PACKAGED
	CHK 2-8-95 J MCKEE		
APPD 2-8-95 J MCKEE			
APPD 2-8-95 B EDWARDS			
MATERIAL	PRODUCT SPEC	SIZE	CAGE CODE
①	-	C	00779
FINISH	APPLICATION SPEC	DRAWING NO	
②	-	C=503904	
	WEIGHT	SCALE	SHEET
	-	-	1 OF 1

THIS DRAWING IS A CONTROLLED DOCUMENT FOR
 AMP INCORPORATED. IT IS SUBJECT TO CHANGE
 AND THE CONTROLLING ENGINEERING ORGANIZATION
 SHOULD BE CONTACTED FOR THE LATEST REVISION.