



Chipsmall Limited consists of a professional team with an average of over 10 year of expertise in the distribution of electronic components. Based in Hongkong, we have already established firm and mutual-benefit business relationships with customers from,Europe,America and south Asia,supplying obsolete and hard-to-find components to meet their specific needs.

With the principle of “Quality Parts,Customers Priority,Honest Operation,and Considerate Service”,our business mainly focus on the distribution of electronic components. Line cards we deal with include Microchip,ALPS,ROHM,Xilinx,Pulse,ON,Everlight and Freescale. Main products comprise IC,Modules,Potentiometer,IC Socket,Relay,Connector.Our parts cover such applications as commercial,industrial, and automotives areas.

We are looking forward to setting up business relationship with you and hope to provide you with the best service and solution. Let us make a better world for our industry!



## Contact us

Tel: +86-755-8981 8866 Fax: +86-755-8427 6832

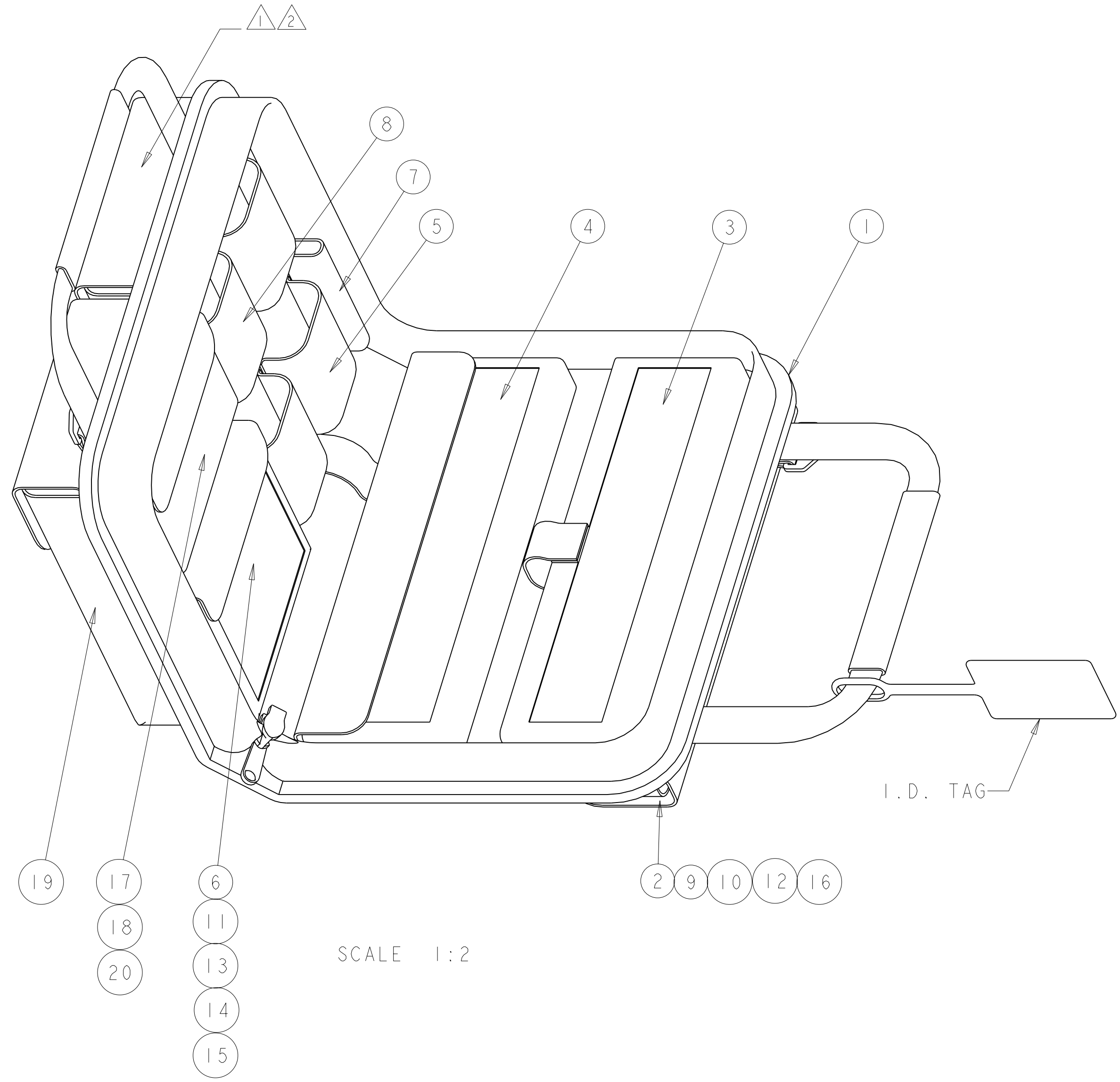
Email & Skype: info@chipsmall.com Web: www.chipsmall.com

Address: A1208, Overseas Decoration Building, #122 Zhenhua RD., Futian, Shenzhen, China



THIS DRAWING IS UNPUBLISHED. RELEASED FOR PUBLICATION  
 © COPYRIGHT 19 BY TYCO ELECTRONICS CORPORATION. ALL RIGHTS RESERVED.

LOC	DIST	REVISIONS					
CE	00	P	LTR	DESCRIPTION	DATE	DWN	APVD
		K		REVISED PER 0A00-0254-02	03APR2002	TA	BE
		L		REVISE PER 0A00-0327-04	15SEP04	KG	DK
		M		REVISE PER 0A00-0601-04	10FEB05	KG	DK
		N		REVISE PER ECR-05-005983	26JUL2005	BB	DK



- △ AMP INSTRUCTION SHEETS AND MANUFACTURERS' INSTRUCTION SHEETS
- △ OPTIONAL SHOULDER STRAP.

SUPERCEDED BY:  
503957-3

14	14	14	ALCOHOL FIBER WIPE	501857-2	20
1	1	-	MICROSCOPE W/10X OBJECTIVE	1754767-1	19
1	1	1	CABLE PREP TEMPLATE (XTC/NeXTC)	503574-1	18
1	1	1	CABLE PREP TEMPLATE (AMP LC SC)	503694-1	17
1	1	1	PAD, POLISH (RECTANGULAR)	504584-1	16
1	1	1	BUSHING, POLISHING, METAL SC	503787-1	15
1	1	1	BUSHING, POLISHING, METAL ST	503337-1	14
1	1	1	BUSHING, POLISHING, BLACK PLASTIC	503304-1	13
1	1	1	POLISHING PAD, CIRCULAR	501523-1	12
2	2	2	BUSHING, POLISHING, PLASTIC SC	502631-1	11
10	10	10	LAPPING FILM, 5um	228433-8	10
10	10	10	LAPPING FILM, .3um	228433-5	9
1	1	1	STRIP TOOL, FIBER, COMBO	1754708-1	8
2	2	2	WRENCH, 1/4 OPEN END	1278422-1	7
1	1	1	CLEAVE TOOL, UNIVERSAL	503705-1	6
1	1	1	KEVLAR SHEARS	1278637-1	5
1	1	1	DIESET, ST	492622-1	4
1	1	1	HAND TOOL, W/DIESET (AMP SC)	492782-1	3
1	1	1	PLATE, POLISH	501197-1	2
1	1	1	PREMIUM SOFTCASE	1278540-1	1
-3	-2	-1	DESCRIPTION	PART NUMBER	ITEM

SCALE 1:2

<small>THIS DRAWING IS A CONTROLLED DOCUMENT FOR TYCO ELECTRONICS CORPORATION. IT IS SUBJECT TO CHANGE AND THE CONTROLLING ENGINEERING ORGANIZATION SHOULD BE CONTACTED FOR THE LATEST REVISION.</small>		DWN T.GREEN 05JAN00 CHK J.SABO 05JAN00 APVD J.SABO 05JAN00	<b>AMP</b> AMP Incorporated Harrisburg, PA 17105-3608
DIMENSIONS: INCHES	TOLERANCES UNLESS OTHERWISE SPECIFIED: 0 PLC ±. 1 PLC ±0.1 2 PLC ±0.02 3 PLC ±0.005 4 PLC ±0.0005 ANGLES ±. FINISH -	NAME <b>TERMINATION KIT, LightCrimp COMBINATION</b>	SIZE A2 CAGE CODE 00779 DRAWING NO C=503957 RESTRICTED TO -
MATERIAL -	FINISH -	WEIGHT -	SCALE 1:2 SHEET 1 OF 1 REV N
CUSTOMER DRAWING			