



Chipsmall Limited consists of a professional team with an average of over 10 year of expertise in the distribution of electronic components. Based in Hongkong, we have already established firm and mutual-benefit business relationships with customers from,Europe,America and south Asia,supplying obsolete and hard-to-find components to meet their specific needs.

With the principle of "Quality Parts,Customers Priority,Honest Operation,and Considerate Service",our business mainly focus on the distribution of electronic components. Line cards we deal with include Microchip,ALPS,ROHM,Xilinx,Pulse,ON,Everlight and Freescale. Main products comprise IC,Modules,Potentiometer,IC Socket,Relay,Connector.Our parts cover such applications as commercial,industrial, and automotives areas.

We are looking forward to setting up business relationship with you and hope to provide you with the best service and solution. Let us make a better world for our industry!



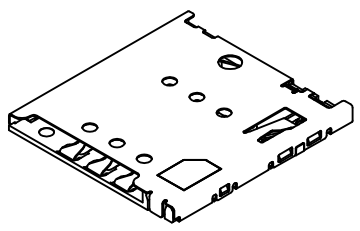
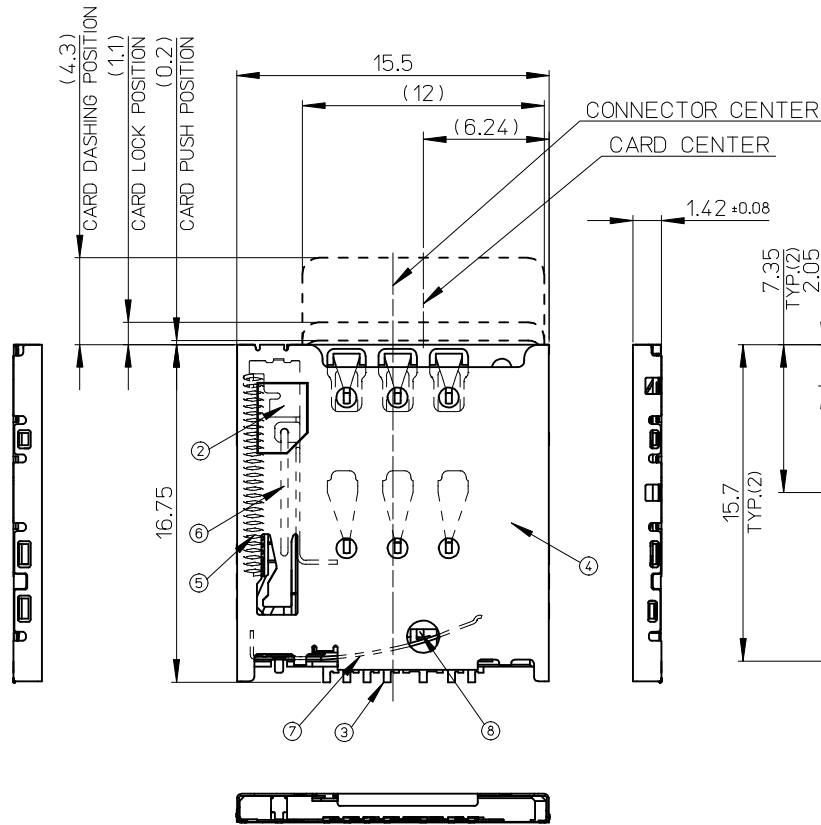
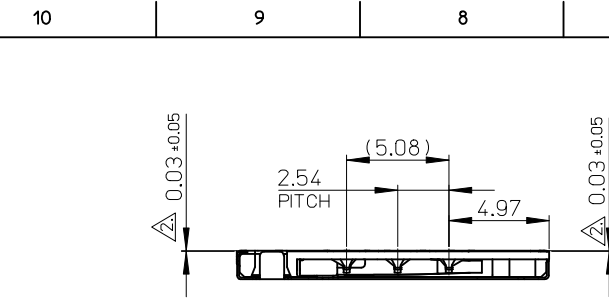
## Contact us

Tel: +86-755-8981 8866 Fax: +86-755-8427 6832

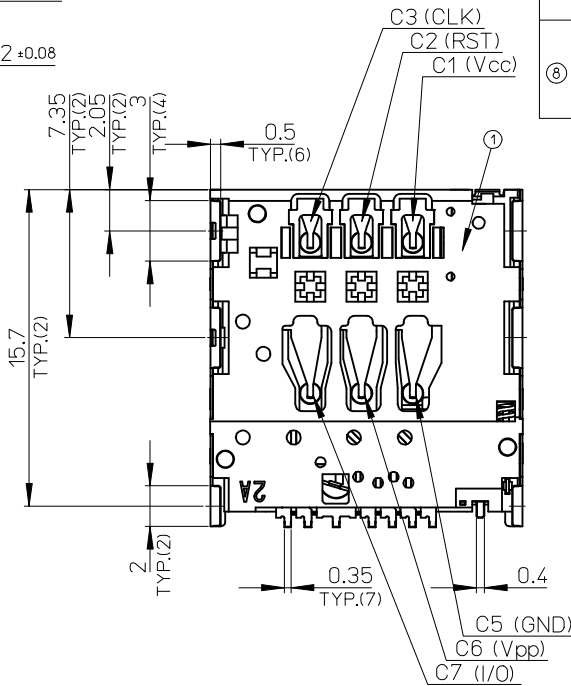
Email & Skype: info@chipsmall.com Web: www.chipsmall.com

Address: A1208, Overseas Decoration Building, #122 Zhenhua RD., Futian, Shenzhen, China





PERSPECTIVE VIEW



| 番号<br>NO. | 名称<br>NAME                     | 材料<br>MATERIAL  | 仕上げ(めっき)<br>FINISHES (PLATING)  |
|-----------|--------------------------------|---|---|
| ①         | ハウジング<br>HOUSING               | 液晶ポリマー(LCP)、ガラス充填、UL94 V-0、黒<br>LIQUID CRYSTAL POLYMER (LCP), GLASS FILLED, UL94 V-0, BLACK |   |
| ②         | スライダ<br>SLIDER                 | ステンレス鋼<br>STAINLESS STEEL   |   |
| ③         | ターミナル<br>TERMINAL              | 燐青銅<br>PHOSPHOR BRONZE  | 接触部:金めっき(0.5μmMIN.)<br>基板実装部:金めっき<br>下地:ニッケルめっき(1.0μmMIN.)<br>CONTACT AREA:GOLD PLATING (0.5 MICROMETER MINIMUM)<br>SOLDER TAIL AREA:GOLD PLATING<br>UNDERPLATE:NICKEL OVERALL (1.0 MICROMETER MINIMUM) |
| ④         | シェル<br>SHELL                   | ステンレス鋼<br>STAINLESS STEEL   | 基板実装部:金フラッシュ<br>下地:ニッケルめっき<br>SOLDER TAIL AREA:GOLD FLUSH<br>UNDERPLATE:NICKEL OVERALL  |
| ⑤         | スプリング<br>SPRING                | ピアノ線<br>SWP   | 全面:ニッケルめっき<br>NICKEL OVERALL  |
| ⑥         | ピン<br>PIN                      | ステンレス鋼<br>STAINLESS STEEL   |   |
| ⑦         | ディテクト<br>レバー<br>DETECT LEVER   | 燐青銅<br>PHOSPHOR BRONZE  | 接触部:金めっき(0.2μmMIN.)<br>基板実装部:金めっき<br>下地:ニッケルめっき(1.0μmMIN.)<br>CONTACT AREA:GOLD PLATING (0.2 MICROMETER MINIMUM)<br>SOLDER TAIL AREA:GOLD PLATING<br>UNDERPLATE:NICKEL OVERALL (1.0 MICROMETER MINIMUM) |
| ⑧         | ディテクト<br>スイッチ<br>DETECT SWITCH | 燐青銅<br>PHOSPHOR BRONZE  | 接触部:金めっき(0.2μmMIN.)<br>基板実装部:金めっき<br>下地:ニッケルめっき(1.0μmMIN.)<br>CONTACT AREA:GOLD PLATING (0.2 MICROMETER MINIMUM)<br>SOLDER TAIL AREA:GOLD PLATING<br>UNDERPLATE:NICKEL OVERALL (1.0 MICROMETER MINIMUM) |

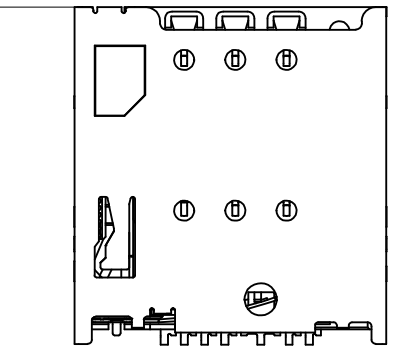
NOTES

- ターミナル及びびネイルの平坦度は 0.08 MAX.  
(測定用定板面を基準)  
TERMINAL AND NAIL COPLANARITY TO BE 0.08 MAX.(FROM GAUGE PLANE)
  - スタンドオフ寸法  
STAND OFF DIMENSION  
本寸法はコネクタ全高に含まれます。  
STAND OFF DIMENSION IS INCLUDED IN THE CONNECTOR TOTAL HEIGHT.
  - パターン禁止エリア PATTERN PROHIBITION AREA
  - カード検知スイッチ DETECT SWITCH
- |                                |            |
|--------------------------------|------------|
| カード挿入時 CARD INSERTING POSITION | オープン OPEN  |
| カード未挿入時 NO CARD                | クローズ CLOSE |
- 肉抜き位置は任意とする。CAVITY IS TO BE OPTIONAL.
  - ロット印字は任意とする。LOT NUMBERING IS TO BE OPTIONAL.
  - ELV及びRoHS 適合品 ELV AND RoHS COMPLIANT.
  - 括弧寸法は、参考値となります。(Dimension) : REFERENCE VALUE

|                  |          |
|------------------|----------|
| 503960-0696      | 6        |
| EMBOSSED PACKAGE | 極数       |
| オーダー番号 ORDER NO. | CIRCUITS |

CONNECTOR SERIES No. 503960-\*\*\*\*

| GENERAL TOLERANCES<br>(UNLESS SPECIFIED)                   |           |       | DIMENSION STYLE<br>MM ONLY |            | SCALE<br>4:1   | DESIGN UNITS<br>METRIC | THIRD ANGLE<br>PROJECTION |  |
|--|-----------|-------|----------------------------|------------|--|------------------------|---------------------------|--|
| 0.25 UNDER   | UNDER     | ±0.03 | DRAWN BY                   | DATE       | TITLE  |                        |                           |  |
| 0.25 OVER  | 0.5 UNDER | ±0.05 | KUSATO                     | 2014/11/14 | MICRO SIM CARD CONN.<br>PUSH/PUSH NORMAL TYPE<br>ASS'Y   |                        |                           |  |
| 0.5 OVER   | 1.0 UNDER | ±0.1  | CHECKED BY                 | DATE       |  |                        |                           |  |
| 1.0 OVER   | 30 UNDER  | ±0.2  | SMARUYAMA                  | 2015/02/05 |  |                        |                           |  |
| 10 OVER  | UNDER     | ±0.25 | APPROVED BY                | DATE       |  |                        |                           |  |
| 30 OVER  |           | ±0.3  | NUKITA                     | 2015/05/14 | MATERIAL NO.   | DOCUMENT NO.           | SHEET NO.                 |  |
| ANGULAR ±1 °   |           |       | SEE CHART                  |            | SD-503960-009  |                        | 1 OF 2                    |  |
| DRAFT WHERE APPLICABLE<br>MUST REMAIN<br>WITHIN DIMENSIONS |           |       | SIZE<br>A3                 |            | THIS DRAWING CONTAINS INFORMATION THAT IS PROPRIETARY TO MOLEX<br>INCORPORATED AND SHOULD NOT BE USED WITHOUT WRITTEN PERMISSION |                        |                           |  |

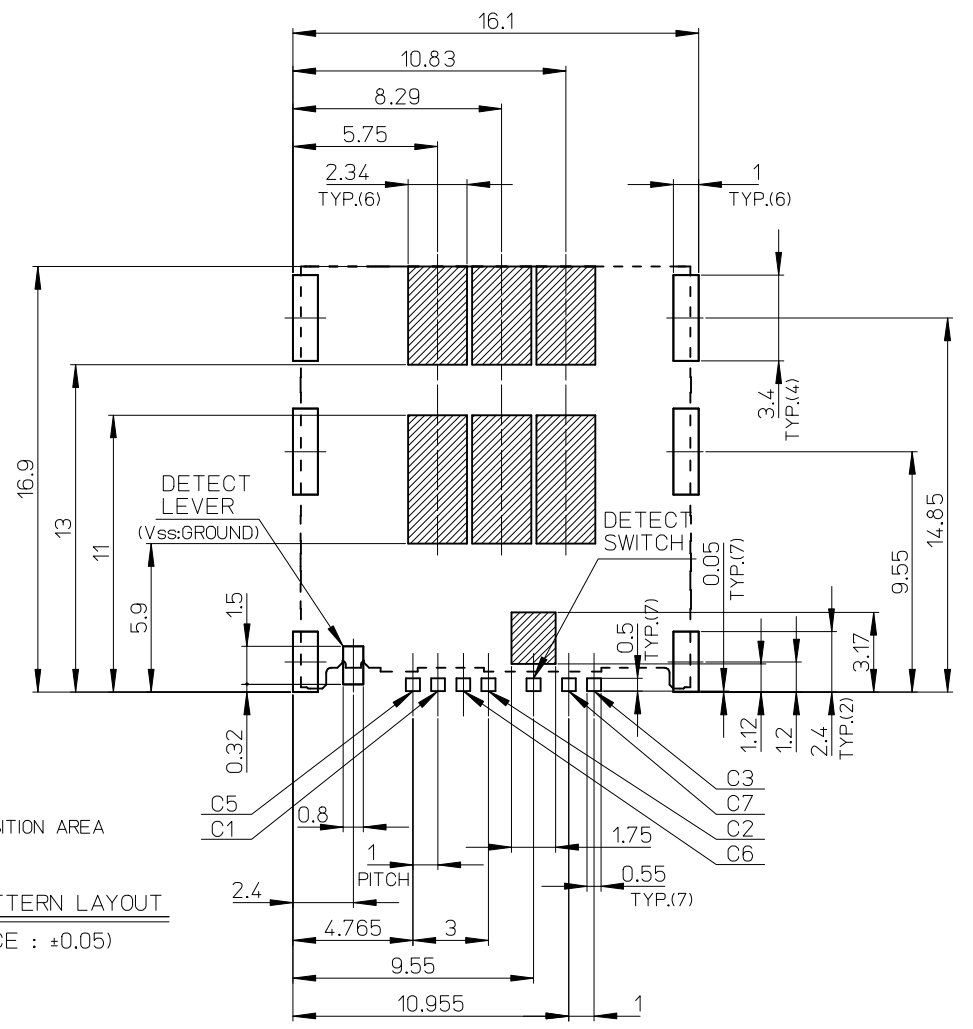


RECOMMENDED CARD STOPPER POSITION



パターン禁止エリア  
PATTERN PROHIBITION AREA

RECOMMENDED PCB PATTERN LAYOUT  
(GENERAL TOLERANCE : ±0.05)



| GENERAL TOLERANCES (UNLESS SPECIFIED) |           |       |
|---------------------------------------|-----------|-------|
| 0.25 UNDER                            | UNDER     | ±0.03 |
| 0.25 OVER                             | 0.5 UNDER | ±0.05 |
| 0.5 OVER                              | 1.0 UNDER | ±0.1  |
| 1.0 OVER                              | 10 UNDER  | ±0.2  |
| 10 OVER                               | 30 UNDER  | ±0.25 |
| 30 OVER                               |           | ±0.3  |
| ANGULAR                               |           | ±1 °  |

| DIMENSION STYLE  |            |
|------------------|------------|
| MM ONLY          |            |
| DRAWN BY         | DATE       |
| KUSATO           | 2014/11/14 |
| CHECKED BY       | DATE       |
| SMARUYAMA        | 2015/02/05 |
| APPROVED BY      | DATE       |
| NUKITA           | 2015/05/14 |
| MATERIAL NO.     |            |
| SEE SHEET 1 OF 2 |            |

| SCALE  | DESIGN UNITS | THIRD ANGLE PROJECTION |
|--|--------------|------------------------|
| ---  | METRIC       |                        |
| TITLE  |              |                        |
| MICRO SIM CARD CONN.<br>PUSH/PUSH NORMAL TYPE<br>ASS'Y |              |                        |
| MATERIAL NO.   |              | SHEET NO.              |
| SD-503960-009  |              | 2 OF 2                 |
| DOCUMENT NO.   |              |                        |
| SD-503960-009  |              |                        |

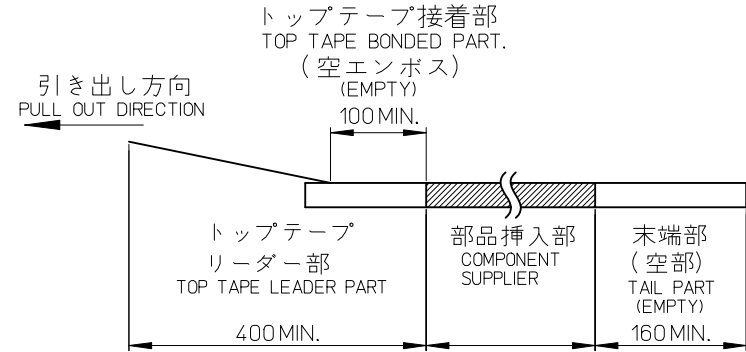
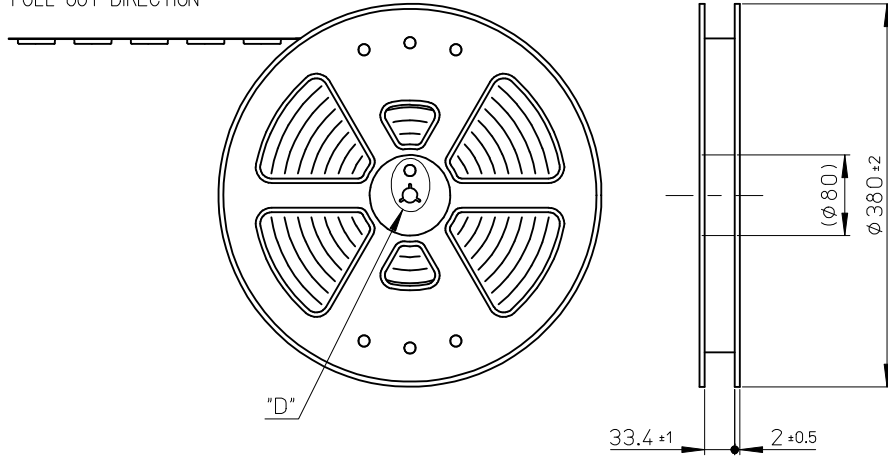
| REV | DESCRIPTION |
|-----|-------------|
| 0   |             |

THIS DRAWING CONTAINS INFORMATION THAT IS PROPRIETARY TO MOLEX INCORPORATED AND SHOULD NOT BE USED WITHOUT WRITTEN PERMISSION

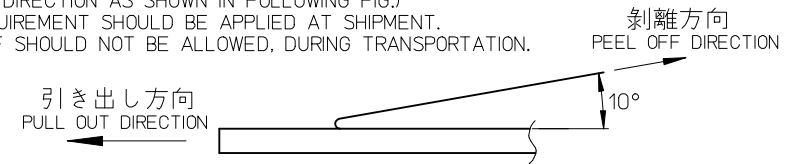
**NOTES**

1. 製品詳細寸法については、コネクタ単体のSD図面を参照下さい。  
RE DETAILED DIMENSION, SEE RSD DRAWING OF ASS'Y.
2. 梱包数量：1600個/リール  
NUMBER OF CONNECTORS：1600 PCS/REEL.
3. リードテープ長さ LEAD TAPE LENGTH.

引き出し方向  
PULL OUT DIRECTION

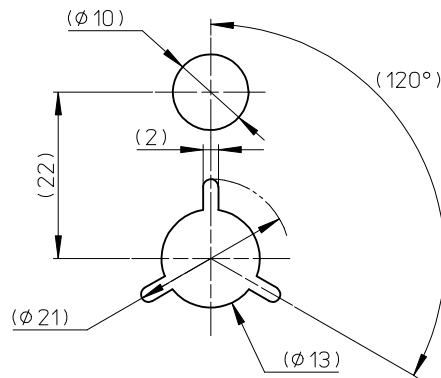


4. トップテープの剥離強度：JIS C0806-3に準拠(剥離方向は下図参照)尚、本規格値は出荷時に適用。(但し、輸送時に剥離が発生しないこと。)  
PEELING OFF FORCE OF TOP TAPE：BASED UPON JIS C0806-3 (PEELING DIRECTION AS SHOWN IN FOLLOWING FIG.) THIS REQUIREMENT SHOULD BE APPLIED AT SHIPMENT. PEEL OFF SHOULD NOT BE ALLOWED, DURING TRANSPORTATION.



5. 材料 MATERIAL

キャリアテープ (CARRIER TAPE)：ポリスチレン (POLYSTYRENE)  
 トップテープ (TOP TAPE)：PET, PE, PEF  
 リール (REEL)：ポリスチレン (PS) <リサイクル材含む>  
 POLYSTYRENE (PS) <RECYCLE MATERIAL CONTAINED>

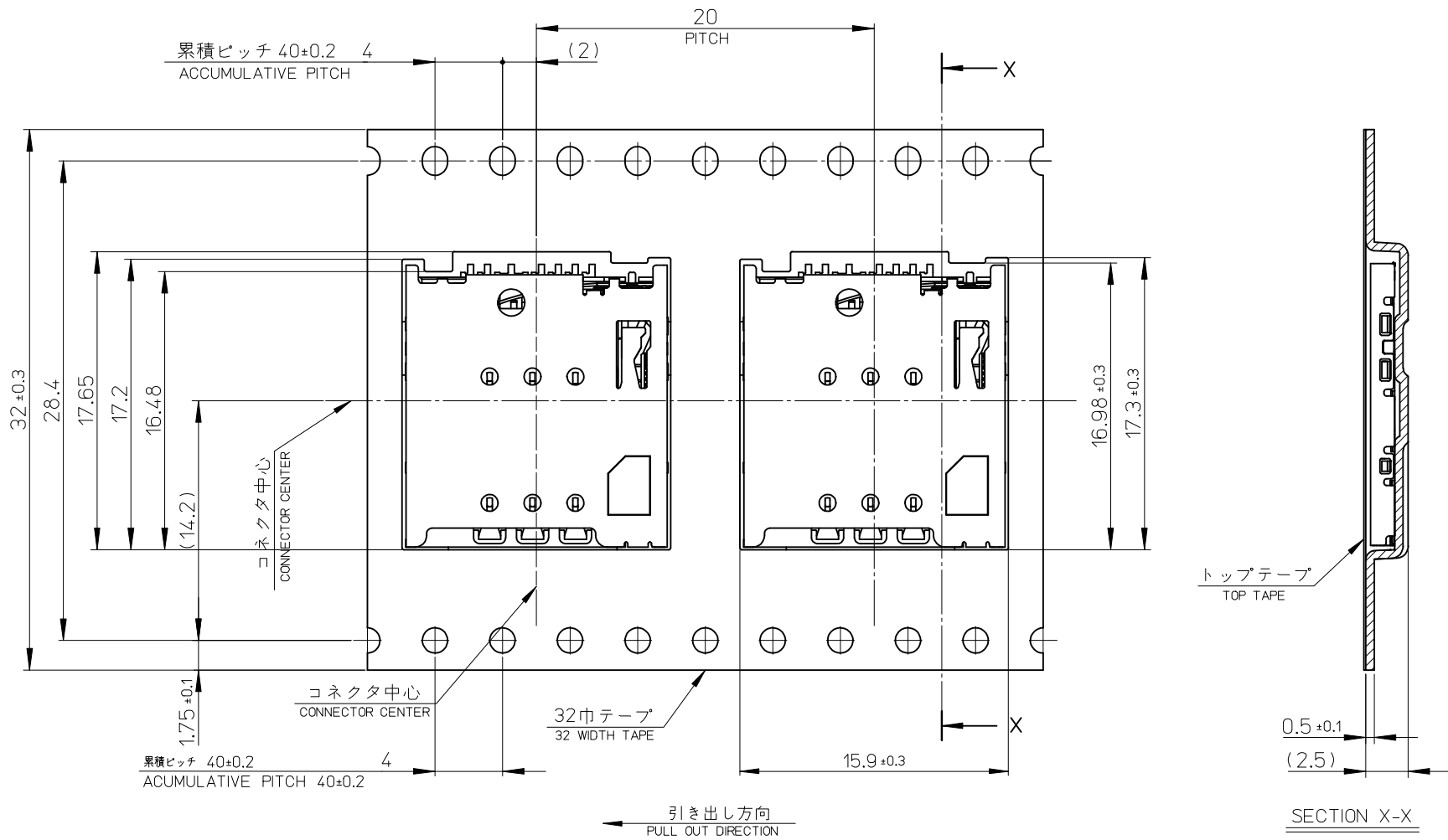


DETAIL "D"

|                                  |          |
|----------------------------------|----------|
| 503960-0696                      | 6        |
| EMBOSSED PACKAGE                 | 極数       |
| オーダー番号 ORDER NO.                 | CIRCUITS |
| CONNECTOR SERIES No. 503960-**** |          |

|  |                                       |           |  |                            |   |   |                        |                        |
|--|---------------------------------------|-----------|--|----------------------------|---|---|------------------------|------------------------|
| RELEASED<br>EC NO.: J2015-1505<br>DRW: KUSATO 2015/02/05<br>CHK'D: SMARUYAMA 2015/02/05<br>APPR: NUKITA 2015/05/14 | GENERAL TOLERANCES (UNLESS SPECIFIED) |           |  | DIMENSION STYLE<br>MM ONLY |   | SCALE<br>---  | DESIGN UNITS<br>METRIC | THIRD ANGLE PROJECTION |
|  | 0.25 UNDER                            | UNDER     | ± 0.03   | DRAWN BY<br>KUSATO         | DATE<br>2015/02/05  | TITLE<br>MICRO SIM CARD CONN.<br>PUSH/PUSH NORMAL TYPE<br>EMBOSSED TAPE PACKAGE |                        |                        |
|  | 0.25 OVER                             | 0.5 UNDER | ± 0.05   | CHECKED BY<br>SMARUYAMA    | DATE<br>2015/02/05  | <b>molex</b><br>DOCUMENT NO. SD-503960-010<br>SHEET NO. 1 OF 2                  |                        |                        |
|  | 0.5 OVER                              | 1.0 UNDER | ± 0.1  | APPROVED BY<br>NUKITA      | DATE<br>2015/05/14  |   |                        |                        |
|  | 1.0 OVER                              | 10 UNDER  | ± 0.2  | MATERIAL NO.               |   | SEE CHART   |                        |                        |
| 10 OVER  | 30 UNDER                              | ± 0.25    | SIZE<br>A3   |                            | THIS DRAWING CONTAINS INFORMATION THAT IS PROPRIETARY TO MOLEX INCORPORATED AND SHOULD NOT BE USED WITHOUT WRITTEN PERMISSION |   |                        |                        |
| 30 OVER  |                                       | ± 0.3     | DRAFT WHERE APPLICABLE MUST REMAIN WITHIN DIMENSIONS |                            |   |   |                        |                        |
| ANGULAR  | ± 1 °                                 |           |  |                            |   |   |                        |                        |

10 9 8 7 6 5 4 3 2 1



|   |                                       |           |  |                                  |  |   |                        |                        |
|---|---------------------------------------|-----------|--|----------------------------------|--|---|------------------------|------------------------|
| SEE SHEET 1 OF 2<br>EC NO.: J2015-1505<br>DRW: KUSATO 2015/02/05<br>CHKD: SMARUYAMA 2015/02/05<br>APPR: NUKITA 2015/05/14 | GENERAL TOLERANCES (UNLESS SPECIFIED) |           |  | DIMENSION STYLE<br>MM ONLY       |  | SCALE<br>---  | DESIGN UNITS<br>METRIC | THIRD ANGLE PROJECTION |
|   | 0.25 UNDER                            | UNDER     | ±0.03  | DRAWN BY<br>KUSATO               | DATE<br>2015/02/05   | TITLE<br>MICRO SIM CARD CONN.<br>PUSH/PUSH NORMAL TYPE<br>EMBOSSED TAPE PACKAGE |                        |                        |
|   | 0.25 OVER                             | 0.5 UNDER | ±0.05  | CHECKED BY<br>SMARUYAMA          | DATE<br>2015/02/05   | <b>molex</b><br>DOCUMENT NO. SD-503960-010<br>SHEET NO. 2 OF 2                  |                        |                        |
|   | 0.5 OVER                              | 1.0 UNDER | ±0.1   | APPROVED BY<br>NUKITA            | DATE<br>2015/05/14   |   |                        |                        |
|   | 1.0 OVER                              | 30 UNDER  | ±0.2   | MATERIAL NO.<br>SEE SHEET 1 OF 2 |  |   |                        |                        |
| 10 OVER   | 30 UNDER                              | ±0.25     | SIZE<br>A3   |                                  | THIS DRAWING CONTAINS INFORMATION THAT IS PROPRIETARY TO MOLEX<br>INCORPORATED AND SHOULD NOT BE USED WITHOUT WRITTEN PERMISSION |   |                        |                        |
| 30 OVER   |                                       | ±0.3      | DRAFT WHERE APPLICABLE<br>MUST REMAIN<br>WITHIN DIMENSIONS |                                  |  |   |                        |                        |
| ANGULAR   | ±1 °                                  |           |  |                                  |  |   |                        |                        |

9 8 7 6 5 4 3 2 1