



Chipsmall Limited consists of a professional team with an average of over 10 year of expertise in the distribution of electronic components. Based in Hongkong, we have already established firm and mutual-benefit business relationships with customers from,Europe,America and south Asia,supplying obsolete and hard-to-find components to meet their specific needs.

With the principle of "Quality Parts,Customers Priority,Honest Operation,and Considerate Service",our business mainly focus on the distribution of electronic components. Line cards we deal with include Microchip,ALPS,ROHM,Xilinx,Pulse,ON,Everlight and Freescale. Main products comprise IC,Modules,Potentiometer,IC Socket,Relay,Connector.Our parts cover such applications as commercial,industrial, and automotives areas.

We are looking forward to setting up business relationship with you and hope to provide you with the best service and solution. Let us make a better world for our industry!



Contact us

Tel: +86-755-8981 8866 Fax: +86-755-8427 6832

Email & Skype: info@chipsmall.com Web: www.chipsmall.com

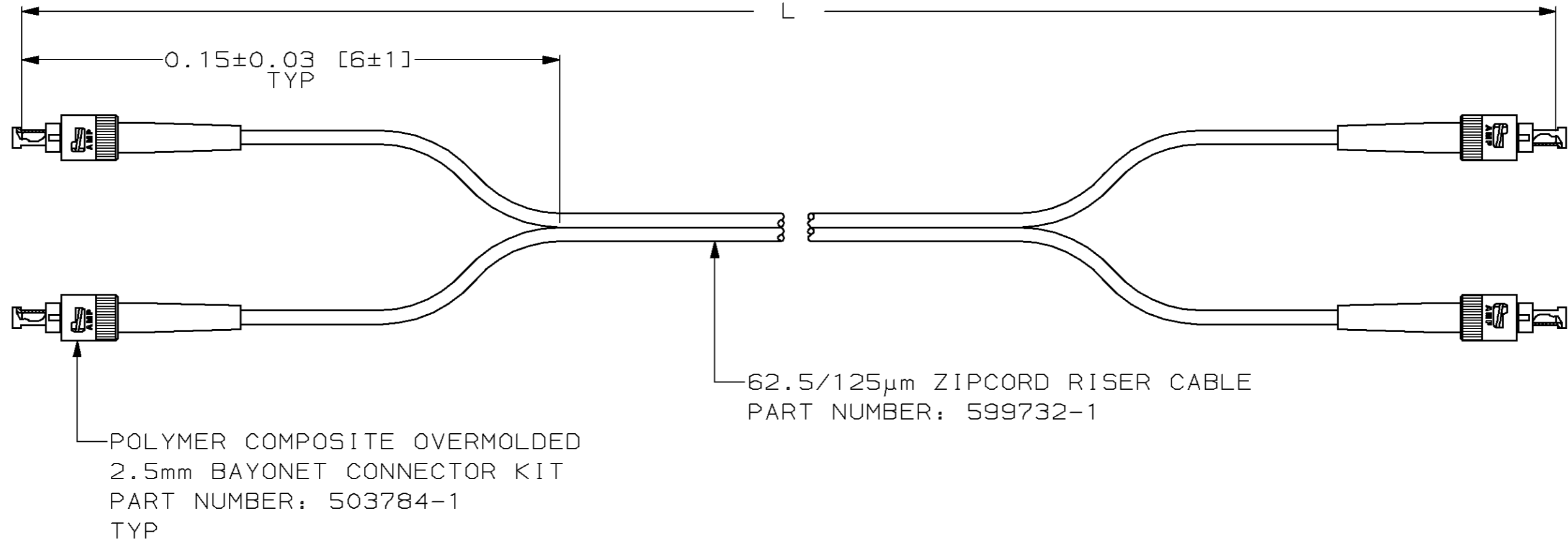
Address: A1208, Overseas Decoration Building, #122 Zhenhua RD., Futian, Shenzhen, China



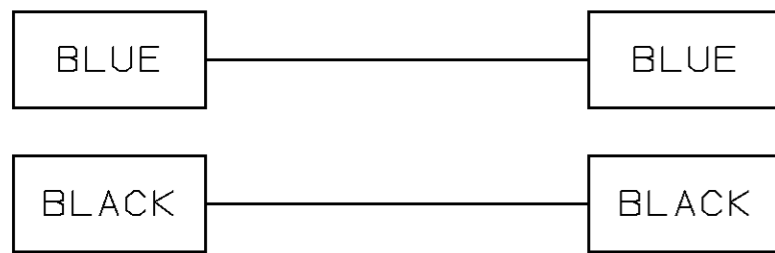
THIS DRAWING IS UNPUBLISHED. RELEASED FOR PUBLICATION ,19 .
 © COPYRIGHT 19 BY AMP INCORPORATED. ALL RIGHTS RESERVED.

LOC	DIST	REVISIONS			
P	LTR	DESCRIPTION	DATE	DWN	APVD
CE	16	D	REVISE PER 0A00-0639-98	05NOV98	CK MK

1. DIMENSIONS IN [] ARE IN INCHES.



10±0.15 [394±6]	503994-5
5±0.08 [197±3]	503994-4
3±0.05 [118±2]	503994-3
2±0.05 [79±2]	503994-2
1±0.05 [39±2]	503994-1
L	PART NUMBER



FIBER PATH SCHEMATIC

THIS DRAWING IS A CONTROLLED DOCUMENT FOR AMP INCORPORATED. IT IS SUBJECT TO CHANGE AND THE CONTROLLING ENGINEERING ORGANIZATION SHOULD BE CONTACTED FOR THE LATEST REVISION.		DWN S.URICH 08MAY95	AMP Incorporated Harrisburg, PA 17105-3608	
DIMENSIONS: METERS	TOLERANCES UNLESS OTHERWISE SPECIFIED:	CHK R.PAUL 19MAY95	NAME CABLE ASSEMBLY, FIBER OPTIC, 62.5/125µm ZIPCORDER RISER, POLYMER COMPOSITE OVERMOLDED 2.5mm BAYONET, OPTIMATE®	
	0 PLC ±-	APVD N.MILLER 19MAY95	PRODUCT SPEC	
	1 PLC ±-	APPLICATION SPEC	-	
MATERIAL	FINISH	WEIGHT	SIZE A3	CAGE CODE 00779
-	-	-	DRAWING NO C-503994	
CUSTOMER DRAWING			SCALE NTS	SHEET 1 OF 1
			REV D	