



Chipsmall Limited consists of a professional team with an average of over 10 year of expertise in the distribution of electronic components. Based in Hongkong, we have already established firm and mutual-benefit business relationships with customers from,Europe,America and south Asia,supplying obsolete and hard-to-find components to meet their specific needs.

With the principle of “Quality Parts,Customers Priority,Honest Operation,and Considerate Service”,our business mainly focus on the distribution of electronic components. Line cards we deal with include Microchip,ALPS,ROHM,Xilinx,Pulse,ON,Everlight and Freescale. Main products comprise IC,Modules,Potentiometer,IC Socket,Relay,Connector.Our parts cover such applications as commercial,industrial, and automotives areas.

We are looking forward to setting up business relationship with you and hope to provide you with the best service and solution. Let us make a better world for our industry!



Contact us

Tel: +86-755-8981 8866 Fax: +86-755-8427 6832

Email & Skype: info@chipsmall.com Web: www.chipsmall.com

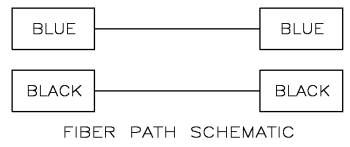
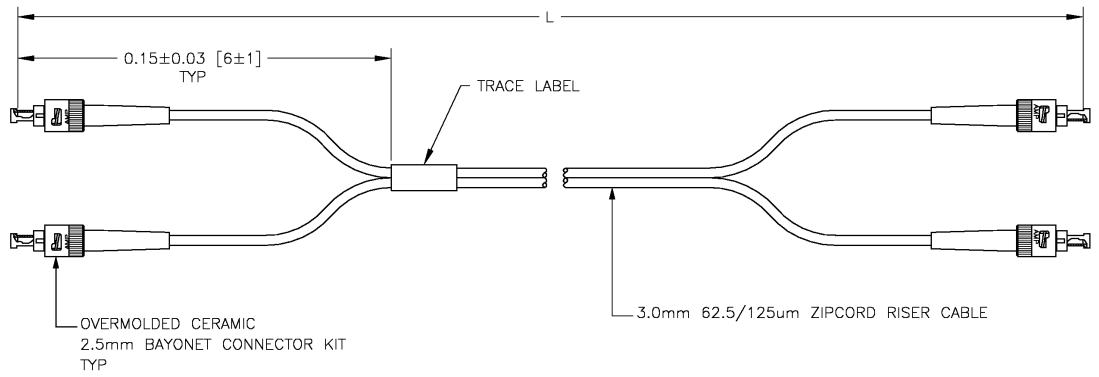
Address: A1208, Overseas Decoration Building, #122 Zhenhua RD., Futian, Shenzhen, China



THIS DRAWING IS UNPUBLISHED. RELEASED FOR PUBLICATION
 COPYRIGHT BY TYCO ELECTRONICS CORPORATION. ALL RIGHTS RESERVED.

LOC	DIST	REVISIONS			
#	LTR	DESCRIPTION	DATE	OWN	APVD
CE	16	N	REVISE PER 0A40-0408-03	28OCT03	JWD JD

1. 0.8 dB MAX INSERTION LOSS.



50.0±0.50	[1969.0±20.00]	5-503995-0
30.0±0.30	[1181.0±12.00]	3-503995-0
20.0±0.30	[787.0±12.00]	2-503995-1
4.00±0.08	[157.5±3.00]	2-503995-0
18.29±0.30	[720.00±12.00]	1-503995-9
14±0.15	[551±6]	1-503995-8
13±0.15	[512±6]	1-503995-7
11±0.15	[433±6]	1-503995-6
15.24±0.30	[600±12]	1-503995-5
12.19±0.15	[480±6]	1-503995-4
7.92±0.15	[312±6]	1-503995-3
6.10±0.08	[240.0±3.0]	1-503995-2
3.66±0.08	[144.0±3.0]	1-503995-1
1.22±0.05	[48.0±2.0]	1-503995-0
0.91±0.05	[36.0±2.0]	503995-9
0.61±0.03	[24.0±1.0]	503995-8
0.30±0.03	[12.0±1.0]	503995-7
7.5±0.08	[295±3]	503995-6
10±0.15	[394±6]	503995-5
5±0.08	[197±3]	503995-4
3±0.05	[118±2]	503995-3
2±0.05	[79±2]	503995-2
1±0.05	[39±2]	503995-1
L		PART NUMBER

THIS DRAWING IS A CONTROLLED DOCUMENT.		28APR99	Tyco Electronics Corporation Harrisburg Pa. 17105-3608	
DIMENSIONS: METERS [INCHES]		0 PLC ± - 1 PLC ± - 2 PLC ± - 3 PLC ± - 4 PLC ± - ANGLES ± -	FINISH	RESTRICTED TO
TOLERANCES UNLESS OTHERWISE SPECIFIED:		0 PLC ± - 1 PLC ± - 2 PLC ± - 3 PLC ± - 4 PLC ± - ANGLES ± -	APVD: S. LURICH 19MAY95 R. PAUL 19MAY95	NAME: N. MILLER 19MAY95
MATERIAL		WEIGHT	SIZE: A2	GAGE CODE: 00779
CUSTOMER DRAWING		SCALE: 1:1	DRWING NO: 503995	
		SHEET: 1	REV: N	