



Chipsmall Limited consists of a professional team with an average of over 10 year of expertise in the distribution of electronic components. Based in Hongkong, we have already established firm and mutual-benefit business relationships with customers from,Europe,America and south Asia,supplying obsolete and hard-to-find components to meet their specific needs.

With the principle of “Quality Parts,Customers Priority,Honest Operation,and Considerate Service”,our business mainly focus on the distribution of electronic components. Line cards we deal with include Microchip,ALPS,ROHM,Xilinx,Pulse,ON,Everlight and Freescale. Main products comprise IC,Modules,Potentiometer,IC Socket,Relay,Connector.Our parts cover such applications as commercial,industrial, and automotives areas.

We are looking forward to setting up business relationship with you and hope to provide you with the best service and solution. Let us make a better world for our industry!



Contact us

Tel: +86-755-8981 8866 Fax: +86-755-8427 6832

Email & Skype: info@chipsmall.com Web: www.chipsmall.com

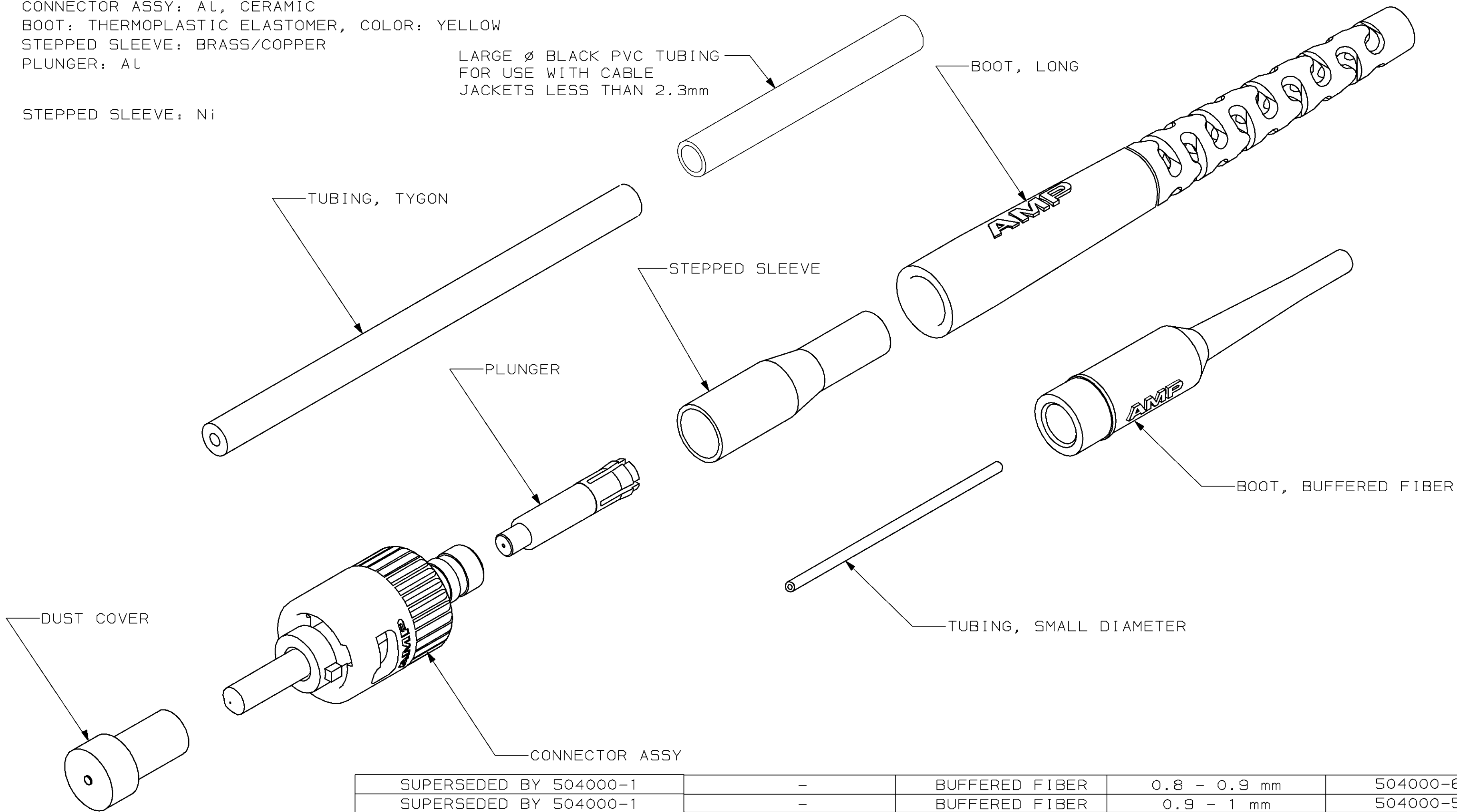
Address: A1208, Overseas Decoration Building, #122 Zhenhua RD., Futian, Shenzhen, China



LOC	DIST	P	F	ZONE	LTR	DESCRIPTION	DATE	APPD
CE	16				H	REV PER 0A00-0296-97	6-23-97	DDE

- ① CONNECTOR ASSY: AL, CERAMIC
 BOOT: THERMOPLASTIC ELASTOMER, COLOR: YELLOW
 STEPPED SLEEVE: BRASS/COPPER
 PLUNGER: AL
- ② STEPPED SLEEVE: Ni

LARGE Ø BLACK PVC TUBING FOR USE WITH CABLE JACKETS LESS THAN 2.3mm



SUPERSEDED BY 504000-1	-	BUFFERED FIBER	0.8 - 0.9 mm	504000-6
SUPERSEDED BY 504000-1	-	BUFFERED FIBER	0.9 - 1 mm	504000-5
OBSOLETE	STEPPED SLEEVE	LONG	500µm	504000-4
SUPERSEDED BY 504000-1	-	BUFFERED FIBER	250µm	504000-3
SUPERSEDED BY 504000-1	STEPPED SLEEVE	LONG	0.8 - 0.9 mm	504000-2
SUPERSEDED BY 504000-1	STEPPED SLEEVE	BUFFERED/LONG	250µm/ 0.8 - 1.0 mm	504000-1
	CRIMP SLEEVE	BOOT TYPE	BUFFER SIZE	PART NO

DO NOT SCALE PRINT. UNLESS SPECIFIED DIMENSIONS IN mm [INCHES] TOLERANCES ON:
 2 PLC DEC ± -
 3 PLC DEC ± -
 ANGLES ± -

DR 8-29-92 D ERDMAN	AMP AMP Incorporated Harrisburg, PA 17105-3608
CHK 8-29-92 B EDWARDS	
APPD 9-21-92 S GRINDERSLEV	
APPD 8-29-92 K MONROE	
MATERIAL	NAME
①	KIT, CONNECTOR, 125µm 2.5mm BAYONET, XTC SINGLEMODE
FINISH	SIZE
②	C
	APPLICATION SPEC
	-
WEIGHT	SCALE
-	-

CAGE CODE	DRAWING NO
00779	G=504000
SHEET	1 OF 1

THIS DRAWING IS A CONTROLLED DOCUMENT FOR AMP INCORPORATED. IT IS SUBJECT TO CHANGE AND THE CONTROLLING ENGINEERING ORGANIZATION SHOULD BE CONTACTED FOR THE LATEST REVISION.